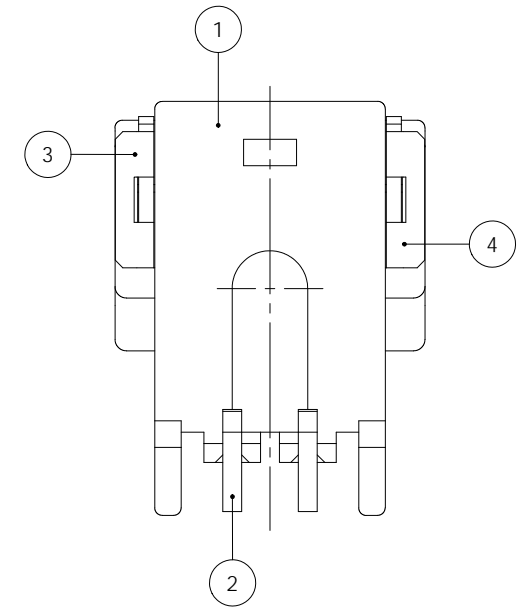
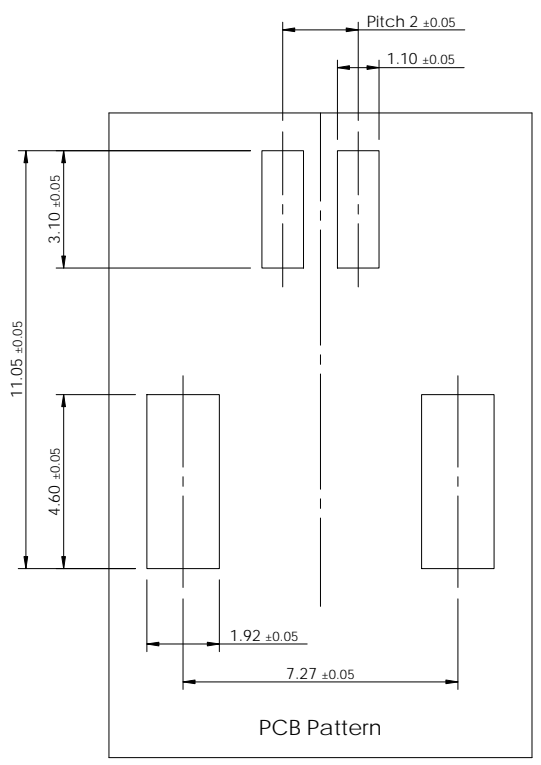
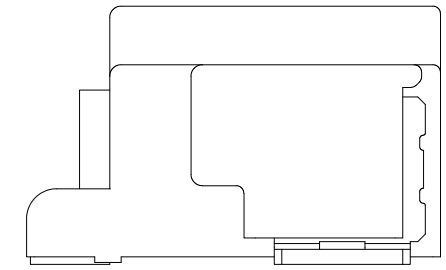
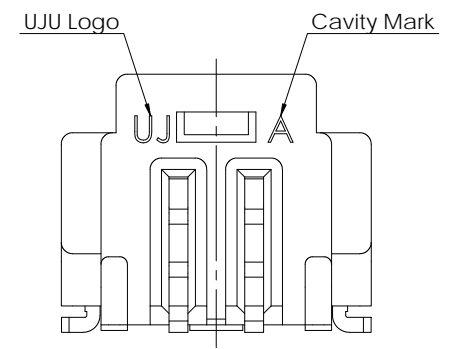
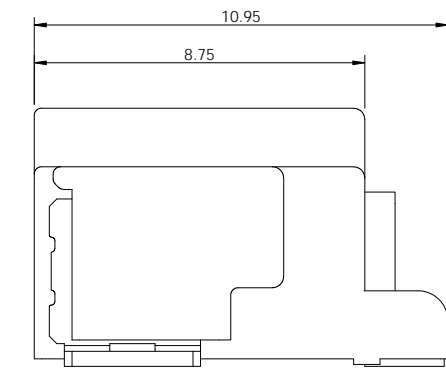
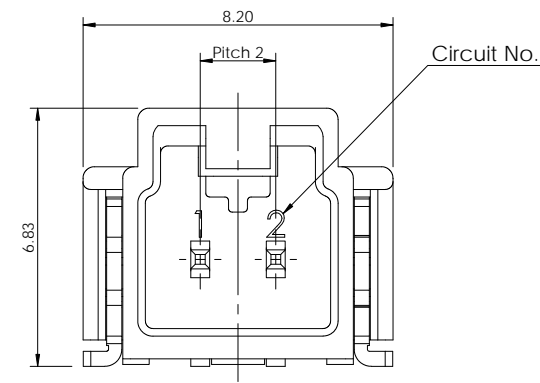
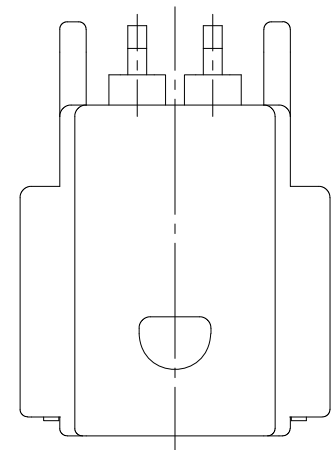
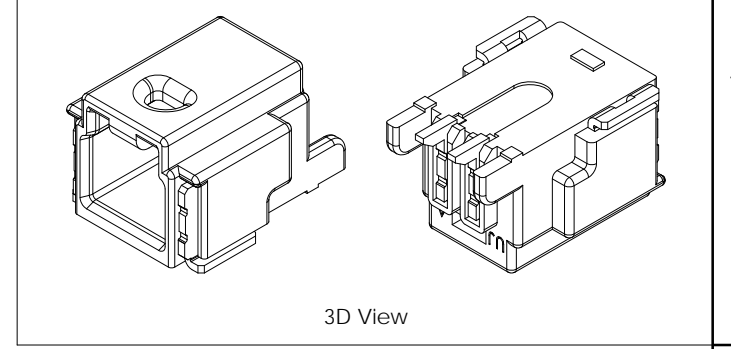


REV	REVISION RECORD	DATE	DRWN	CHKD	APVD
A	RELEASED	22 APR '19	JK	KH	CY
B	REVISED	23 OCT '19	JK	KH	CY



-Note-
1. General Tolerance : ±0.30

No.	Description	Material	Finish / Color	Q'ty	KH1700138-60	KH1700138-20	KH1700138-10	Ass'y Part No.
4	020 S SMT Solder Peg HZT-R	Copper Alloy	Post-Tin	1	1	1	1	
3	020 S SMT Solder Peg HZT-L	Copper Alloy	Post-Tin	1	1	1		
2	020 S SMT Tab TML HZT	Copper Alloy	Post-Tin	2	2	2		
1	020_S_BL_SMT_2M_H_HSG	PA9T-GF30	Red (B)	1	-	-		
			Black	-	1	-		
			Natural	-	-	1		

TOLERANCES UNLESS OTHERWISE SPECIFIED	0	±	THIRD ANGLE PROJECTION	DRWN	JK. HWANG	NAME	(주)우주 일렉트로닉스 UJU Electronics co.,Ltd.			
	0.0	±		CHKD	KH. PARK					020_S_BL_SMT_2M_H_ASSY
ANGLES	0.00	±		APVD	CY. CHOI	CUSTOMER DRAWING	KH1700138 DRAWING NO.			
	0.000	±		MATERIAL	SEE TABLE					LOC
PRODUCT SPEC	0.0000	±	APPLICATION SPEC	WEIGHT		LOC	RESTRICTED TO	SIZE	SCALE	SHEET
		±				REV				