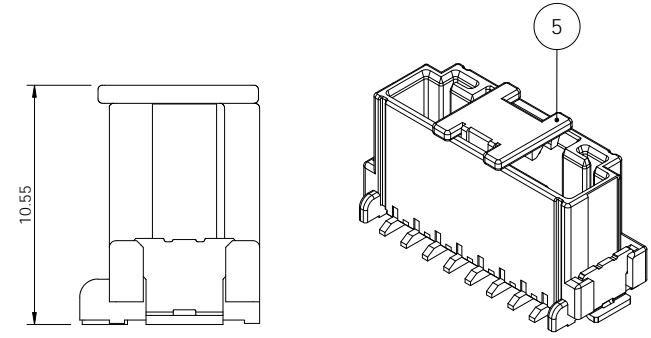
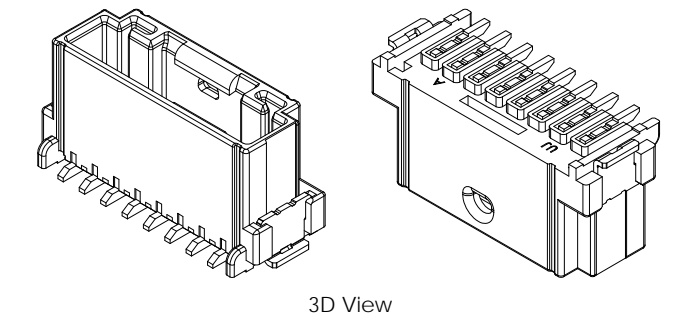


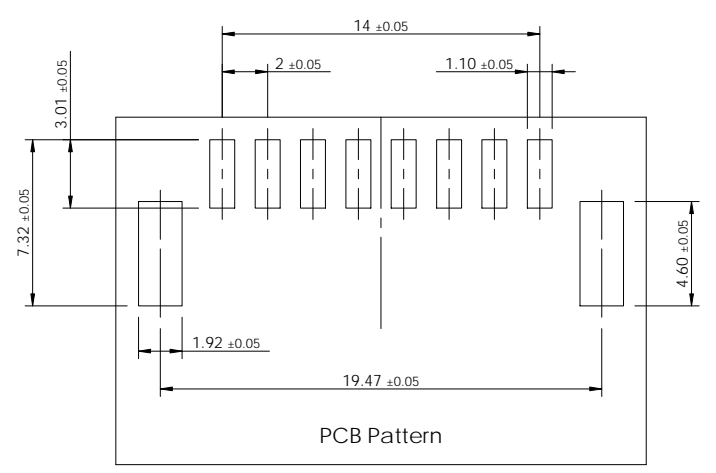
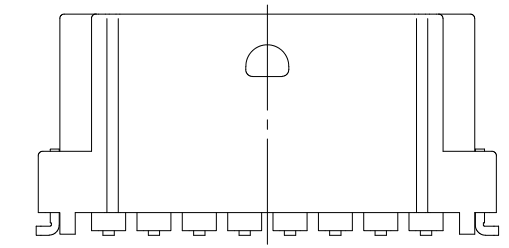
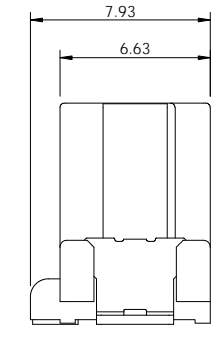
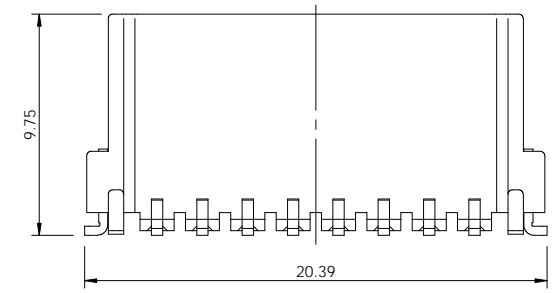
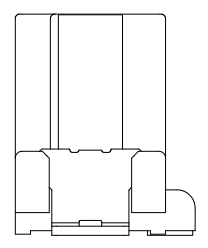
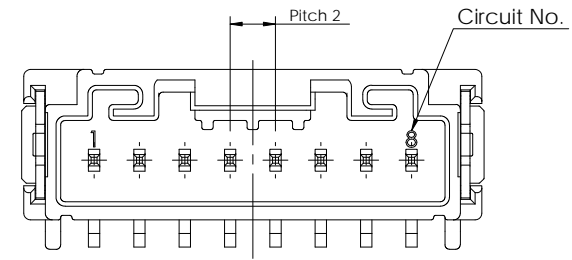
REV	REVISION RECORD	DATE	DRWN	CHKD	APVD
A	RELEASED	02 JUL '19	JK	KH	CY



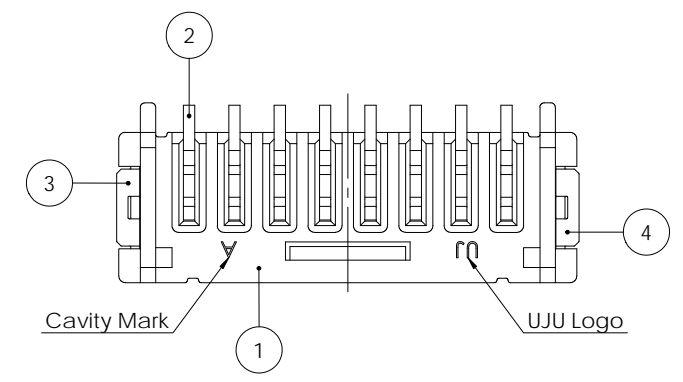
Delivery Condition (Cover Assembly)



3D View



PCB Pattern



-Note-
1. General Tolerance : ±0.30

No.	Description	Material	Finish / Color	Q'ty	Ass'y Part No.
5	020_S_BL_SMT_Cover	PA9T-GF30	Black	1	1
4	020 S SMT Solder Peg VTC-R	Copper Alloy	Post-Tin	1	1
3	020 S SMT Solder Peg VTC-L	Copper Alloy	Post-Tin	1	1
2	020 S SMT Tab TML VTC	Copper Alloy	Post-Tin	8	8
1	020_S_BL_SMT_8M_V_HSG	PA9T-GF30	Black	1	-
			Natural	-	1

KH1700136-20	KH1700136-10	Ass'y Part No.
--------------	--------------	----------------

TOLERANCES UNLESS OTHERWISE SPECIFIED	UNIT MM
0 ±	THD ANGLE PROJECTION
0.0 ±	ANGLES
0.00 ±	PRODUCT SPEC
0.000 ±	APPLICATION SPEC
0.0000 ±	

DRWN JK. HWANG	CHKD KH. PARK	APVD CY. CHOI
MATERIAL SEE TABLE	FINISH/COLOR SEE TABLE	WEIGHT

 (주)우주 일렉트로닉스 UJU Electronics co.,Ltd.	
NAME 020_S_BL_SMT_8M_V_ASSY	
CUSTOMER DRAWING	DRAWING NO KH1700136
LOC RESTRICTED TO	SIZE A3
SCALE 3:1	SHEET 1 of 1
REV A	