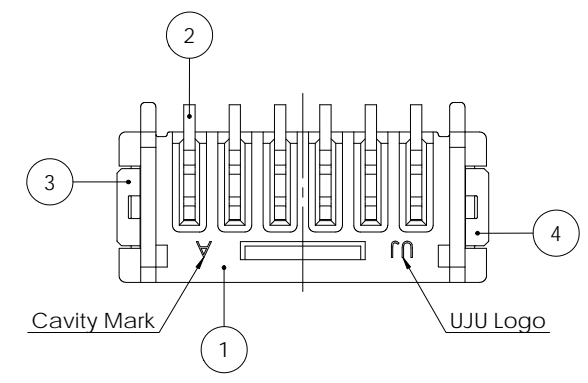
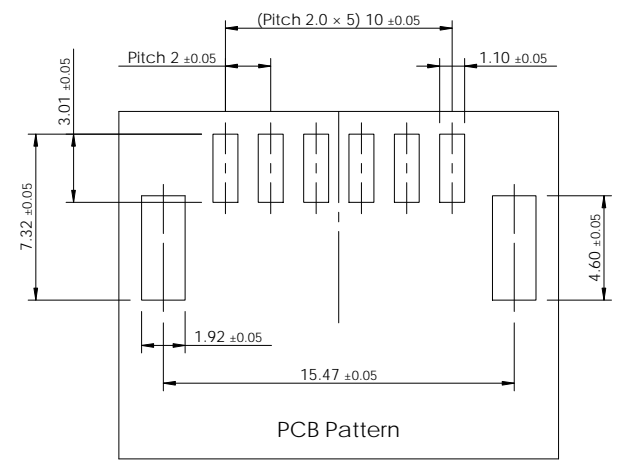
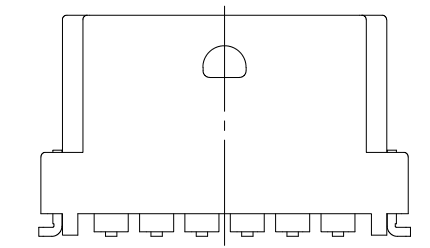
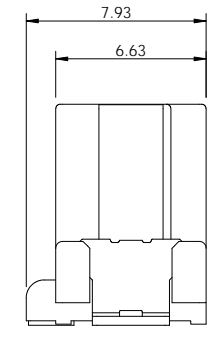
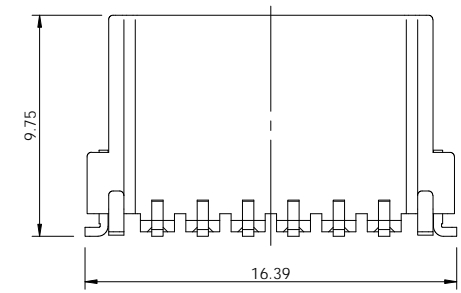
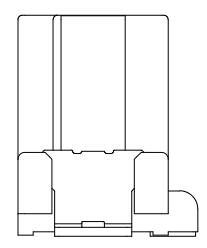
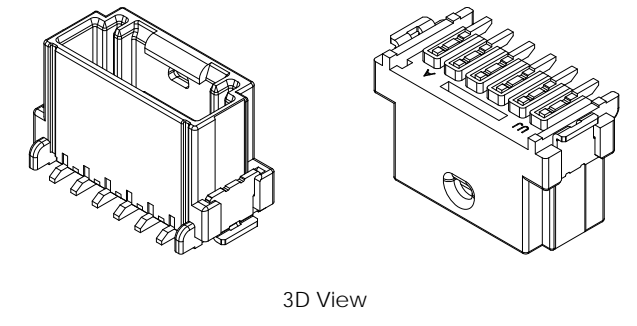
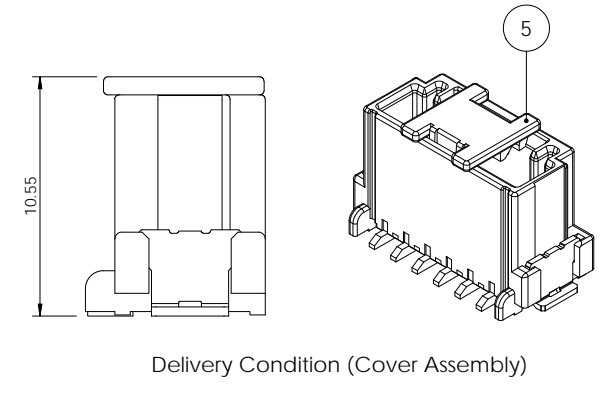
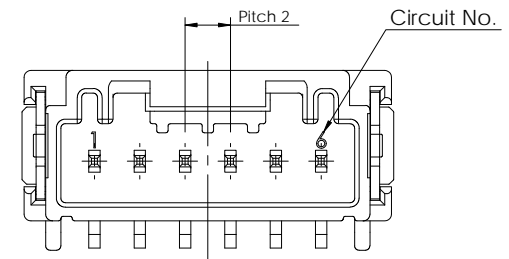


REV	REVISION RECORD	DATE	DRWN	CHKD	APVD
A	RELEASED	07 MAY '19	JK	KH	CY



-Note-
1. General Tolerance : ±0.30

No.	Description	Material	Finish / Color	Q'ty	Ass'y Part No.
5	020_S_BL_SMT_Cover	PA9T-GF30	Black	1	KH1700134-20
4	020 S SMT Solder Peg VTC-R	Copper Alloy	Post-Tin	1	KH1700134-10
3	020 S SMT Solder Peg VTC-L	Copper Alloy	Post-Tin	1	
2	020 S SMT Tab TML VTC	Copper Alloy	Post-Tin	6	
1	020_S_BL_SMT_6M_V_HSG	PA9T-GF30	Black	1	-
			Natural	-	1

TOLERANCES UNLESS OTHERWISE SPECIFIED	UNIT MM
0 ±	THD ANGLE PROJECTION
0.0 ±	ANGLES
0.00 ±	PRODUCT SPEC
0.000 ±	APPLICATION SPEC
0.0000 ±	

DRWN JK. HWANG	NAME
CHKD KH. PARK	020_S_BL_SMT_6M_V_ASSY
APVD CY. CHOI	CUSTOMER DRAWING
MATERIAL SEE TABLE	LOC RESTRICTED TO
FINISH/COLOR SEE TABLE	SIZE A3
WEIGHT	SCALE 3:1
	SHEET 1 of 1
	REV A

UJU (주)우주 일렉트로닉스
UJU Electronics co.,Ltd.

DRAWING NO. KH1700134