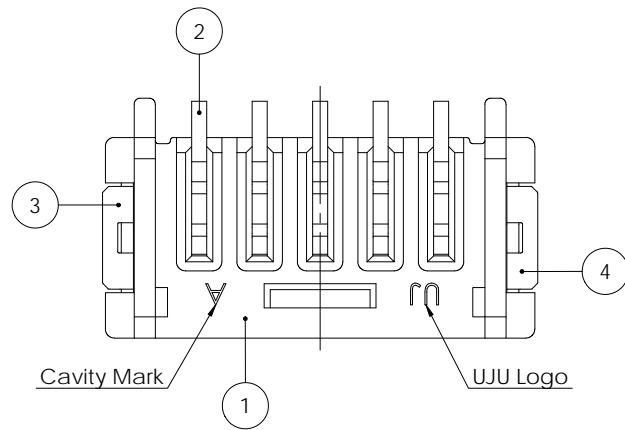
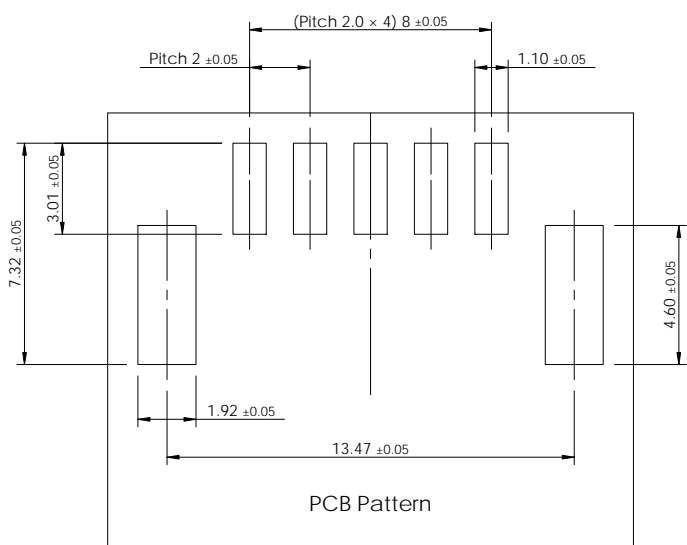
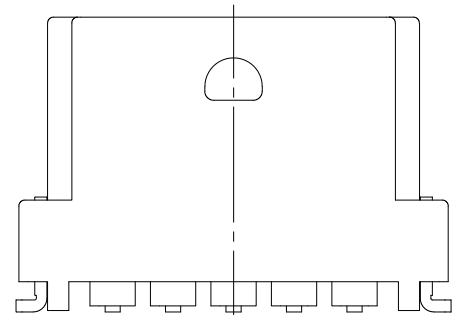
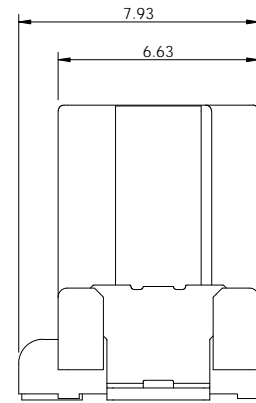
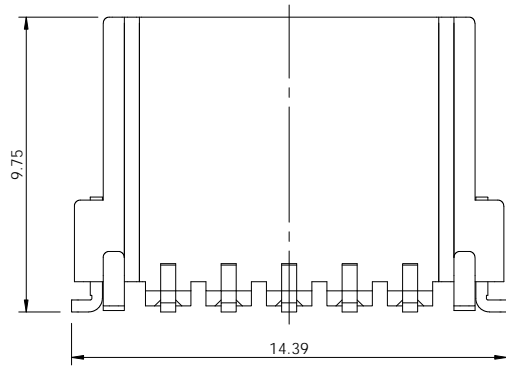
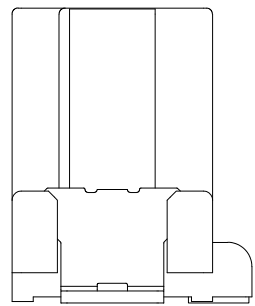


REV	REVISION RECORD	DATE	DRWN	CHKD	APVD
A	RELEASED	01 FEB '19	JK	SH	CY

Delivery Condition (Cover Assembly)

3D View



-Note-
1. General Tolerance : ±0.30

No.	Description	Material	Finish / Color	Q'ty
5	020_S_BL_SMT_Cover	PA9T-GF30	Black	1
4	020 S SMT Solder Peg VTC-R	Copper Alloy	Post-Tin	1
3	020 S SMT Solder Peg VTC-L	Copper Alloy	Post-Tin	1
2	020 S SMT Tab TML VTC	Copper Alloy	Post-Tin	5
1	020_S_BL_SMT_5M_V_HSG	PA9T-GF30	Black	1
			Natural	-
				1

KH1700132-20	KH1700132-10	Ass'y Part No.
--------------	--------------	----------------

TOLERANCES UNLESS OTHERWISE SPECIFIED		UNIT MM	DRWN JK. HWANG	(주)우주 일렉트로닉스 UJU Electronics co.,Ltd.
THD ANGLE PROJECTION		THIRD ANGLE PROJECTION	CHKD SH. LEE	
PRODUCT SPEC		APPLICATION SPEC	APVD CY. CHOI	
		MATERIAL	NAME 020_S_BL_SMT_5M_V_ASSY	
		FINISH/COLOR	SEE TABLE	
		WEIGHT	CUSTOMER DRAWING	
			DRAWING NO KH1700132	
LOC	RESTRICTED TO	SIZE	SCALE	SHEET
		A3	4:1	1 of 1
				REV A