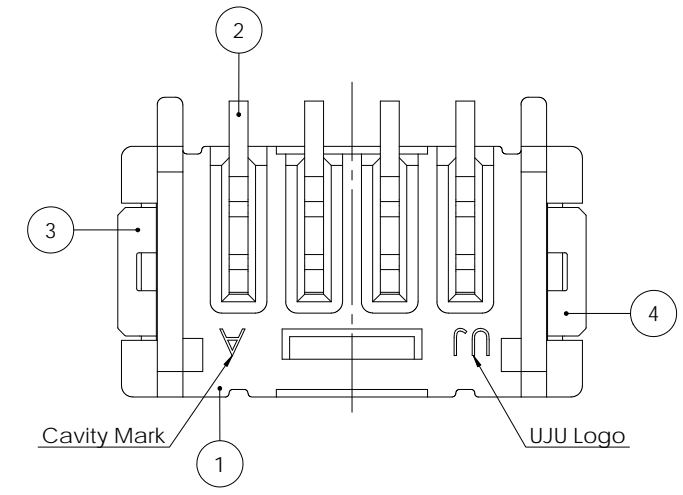
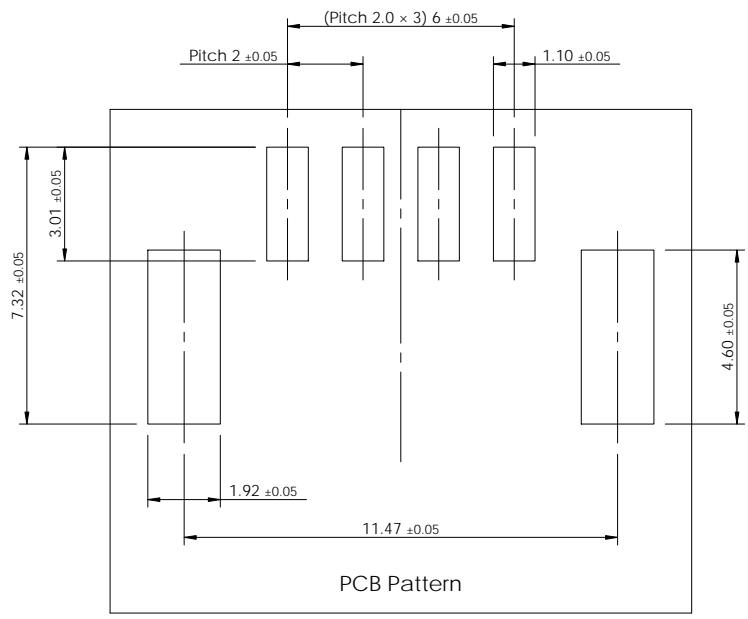
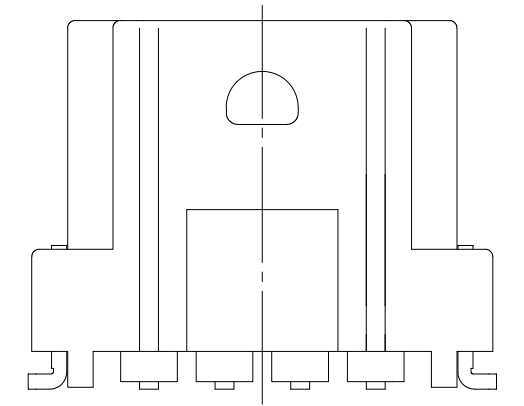
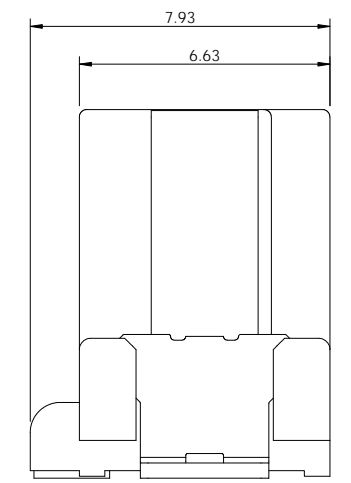
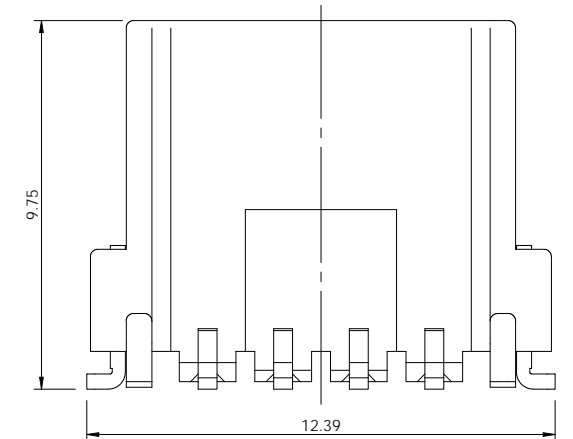
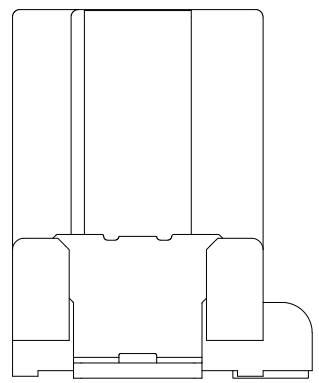
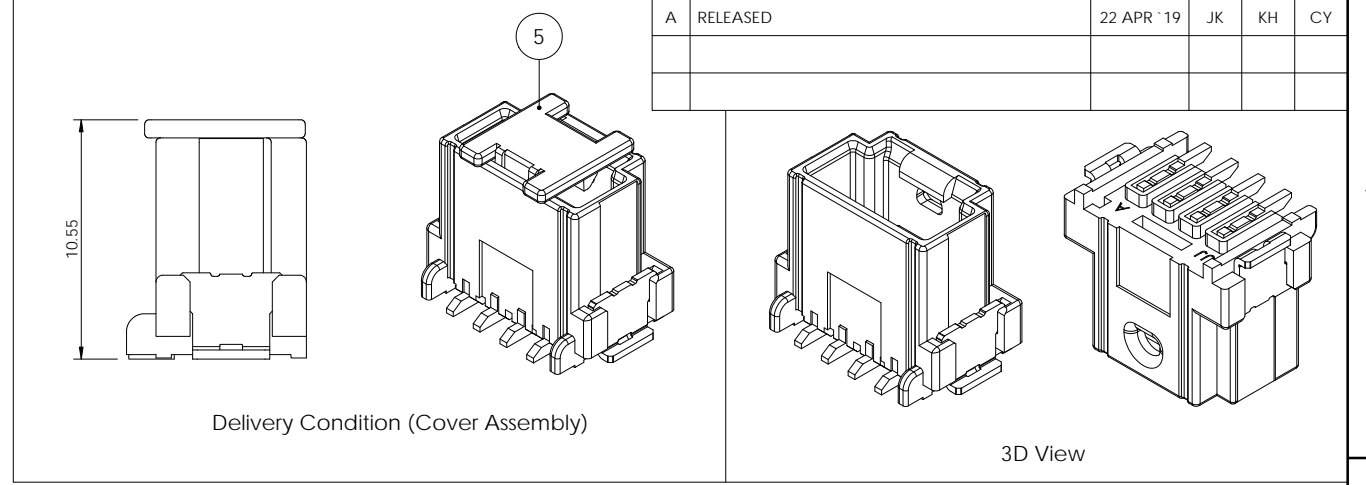
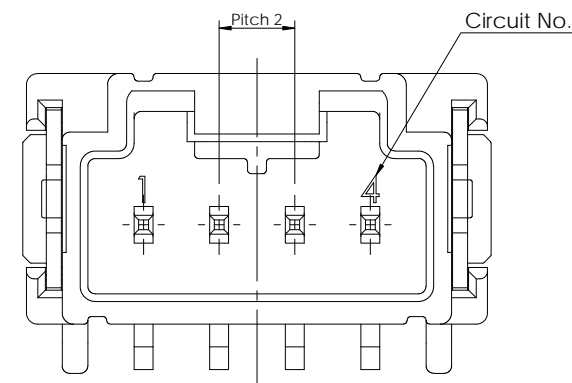


REV	REVISION RECORD	DATE	DRWN	CHKD	APVD
A	RELEASED	22 APR '19	JK	KH	CY



-Note-  
1. General Tolerance : ±0.30

No.	Description	Material	Finish / Color	Q'ty	KH1700130-20	KH1700130-10	Ass'y Part No.
5	020_S_BL_SMT_Cover	PA9T-GF30	Black	1	1		
4	020 S SMT Solder Peg VTC-R	Copper Alloy	Post-Tin	1	1		
3	020 S SMT Solder Peg VTC-L	Copper Alloy	Post-Tin	1	1		
2	020 S SMT Tab TML VTC	Copper Alloy	Post-Tin	4	4		
1	020_S_BL_SMT_4M_V_HSG	PA9T-GF30	Black	1	-		
			Natural	-	1		

TOLERANCES UNLESS OTHERWISE SPECIFIED 0 ± 0.0 ± 0.00 ± 0.000 ± 0.0000 ± ANGLES ± PRODUCT SPEC	UNIT <b>MM</b> TH3D ANGLE PROJECTION 	DRWN JK. HWANG	(주)우주 일렉트로닉스 UJU Electronics co.,Ltd.
		CHKD KH. PARK	
		APVD CY. CHOI	NAME
		MATERIAL SEE TABLE	020_S_BL_SMT_4M_V_ASSY
		FINISH/COLOR SEE TABLE	CUSTOMER DRAWING
		WEIGHT	KH1700130
			LOC RESTRICTED TO
			SIZE SCALE SHEET
			A3 5:1 1 of 1
			REV
			A