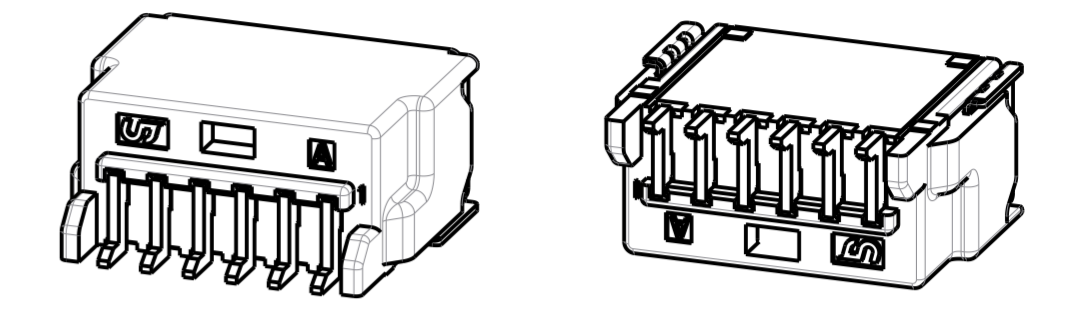
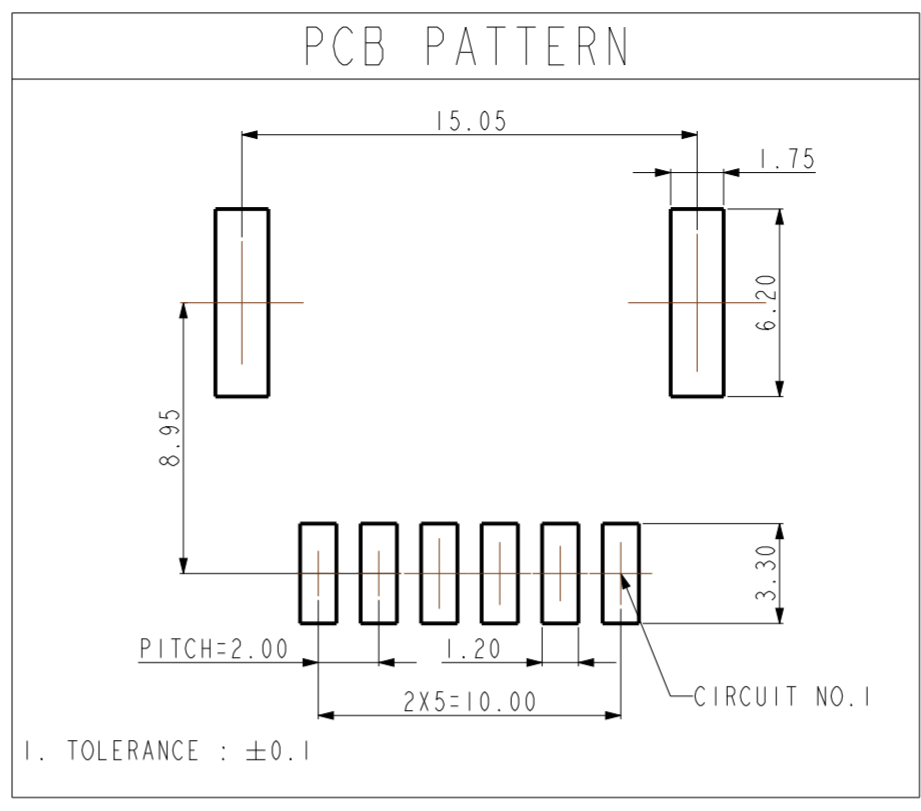
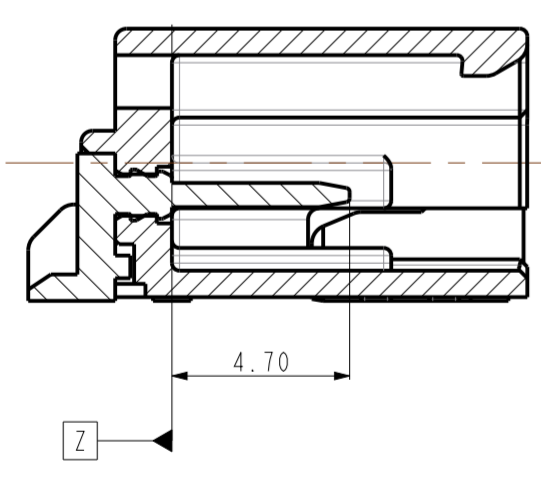
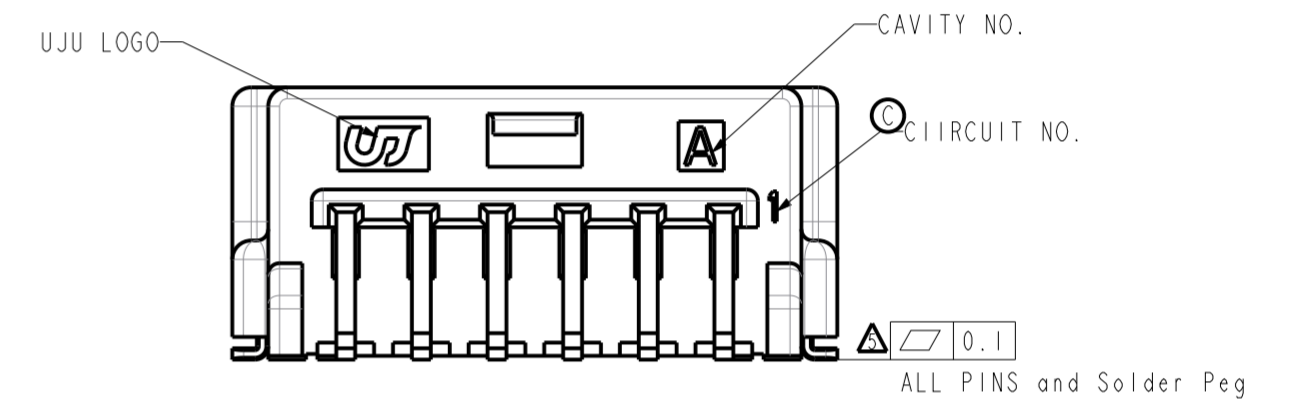
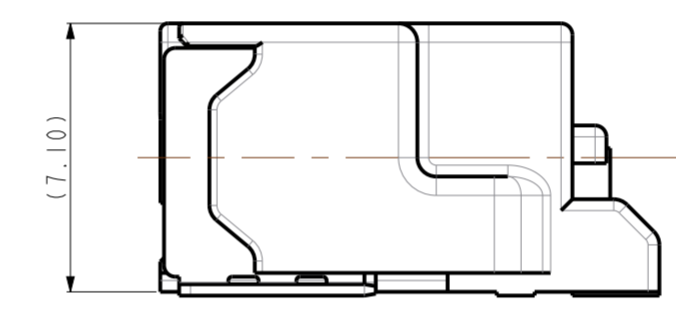
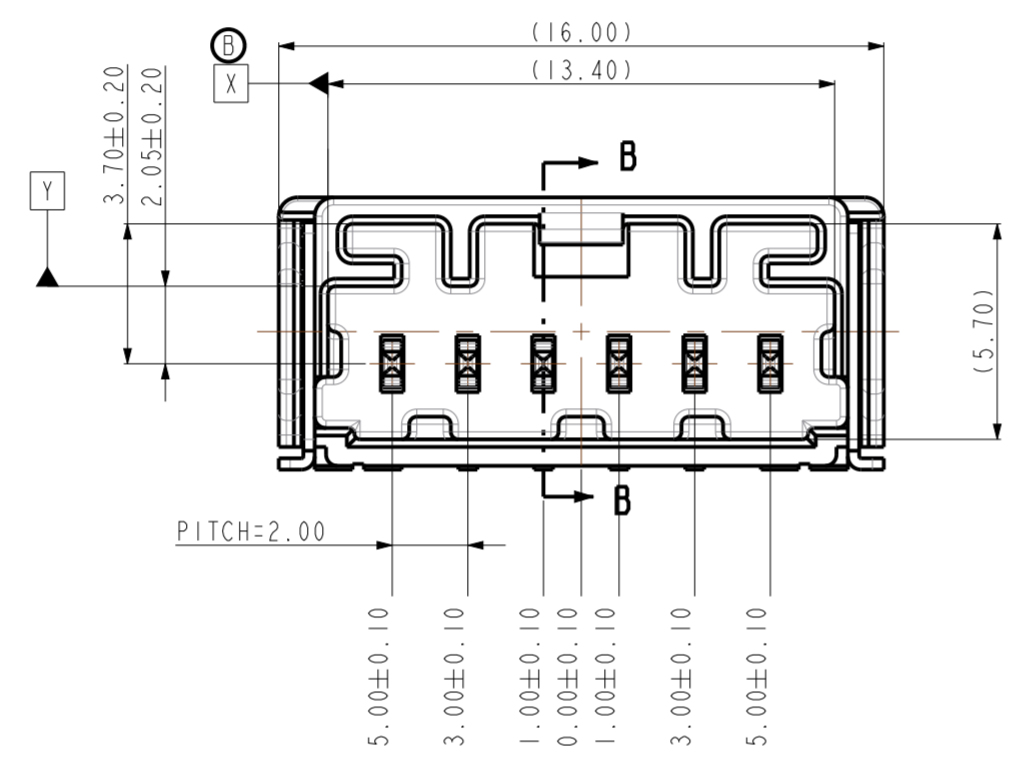
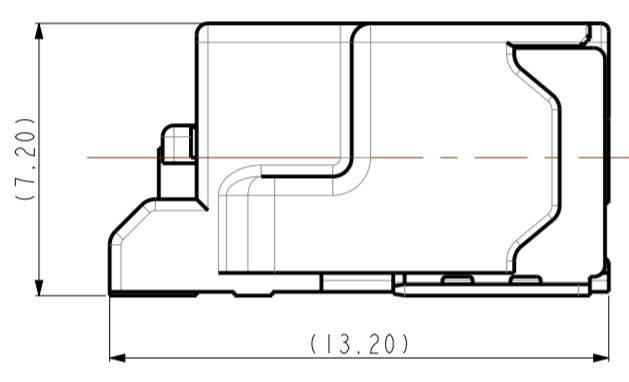
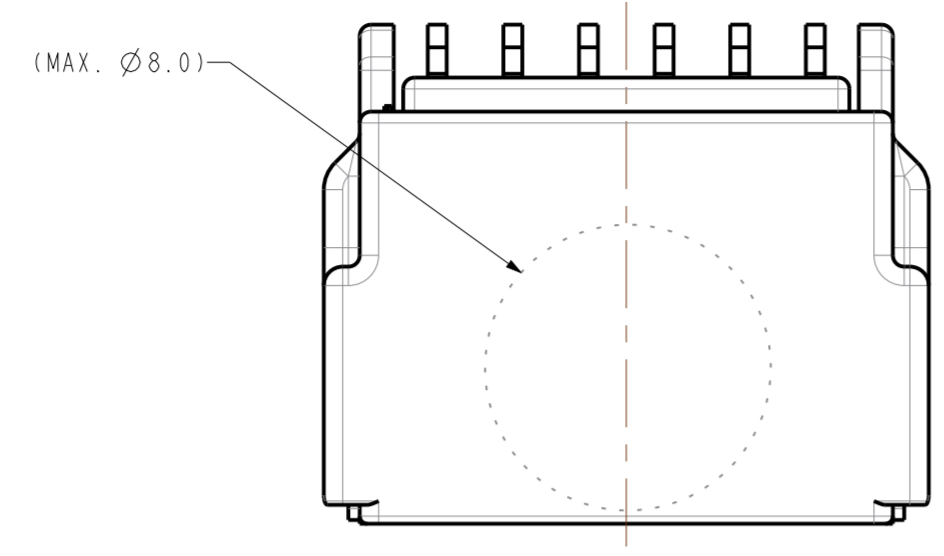


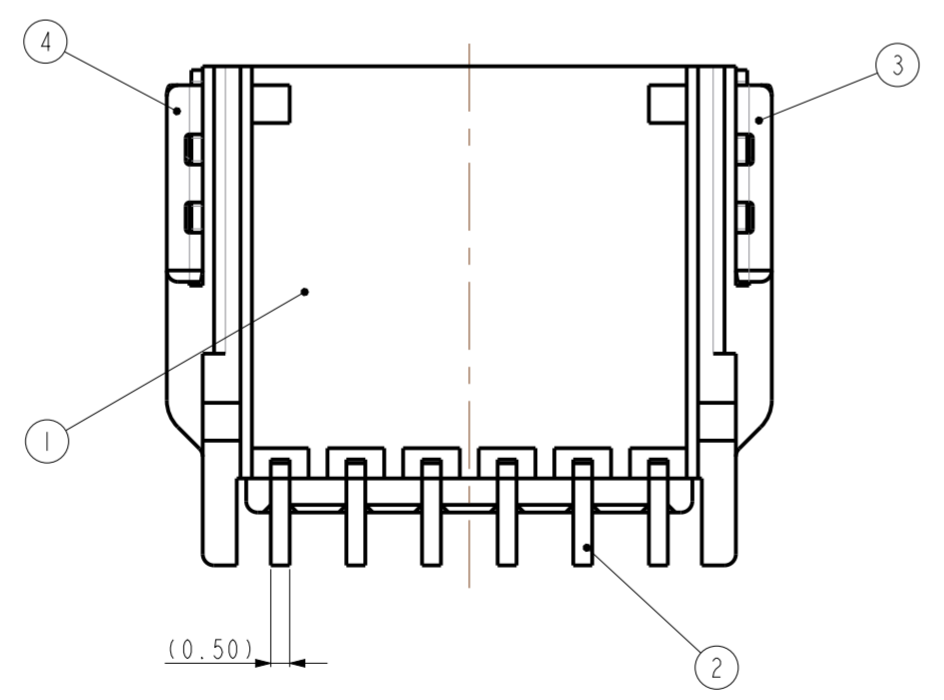
REV	REVISION RECORD	DATE	DRWN	CHKD	APVD
A	RELEASED	08.NOV'19	DR	KH	CY
B	REVISED (RD-2020-027)	27.FEB'20	DR	KH	CY
C	REVISED (RD-2020-140)	23.OCT'20	DR	KH	CY



ISO VIEW



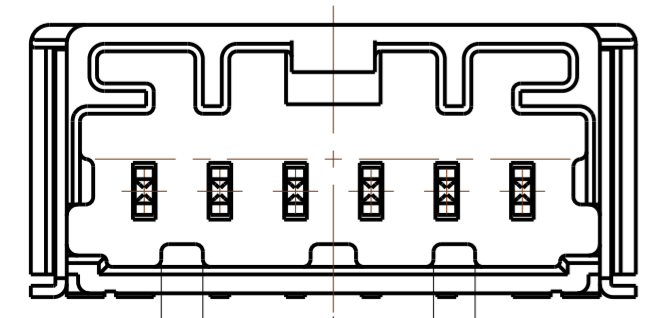
SECTION B-B



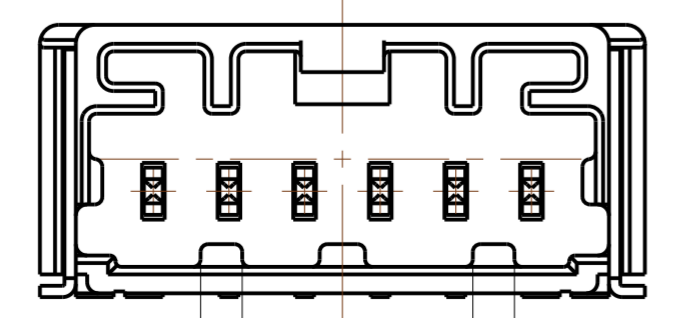
NOTE.

- GENERAL TOLERANCE : ±0.3, ±3.0°
- BURR 0.3 MAX.
- NO CRACK
- ALL LETTERS SHALL BE CLEAR AND LEGIBLE
- MEASURING THE DIMENSIONS OF TAB TML AND SOLDER PEG.
- VACUM GRIP AREA FREE OF BURR AND FECTOR PINS. MAX Ø8.0mm

CODE A (NATURAL)



CODE B (BLACK)



NO	DESCRIPTION	MATERIAL	FINISH/COLOR	Q'TY
4	020 SMT SOLDER PEG-LEFT (H2T)	BRASS	POST-TIN	1
3	020 SMT SOLDER PEG-RIGHT (H2T)	BRASS	POST-TIN	1
2	020 SMT TAB TML (H2T)	BRASS	POST-TIN	6
1	020_D-SMT_6M_H-HSG_BK	PA9T GF30	BLACK	-
	020_D-SMT_6M_H-HSG_NR	PA9T GF30	NATURAL	-

DRWN	DR KOO	(주)우주 일렉트로닉스 UJU Electronics co.,Ltd.			
CHKD	KH PARK				
APVD	CY CHOI	NAME	020_D-SMT_6M_H_ASSY		
MATERIAL	SEE TABLE	CUSTOMER	DRAWING NO		
FINISH/COLOR	SEE TABLE	DRAWING	KH1700116		
WEIGHT	-	LOC	RESTRICTED TO	SIZE	SCALE
PRODUCT SPEC	-	-	-	A2	5:1
APPLICATION SPEC	-	-	-	SHEET	1 OF 1
				REV	C