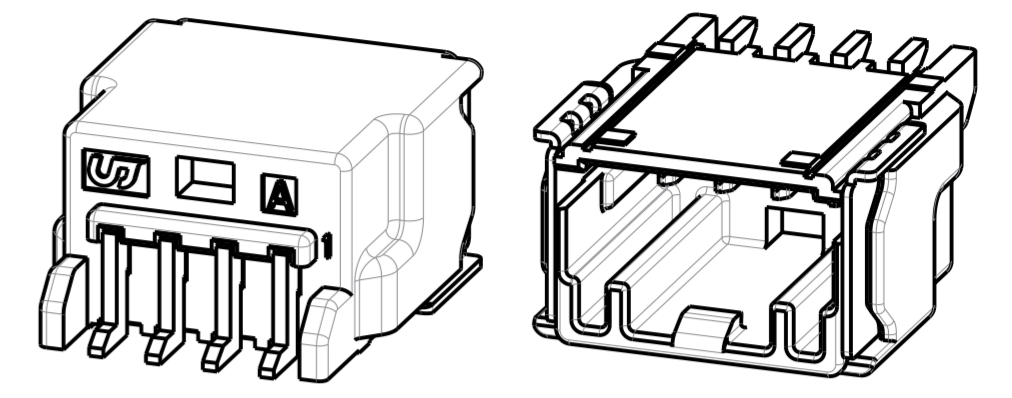
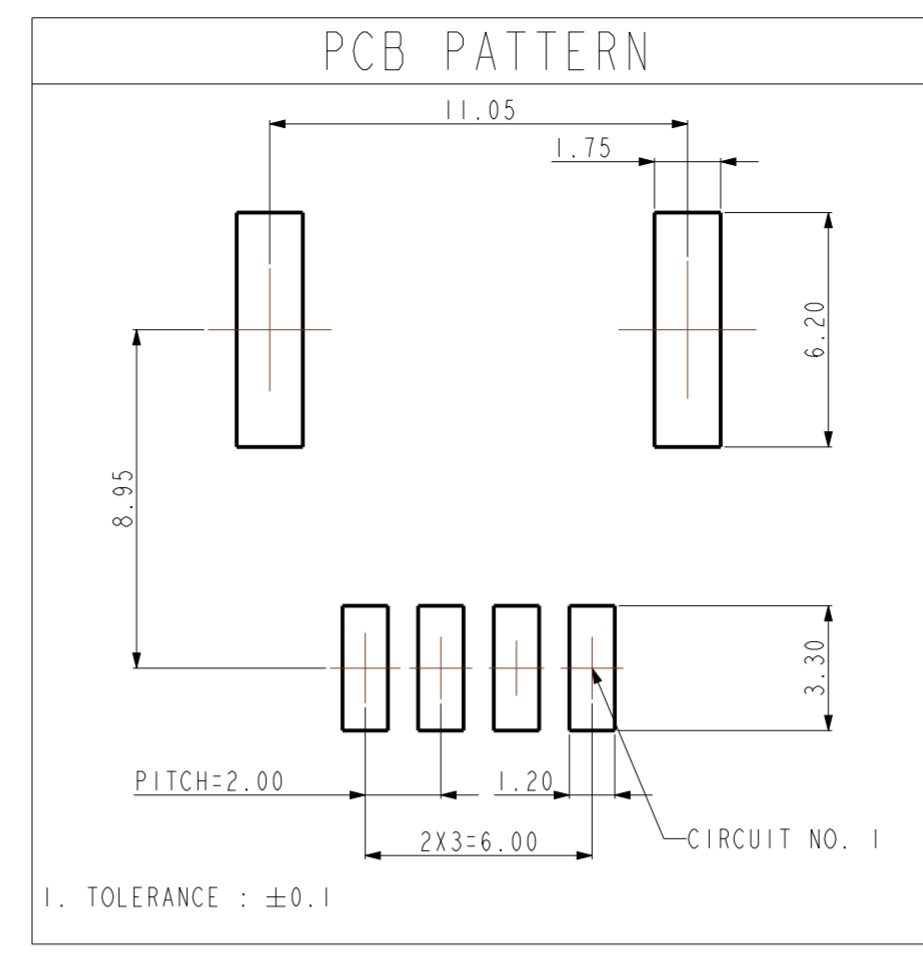
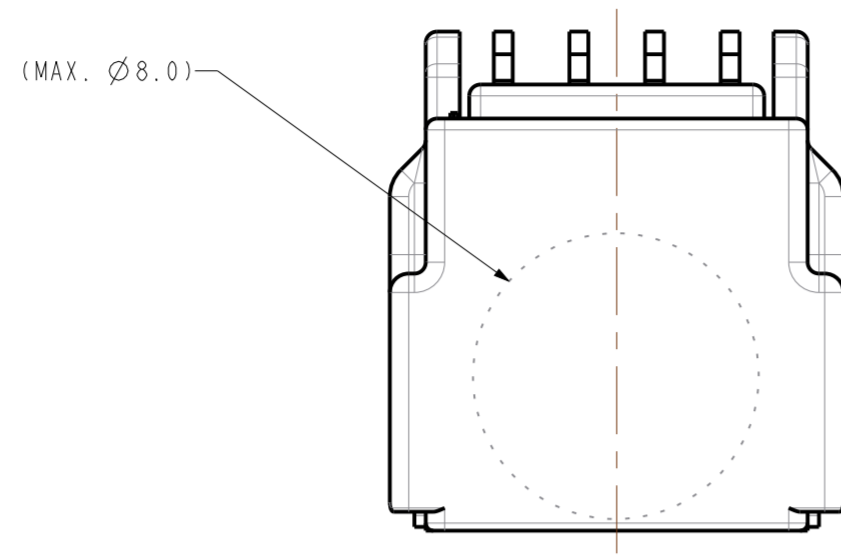
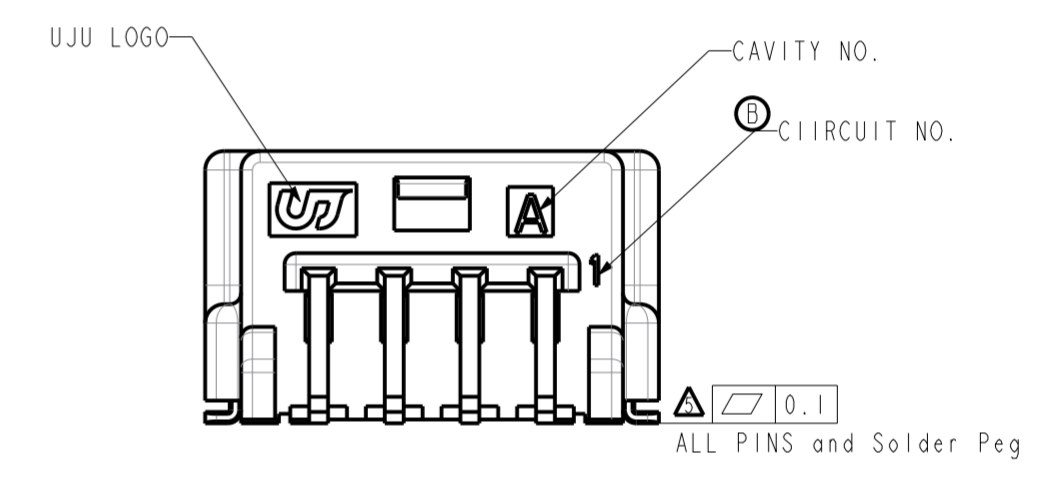
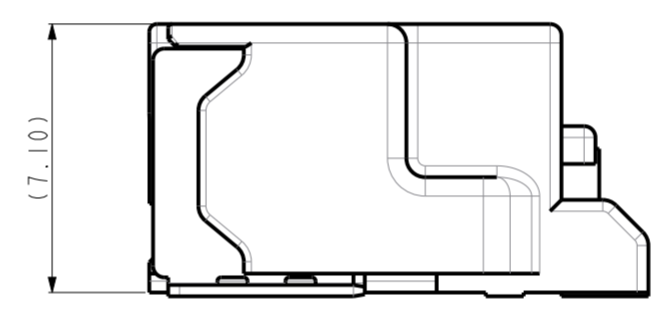
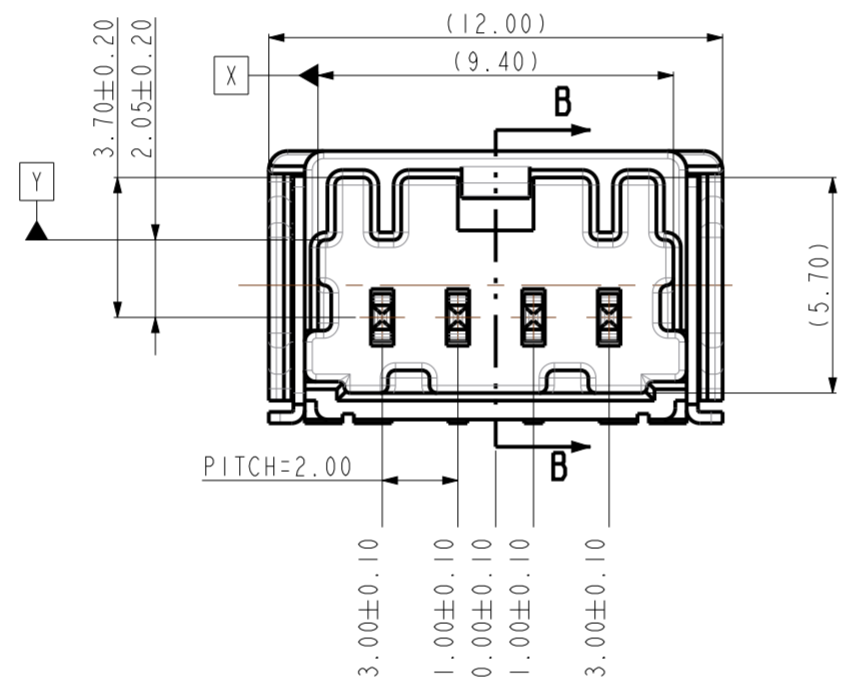
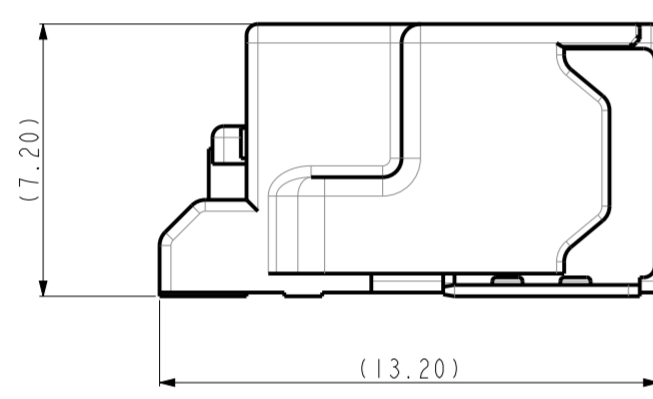


REV	REVISION RECORD	DATE	DRWN	CHKD	APVD
A	RELEASED	22.JUN'20	DR	KH	CY
B	REVISED (RD-2020-140)	23.OCT'20	DR	KH	CY

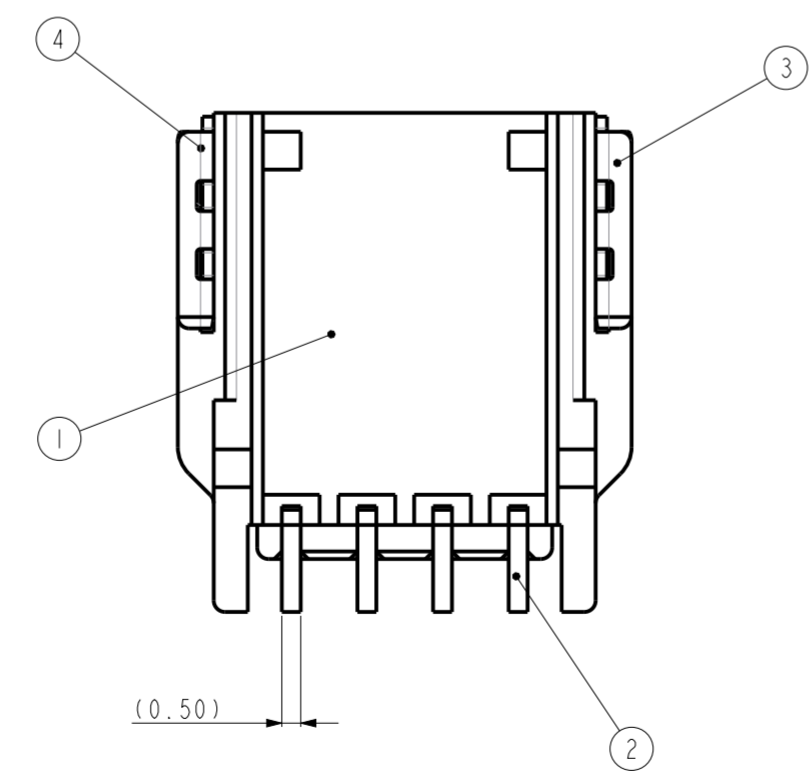
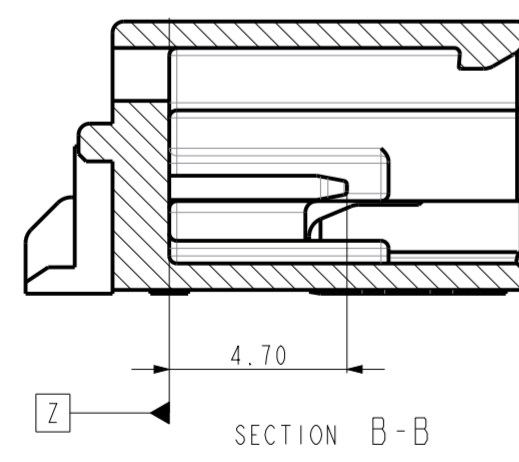


ISO VIEW



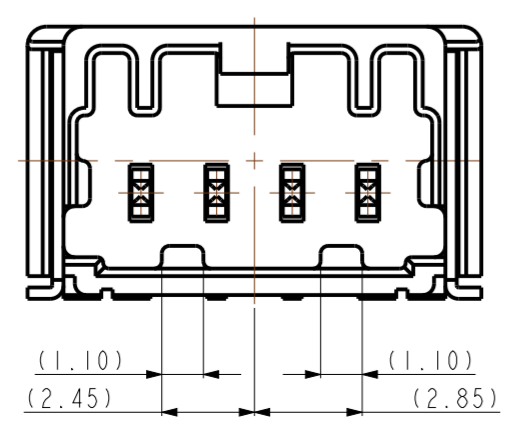
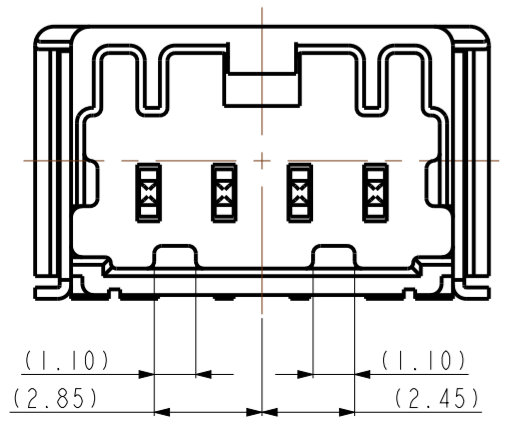
NOTE.

- GENERAL TOLERANCE : $\pm 0.3, \pm 3.0^\circ$
- BURR 0.3 MAX.
- NO CRACK
- ALL LETTERS SHALL BE CLEAR AND LEGIBLE
- MEASURING THE DIMENSIONS OF TAB TML AND SOLDER PEG.
- VACUM GRIP AREA FREE OF BURR AND FECTOR PINS. MAX $\varnothing 8.0\text{mm}$



CODE A (NATURAL)

CODE B (BLACK)



NO	DESCRIPTION	MATERIAL	FINISH/COLOR	Q'TY
4	020 SMT SOLDER PEG-LEFT (H2T)	BRASS	POST-TIN	1
3	020 SMT SOLDER PEG-RIGHT (H2T)	BRASS	POST-TIN	1
2	020 SMT TAB TML (H2T)	BRASS	POST-TIN	4
1	020_D-SMT_4M_H-HSG_BK	PA9T GF30	BLACK	-
1	020_D-SMT_4M_H-HSG_NR	PA9T GF30	NATURAL	-

DRWN	DR KOO	(주)우주 일렉트로닉스 UJU Electronics co.,Ltd.						
CHKD	KH PARK							
APVD	CY CHOI	NAME	020_D-SMT_4M_H_ASSY					
MATERIAL	SEE TABLE	CUSTOMER	DRAWING NO					
FINISH/COLOR	SEE TABLE	DRAWING	KH1700114					
PRODUCT SPEC	-	WEIGHT	LOC	RESTRICTED TO	SIZE	SCALE	SHEET	REV
			-	-	A2	5:1	1 OF 1	B