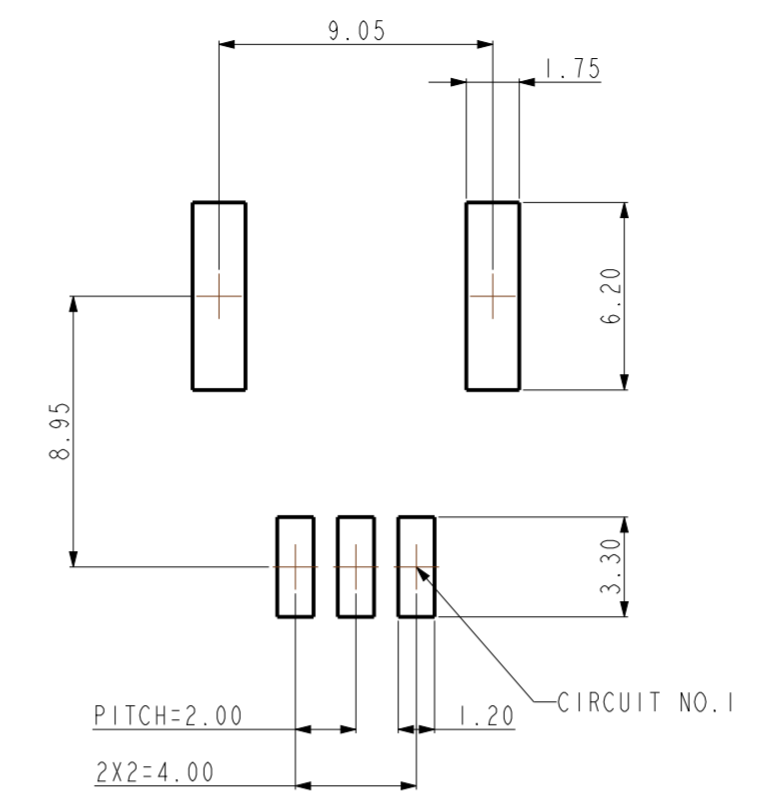
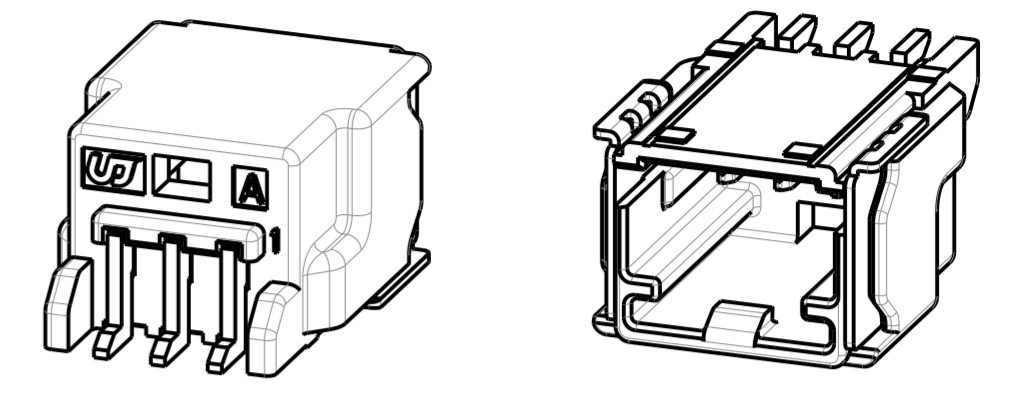


REV	REVISION RECORD	DATE	DRWN	CHKD	APVD
A	RELEASED	22.NOV'19	DR	KH	CY
B	REVISED (RD-2020-027)	27.FEB'20	DR	KH	CY
C	REVISED (RD-2020-140)	23.OCT'20	DR	KH	CY

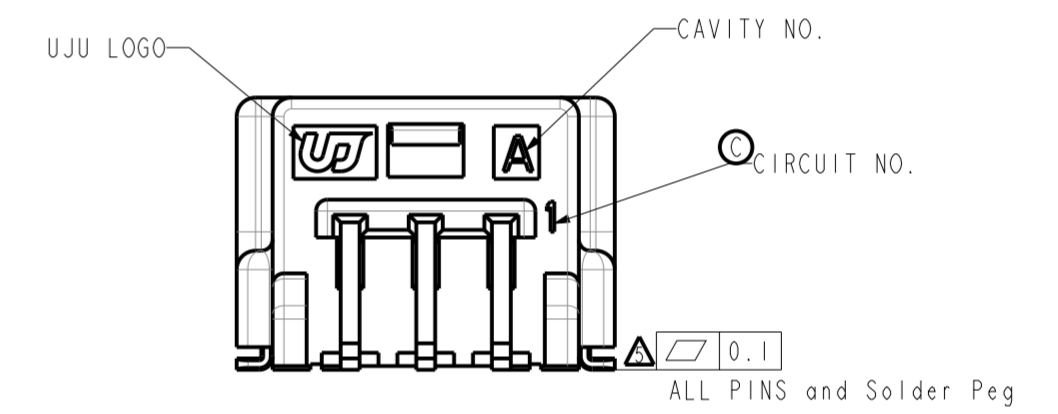
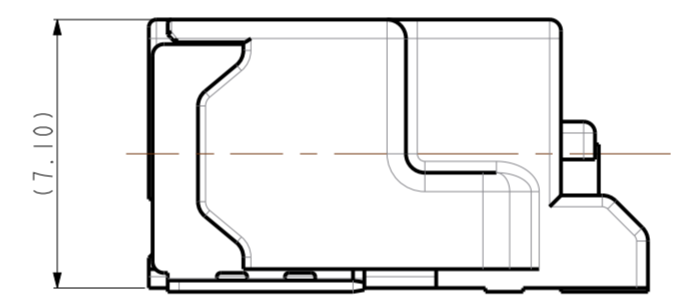
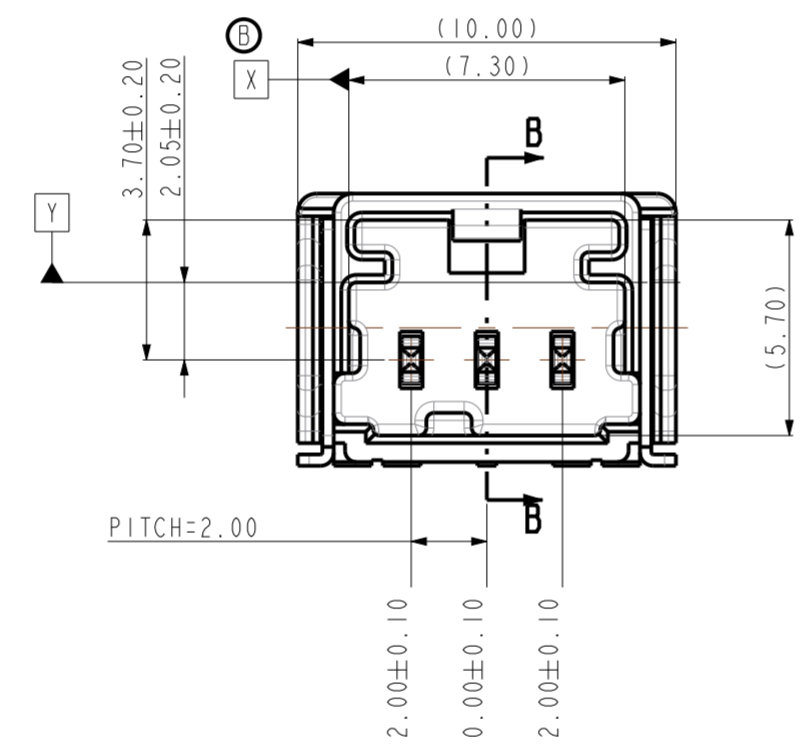
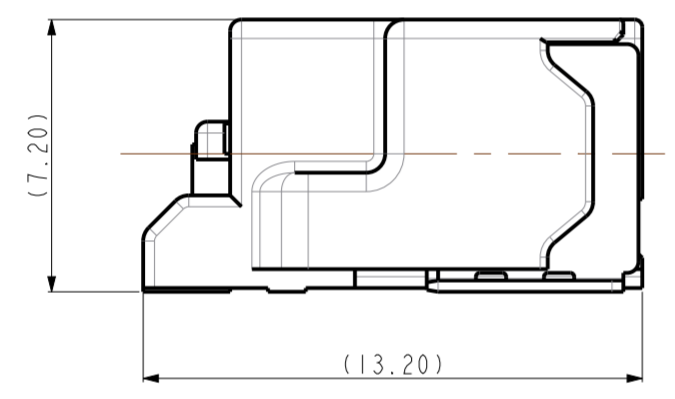
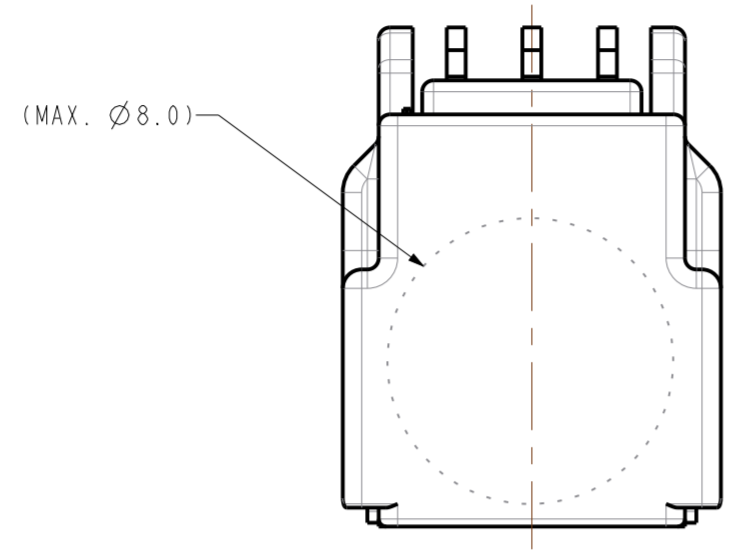
PCB PATTERN



1. TOLERANCE : ±0.1

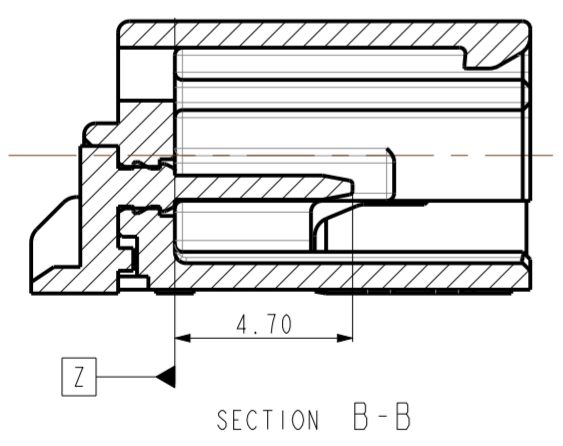


ISO VIEW

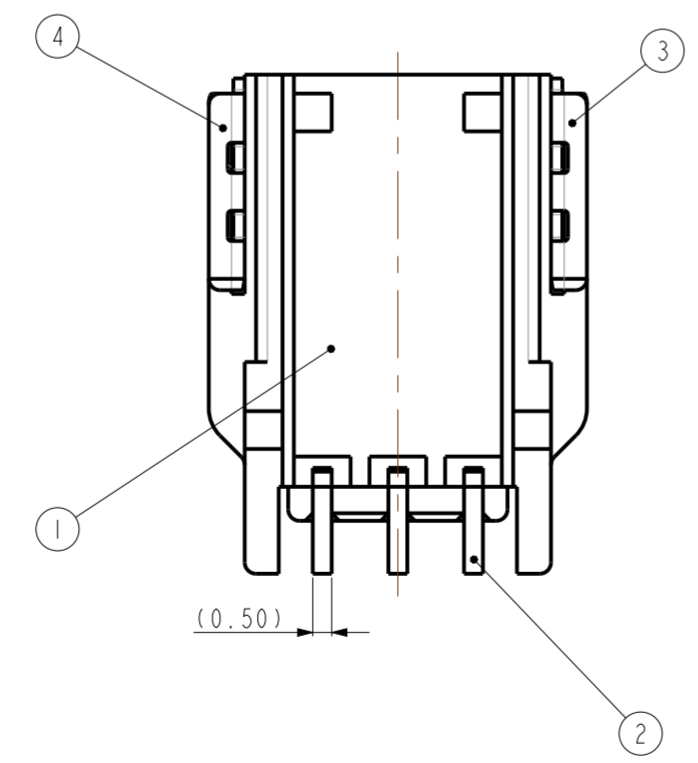


NOTE.

- GENERAL TOLERANCE : ±0.3, ±3.0°
- BURR 0.3 MAX.
- NO CRACK
- ALL LETTERS SHALL BE CLEAR AND LEGIBLE
- MEASURING THE DIMENSIONS OF TAB TML AND SOLDER PEG.
- VACUM GRIP AREA FREE OF BURR AND FECTOR PINS. MAX Ø8.0mm

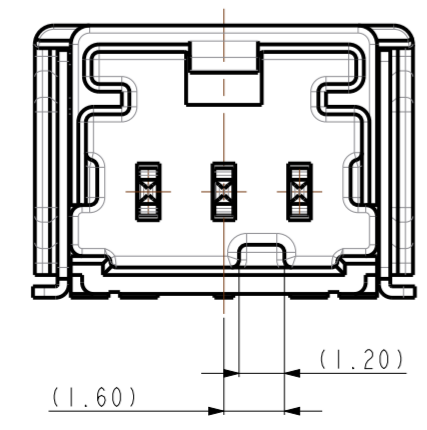
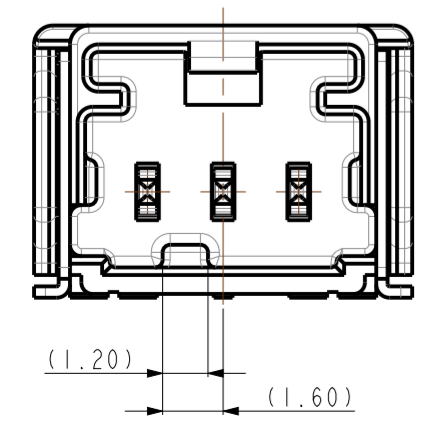


SECTION B-B



CODE A (NATURAL)

CODE B (BLACK)



NO	DESCRIPTION	MATERIAL	FINISH/COLOR	Q'TY
4	020 SMT SOLDER PEG-LEFT (H2T)	BRASS	POST-TIN	1
3	020 SMT SOLDER PEG-RIGHT (H2T)	BRASS	POST-TIN	1
2	020 SMT TAB TML (H2T)	BRASS	POST-TIN	3
1	020_D-SMT_3M_H-HSG-BK	PA9T GF30	BLACK	-
1	020_D-SMT_3M_H-HSG-NR	PA9T GF30	NATURAL	-

TOLERANCES UNLESS OTHERWISE SPECIFIED	UNIT MM
0 . . 0 ±	THIRD ANGLE PROJECTION
0 . . 00 ±	
0 . . 000 ±	
0 . . 0000 ±	
ANGLES ±	
PRODUCT SPEC	APPLICATION SPEC
-	-

DRWN	DR KOO	(주)우주 일렉트로닉스 UJU Electronics co.,Ltd.	
CHKD	KH PARK		
APVD	CY CHOI	NAME	
MATERIAL	SEE TABLE	020_D-SMT_3M_H_ASSY	
FINISH/COLOR	SEE TABLE	CUSTOMER	DRAWING NO
WEIGHT	-	-	KH17000112
LOC	-	RESTRICTED TO	SIZE
-	-	-	A2
-	-	SCALE	SHEET
-	-	5:1	1 OF 1
-	-	REV	C