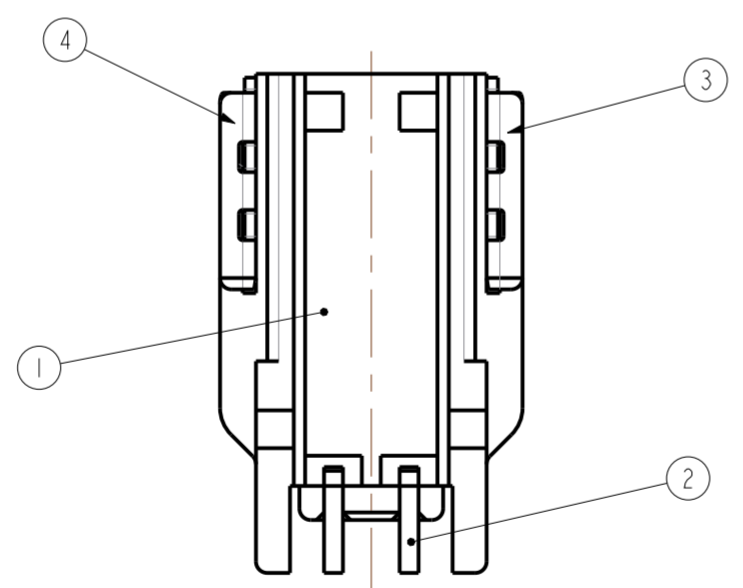
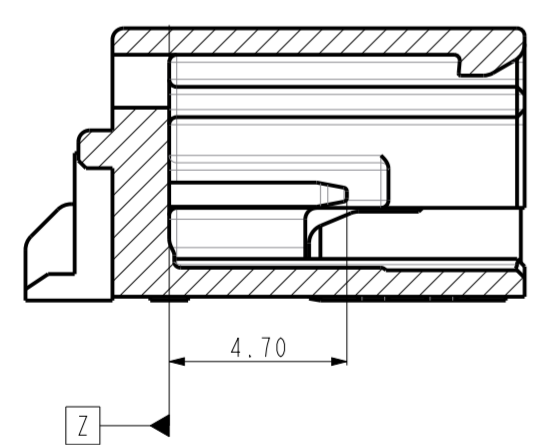
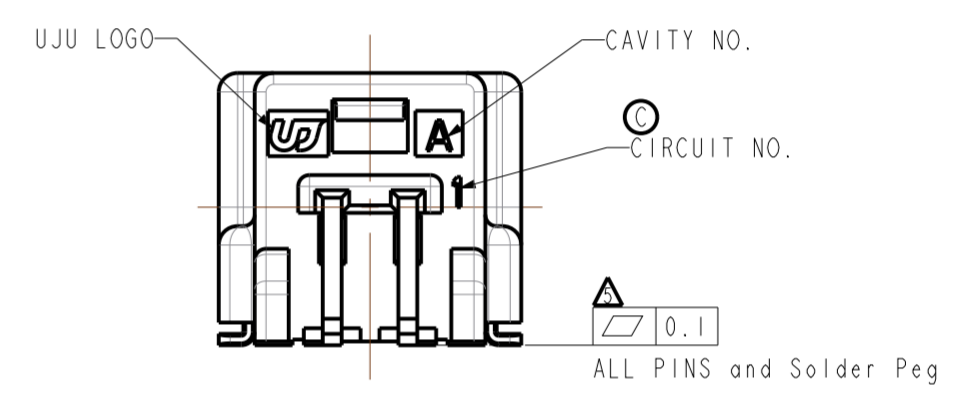
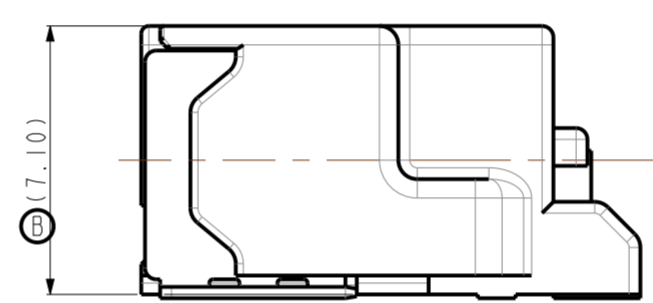
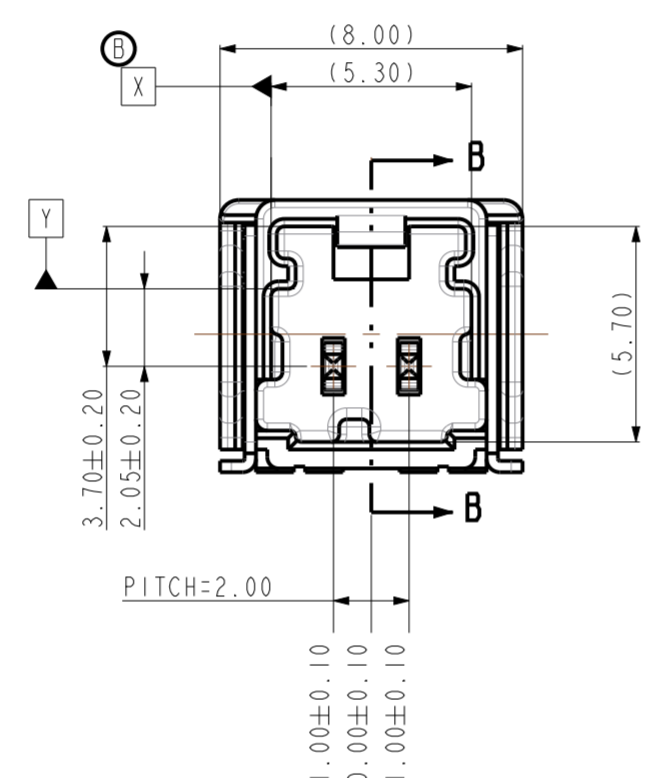
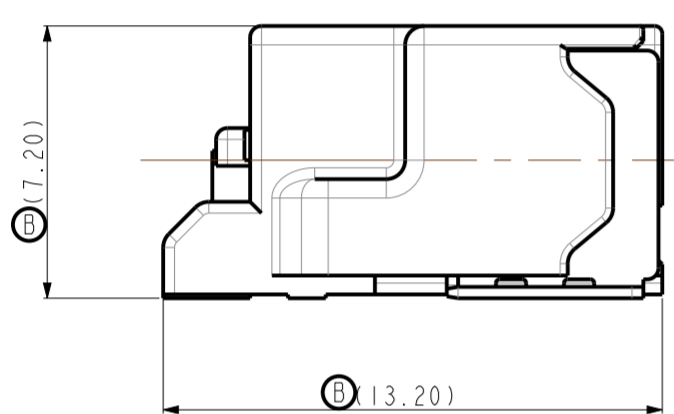
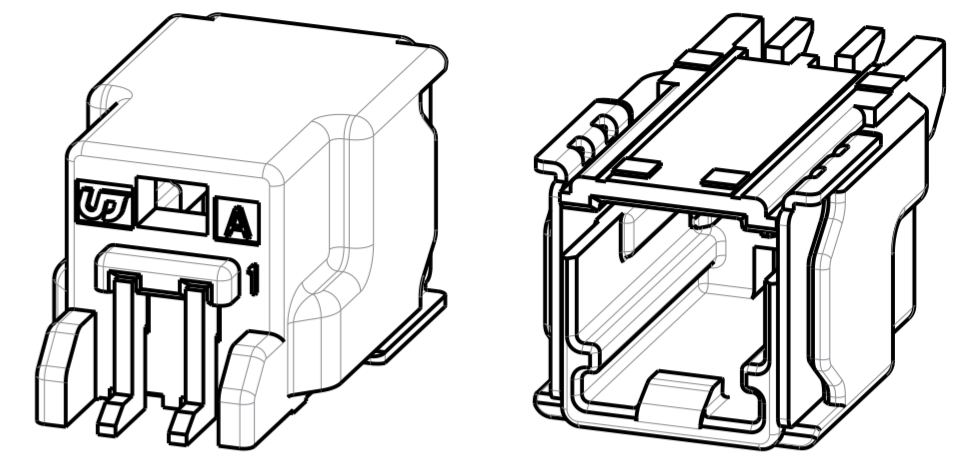


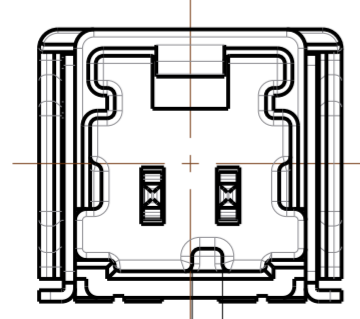
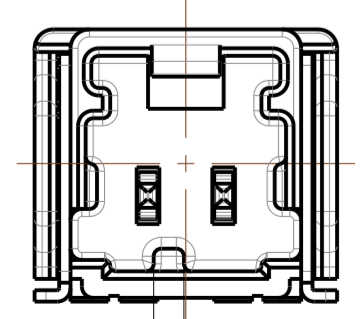
REV	REVISION RECORD	DATE	DRWN	CHKD	APVD
A	RELEASED	22.NOV'19	DR	KH	CY
B	REVISED (RD-2020-027)	27.FEB'20	DR	KH	CY
C	REVISED (RD-2020-140)	23.OCT'20	DR	KH	CY



- NOTE.
- GENERAL TOLERANCE : ±0.3, ±3.0°
 - BURR 0.3 MAX.
 - NO CRACK
 - ALL LETTERS SHALL BE CLEAR AND LEGIBLE
 - MEASURING THE DIMENSIONS OF TAB TML AND SOLDER PEG.
 - VACUUM GRIP AREA FREE OF BURR AND FECTOR PINS. MAX Ø6.0mm

CODE A (NATURAL)

CODE B (BLACK)



NO	DESCRIPTION	MATERIAL	FINISH/COLOR	Q'TY
④	020 SMT SOLDER PEG-LEFT (H2T)	BRASS	POST-TIN	1 1
③	020 SMT SOLDER PEG-RIGHT (H2T)	BRASS	POST-TIN	1 1
②	020 SMT TAB TML (H2T)	BRASS	POST-TIN	2 2
①	020_D-SMT_2M_H-HSG_BK	PA9T GF30	BLACK	1 -
①	020_D-SMT_2M_H-HSG_NR	PA9T GF30	NATURAL	- 1

TOLERANCES UNLESS OTHERWISE SPECIFIED	UNIT MM
0	THIRD ANGLE PROJECTION
0.0	
0.00	
0.000	
0.0000	
ANGLES	
PRODUCT SPEC	APPLICATION SPEC
-	-

DRWN	DR KOO	(주)우주 일렉트로닉스 UJU Electronics co.,Ltd.
CHKD	KH PARK	
APVD	CY CHOI	
MATERIAL	SEE TABLE	NAME
FINISH/COLOR	SEE TABLE	DRAWING NO
WEIGHT	-	CUSTOMER
LOC	-	DRAWING
RESTRICTED TO	-	SIZE
SCALE	A2	SCALE
SHEET	1 OF 1	SHEET
REV	C	REV

ASSY DESCRIPTION	CODE	ASS'Y PART NO.	REV.
020_D-SMT_2M_H-ASSY-BK	B	KHI700110-21	C
020_D-SMT_2M_H-ASSY-NR	A	KHI700110-10	C