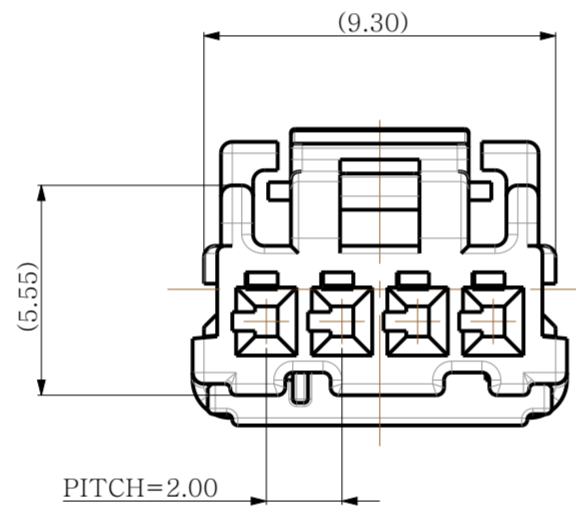
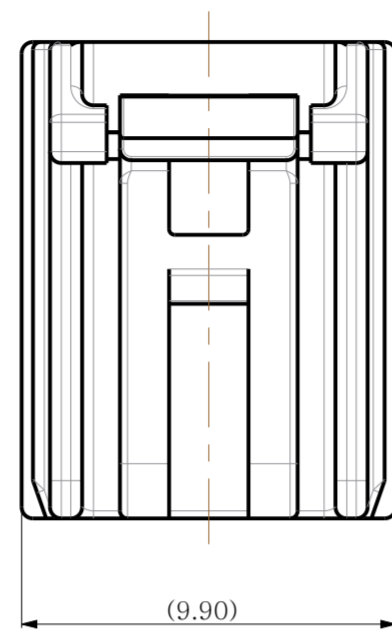
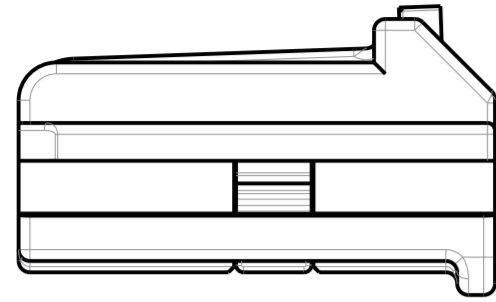
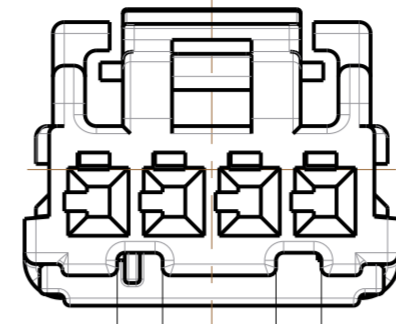


TPA SECONDARY LOCK POSITION

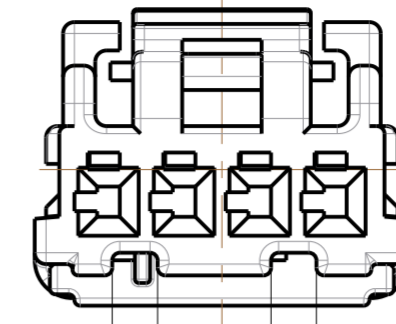


CODE A  
(NATURAL)



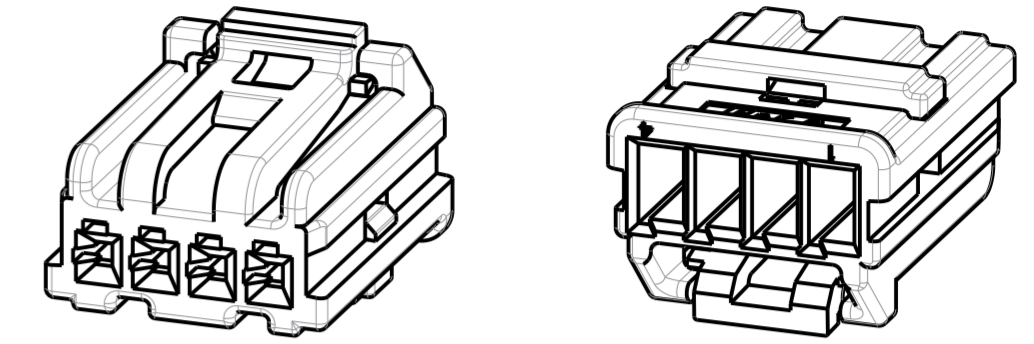
(1.20) (1.20)  
(2.50) (2.90)

CADE B  
(BLACK)

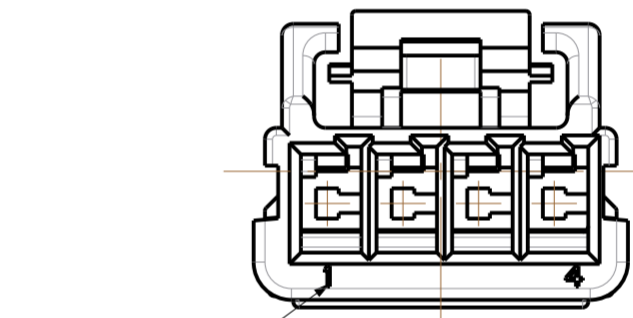
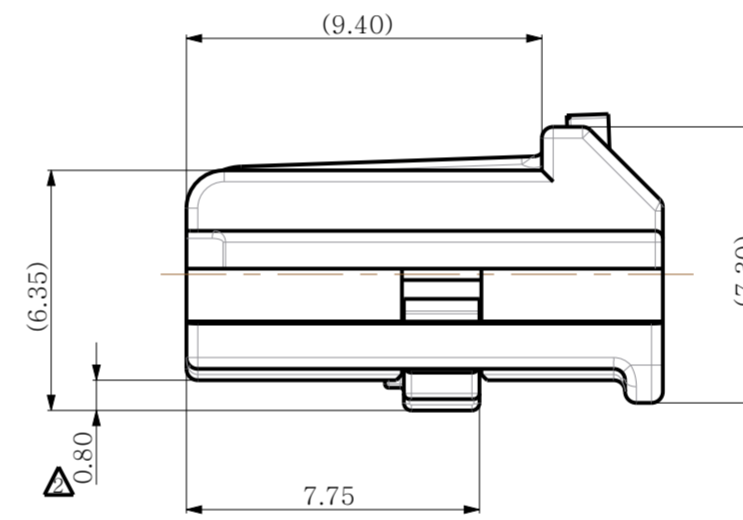
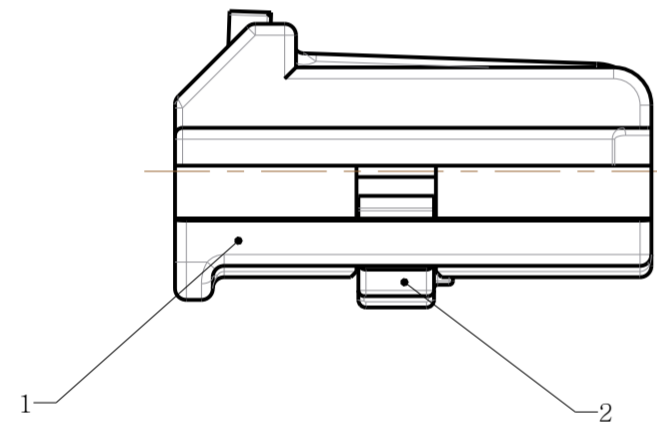


(1.20) (1.20)  
(2.90) (2.50)

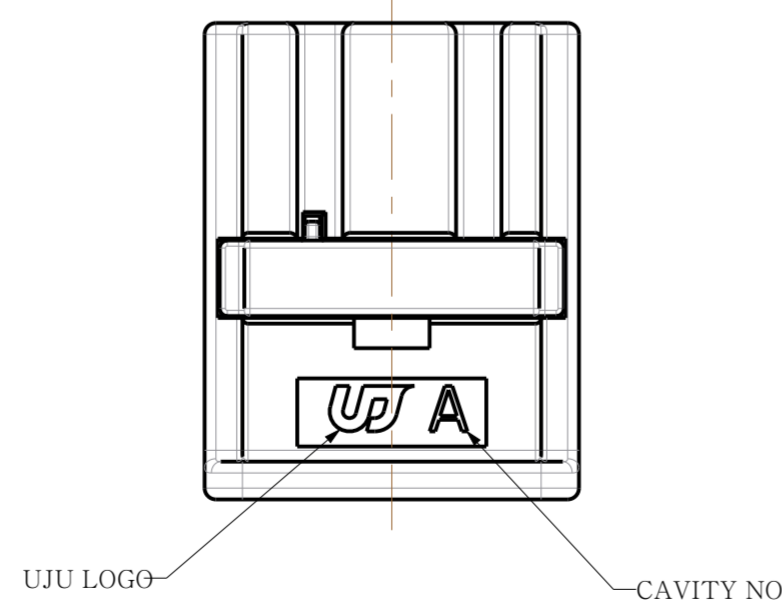
REV	REVISION RECORD	DATE	DRWN	CHKD	APVD
A	RELEASED	01.NOV'19	DR	KH	CY



ISO VIEW



CIRCUIT NO.



UJU LOGO

CAVITY NO

- NOTE.
1. GENARAL TOLERANCE :  $\pm 0.3, \pm 3^\circ$
  2.  $\Delta$  DELIVERY CONDITION : TPA FIRST LOCK POSITION
  3. BURR 0.3 MAX.
  4. NO CRACK.
  5. ALL LETTERS SHALL BE CLEAR AND LEGIBLE

NO	DESCRIPTION	MATERIAL	FINISH/COLOR	Q'TY
2	020_D_4P_TPA_HSG_GN	PBT GF10	GREEN	1 1
1	020_D_4F_HSG_BK	PBT GF10	BLACK	1 -
	020_D_4F_HSG_NR	PBT GF10	NATURAL	- 1

DRWN	DR KOO	(주)우주일렉트로닉스 UJU Electronics co.,Ltd.	NAME					
CHKD	KH PARK		020_D_4F_ASSY					
APVD	CY CHOI		CUSTOMER DRAWING	DRAWING NO				
MATERIAL		SEE TABLE	KH1700104					
FINISH/COLOR		SEE TABLE	LOC	RESTRICTED TO	SIZE	SCALE	SHEET	REV
WEIGHT		-	-	-	A2	5:1	1 OF 1	A

TOLERANCES UNLESS OTHERWISE SPECIFIED	UNIT MM	THIRD ANGLE PROJECTION
0	±	
0.0	±	
0.00	±	
0.000	±	
0.0000	±	
ANGLES	±	
PRODUCT SPEC	-	APPLICATION SPEC
-	-	-

DESCRIPTION	CODE	ASSY PART NO.	REV.
020_D_4F_ASSY_BK	B	KH1700104-21	A
020_D_4F_ASSY_NR	A	KH1700104-10	A