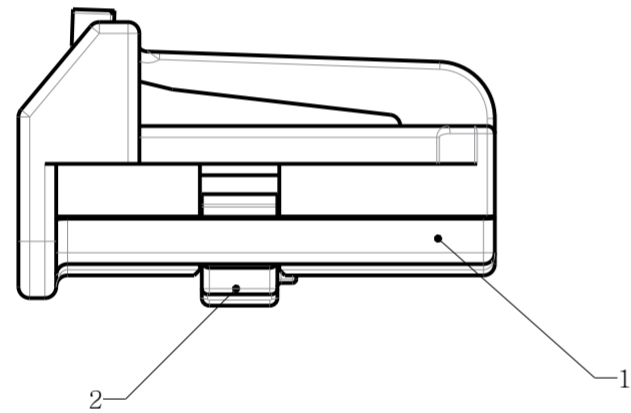
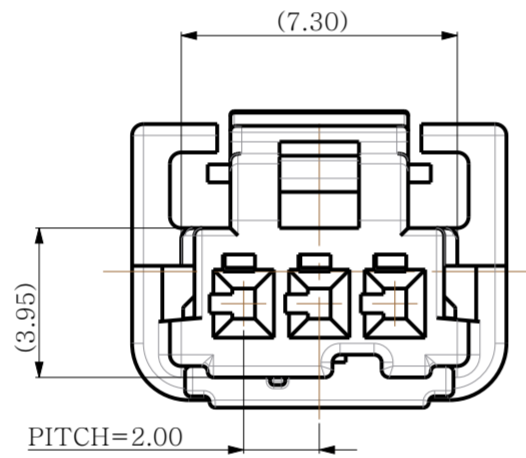
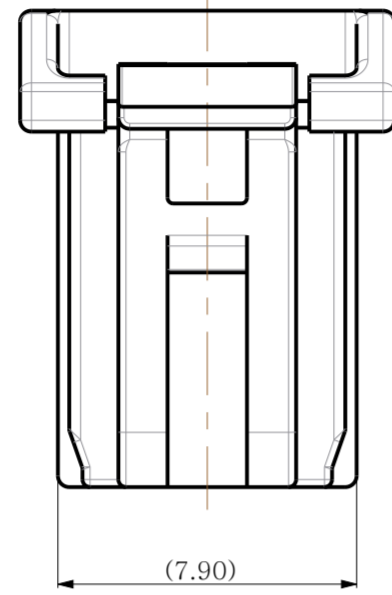
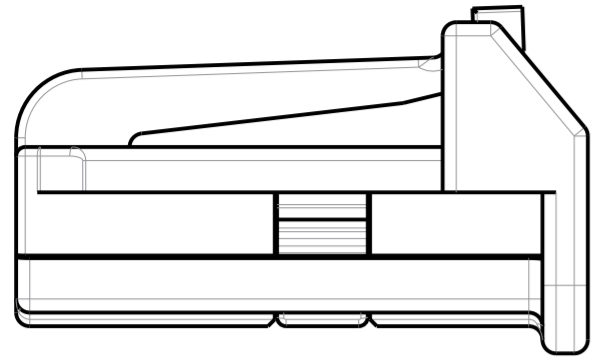
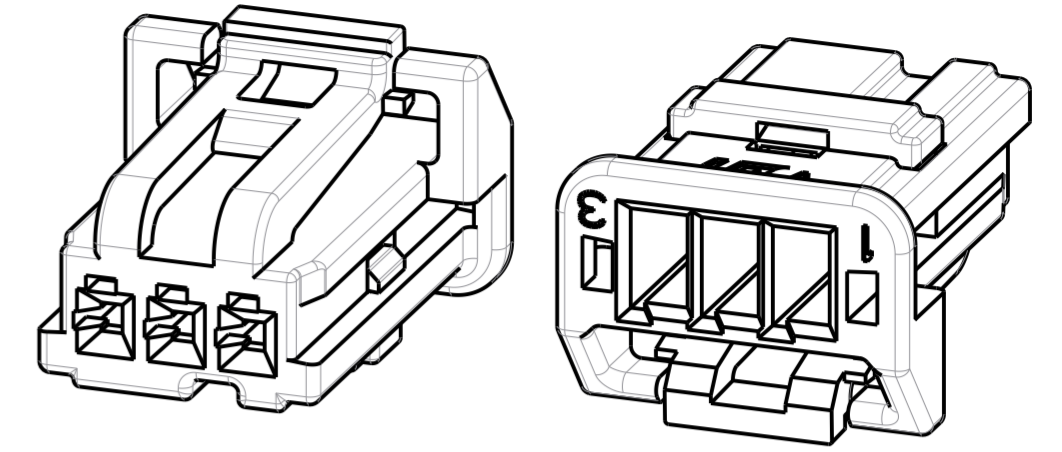
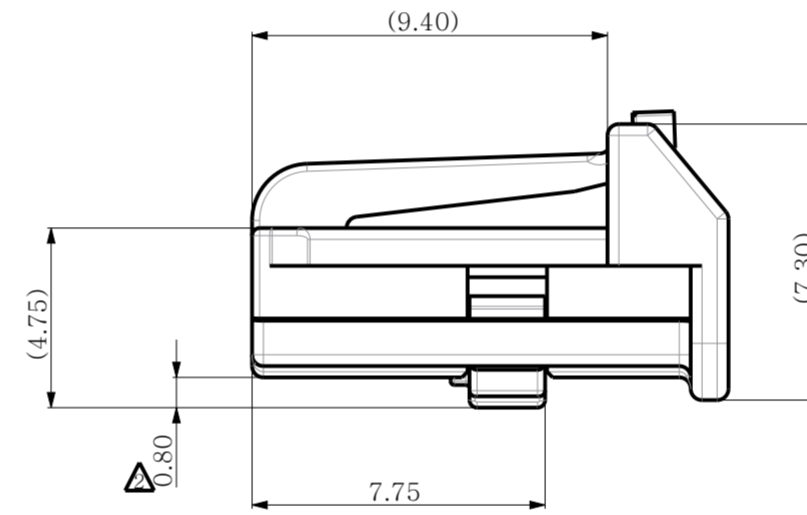
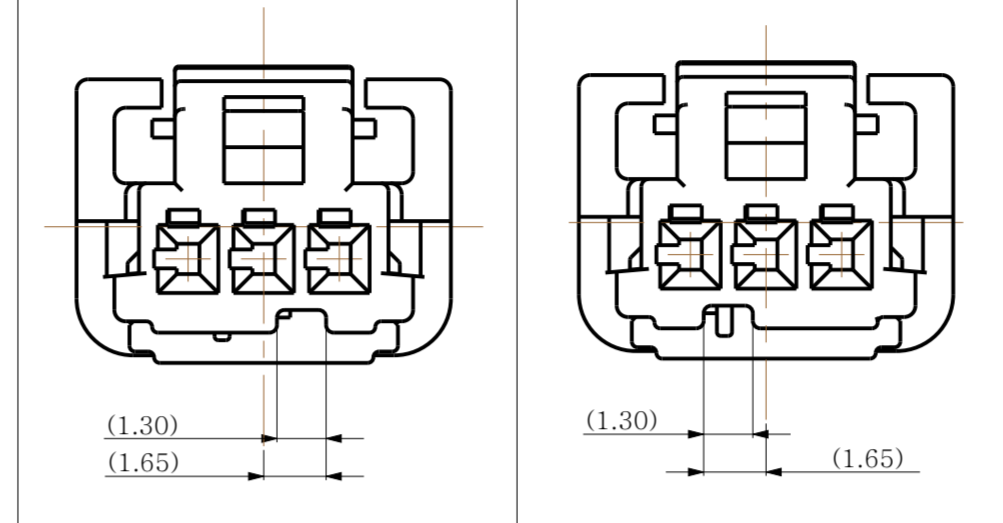


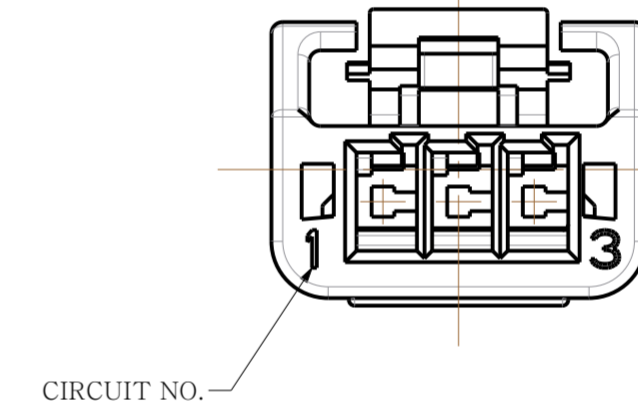
TPA SECONDARY LOCK POSITION



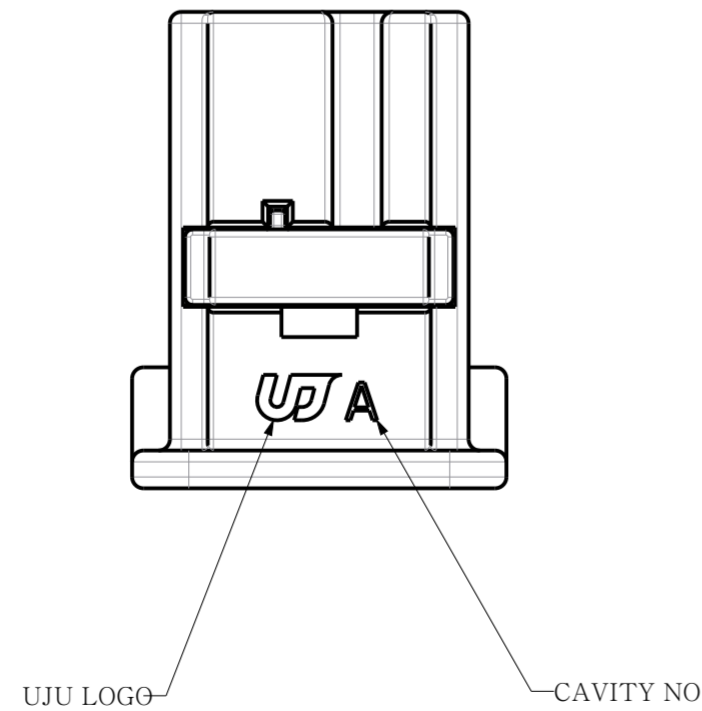
CODE A (NATURAL) CADE B (BLACK)



ISO VIEW



CIRCUIT NO.




UJU LOGO


CAVITY NO

- NOTE.
1. GENERAL TOLERANCE : $\pm 0.3, \pm 3^\circ$
 2. DELIVERY CONDITION : TPA FIRST LOCK POSITION
 3. BURR 0.3 MAX.
 4. NO CRACK.
 5. ALL LETTERS SHALL BE CLEAR AND LEGIBLE

REV	REVISION RECORD	DATE	DRWN	CHKD	APVD
4	RELEASED	22.NOV'19	DR	KH	CY

NO	DESCRIPTION	MATERIAL	FINISH/COLOR	Q'TY
2	020_D_3P_TPA_HSG_GN	PBT GF10	GREEN	1
1	020_D_3F_HSG_BK	PBT GF10	BLACK	1
	020_D_3F_HSG_NR	PBT GF10	NATURAL	1

DRWN	DR KOO	 (주)우주일렉트로닉스 UJU Electronics co.,Ltd.			
CHKD	KH PARK				
APVD	CY CHOI				
NAME		020_D_3F_ASSY			
MATERIAL		CUSTOMER DRAWING		DRAWING NO	
FINISH/COLOR		SEE TABLE		KH1700101	
ANGLES		SEE TABLE		SHEET	
PRODUCT SPEC		APPLICATION SPEC		1 OF 1	
WEIGHT		LOC		REV	
-		-		A	

TOLERANCES UNLESS OTHERWISE SPECIFIED	UNIT MM	THIRD ANGLE PROJECTION
0 ±		
0.0 ±		
0.00 ±		
0.000 ±		
0.0000 ±		
ANGLES ±		
PRODUCT SPEC	APPLICATION SPEC	
-	-	

DESCRIPTION	CODE	ASSY P/N	REV
020_D_3F_ASSY_BK	B	KH1700101-21	A
020_D_3F_ASSY_NR	A	KH1700101-10	A