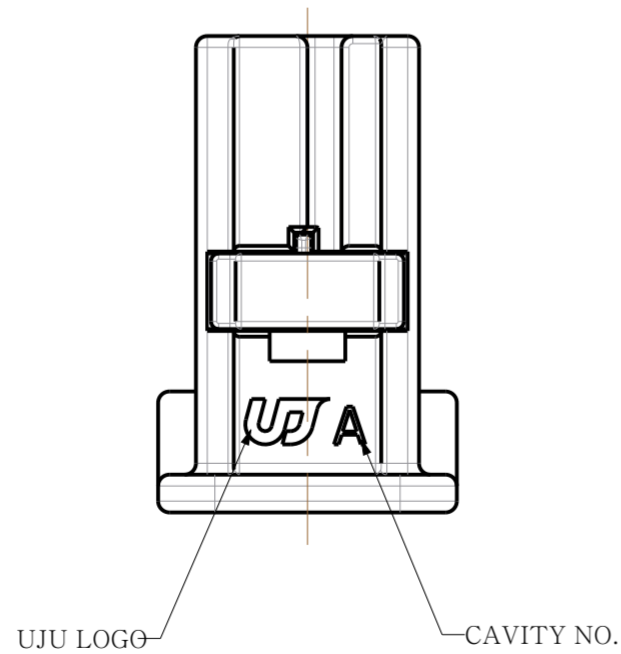
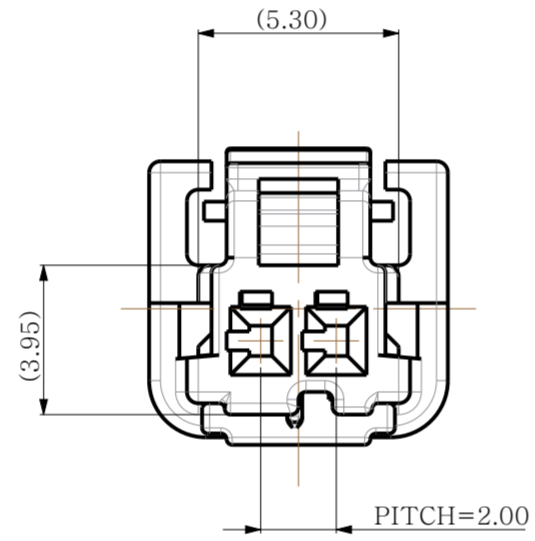
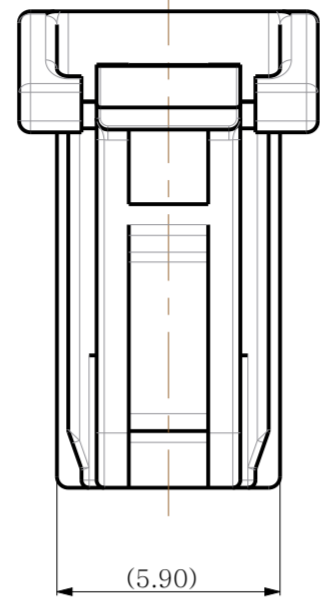
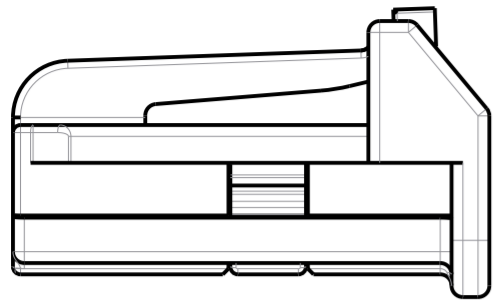
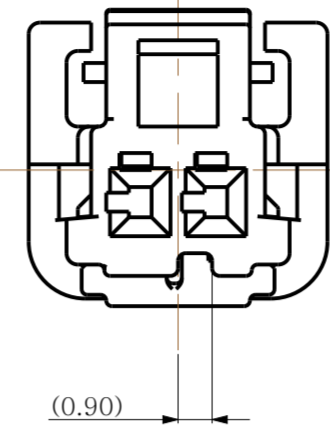


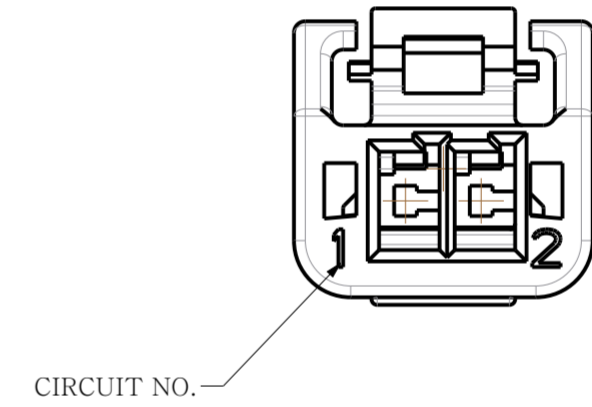
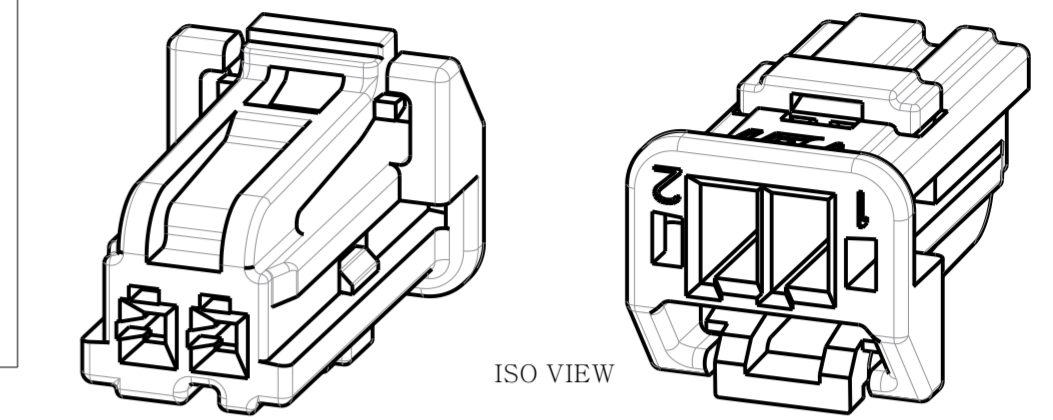
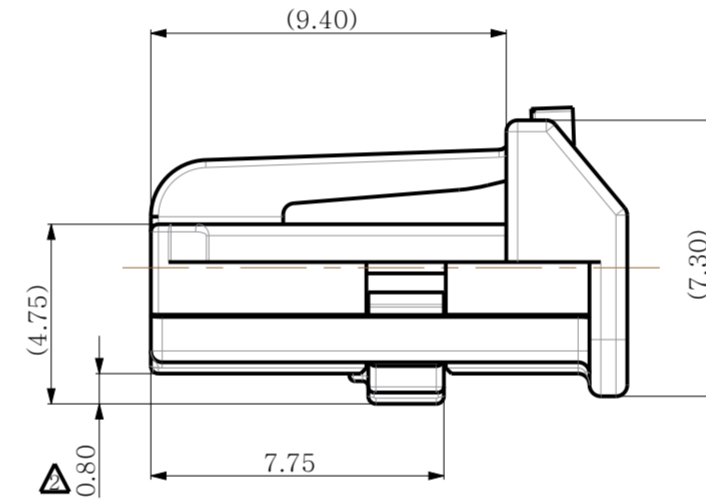
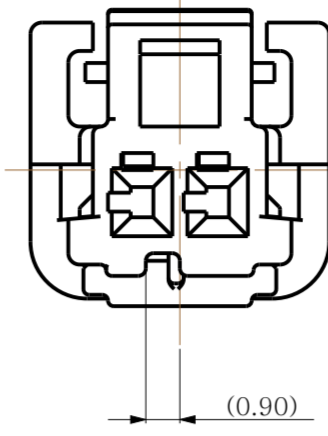
TPA SECONDARY LOCK POSITION



CODE A
(NATURAL)



CODE B
(BLACK)



NOTE.

1. GENERAL TOLERANCE : $\pm 0.3, \pm 3^\circ$

△ DELIVERY CONDITION : TPA FIRST LOCK POSITION

3. BURR 0.3 MAX

4. NO CRACK.

5. ALL LETTERS SHALL BE CLEAR AND LEGIBLE

NO	DESCRIPTION	MATERIAL	FINISH/COLOR	Q'TY
2	020_D_2P_TPA_HSG_GN	PBT GF10	GREEN	1 1
1	020_D_2F_HSG_BK	PBT GF10	BLACK	1 -
	020_D_2F_HSG_NR	PBT GF10	NATURAL	- 1

DRWN	DR KOO	(주)우주일렉트로닉스 UJU Electronics co.,Ltd.	NAME					
CHKD	KH PARK		020_D_2F_ASSY					
APVD	CY CHOI		CUSTOMER DRAWING	DRAWING NO				
MATERIAL		SEE TABLE	KH1700098					
FINISH/COLOR		SEE TABLE	LOC	RESTRICTED TO	SIZE	SCALE	SHEET	REV
PRODUCT SPEC		APPLICATION SPEC	-	-	A2	5:1	1 OF 1	A

TOLERANCES UNLESS OTHERWISE SPECIFIED	UNIT MM	THIRD ANGLE PROJECTION
0 ±		
0.0 ±		
0.00 ±		
0.000 ±		
0.0000 ±		
ANGLES ±		
PRODUCT SPEC	APPLICATION SPEC	WEIGHT
-	-	-

DESCRIPTION	CODE	ASSY PART NO	REV
020_D_2F_ASSY_BK	B	KH1700098-21	A
020_D_2F_ASSY_NR	A	KH1700098-10	A