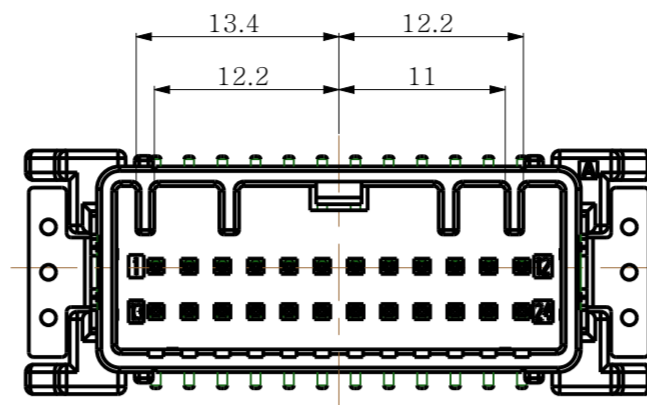
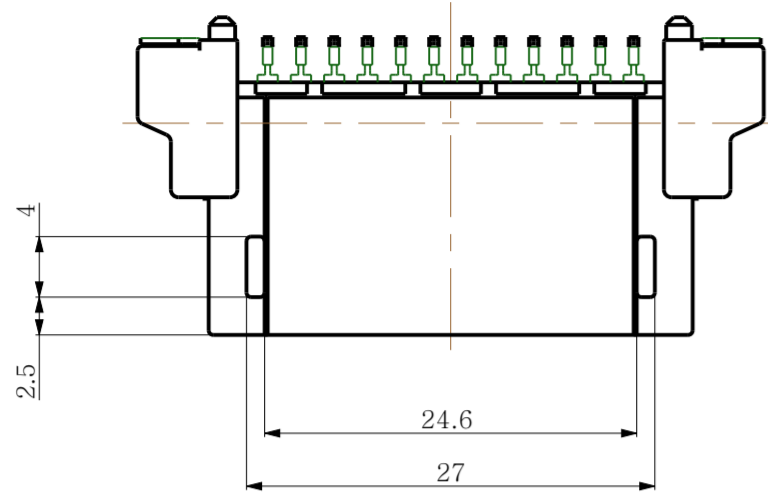
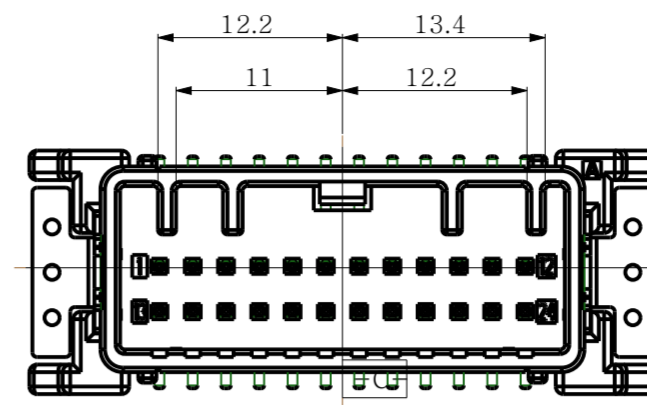


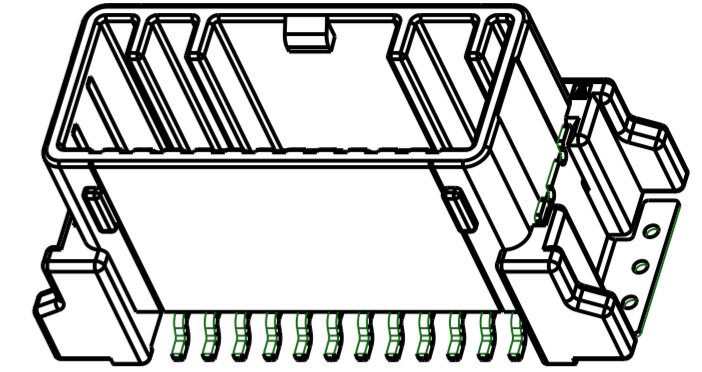
REV	REVISION RECORD	DATE	DRWN	CHKD	APVD
A	RELEASED(RD-2019-104)	2019.07.08	KH	KH	CY



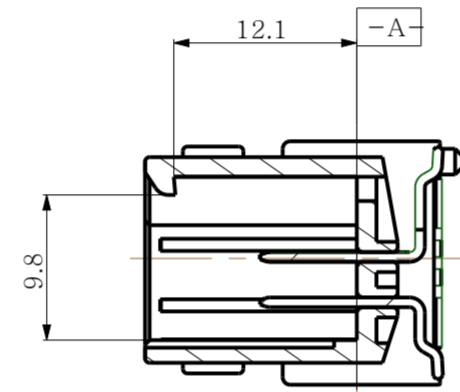
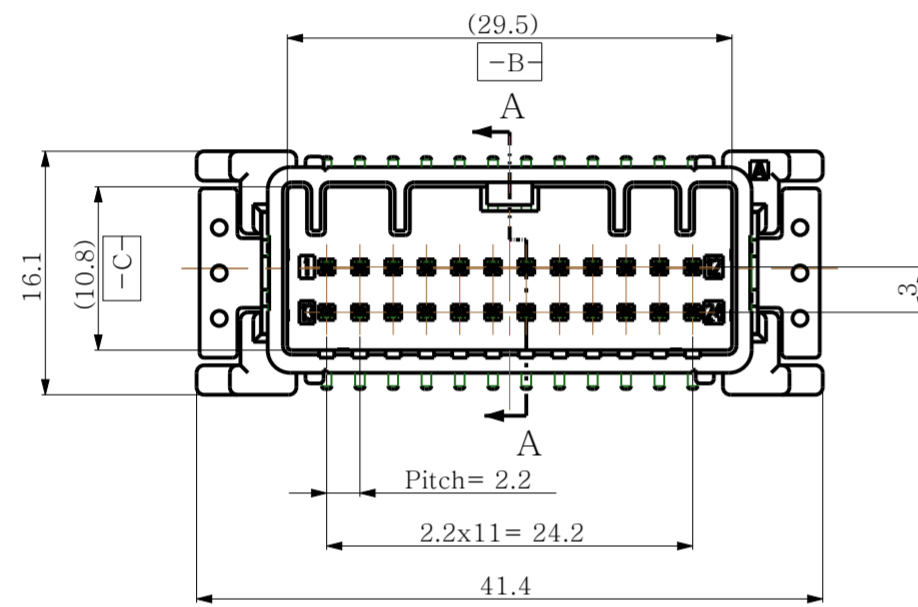
CODE A



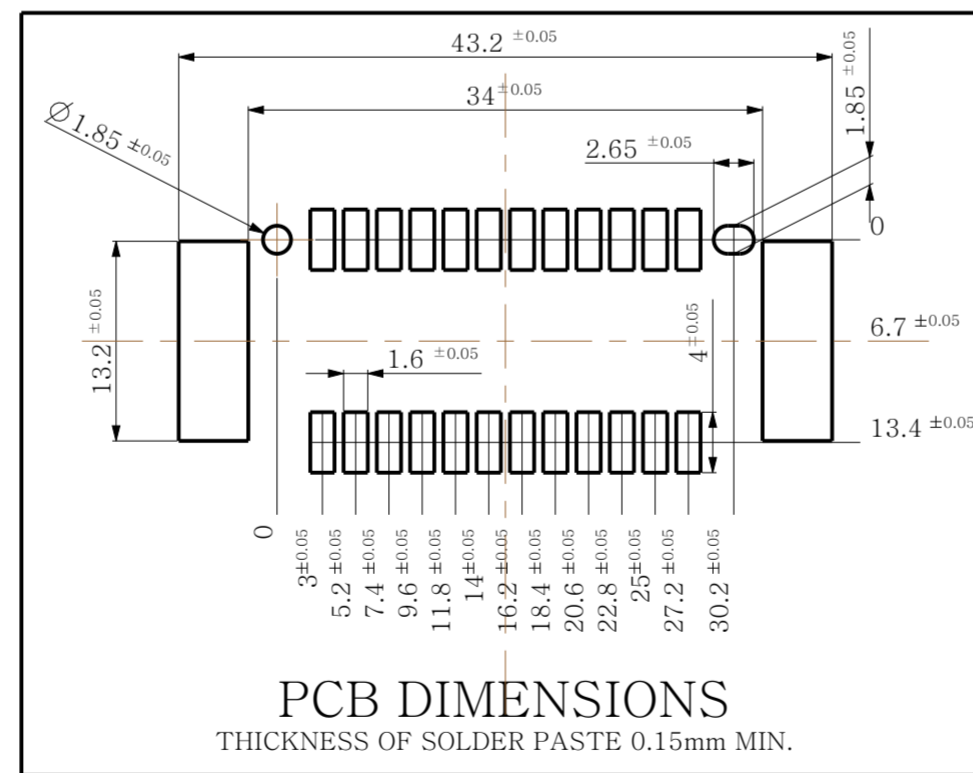
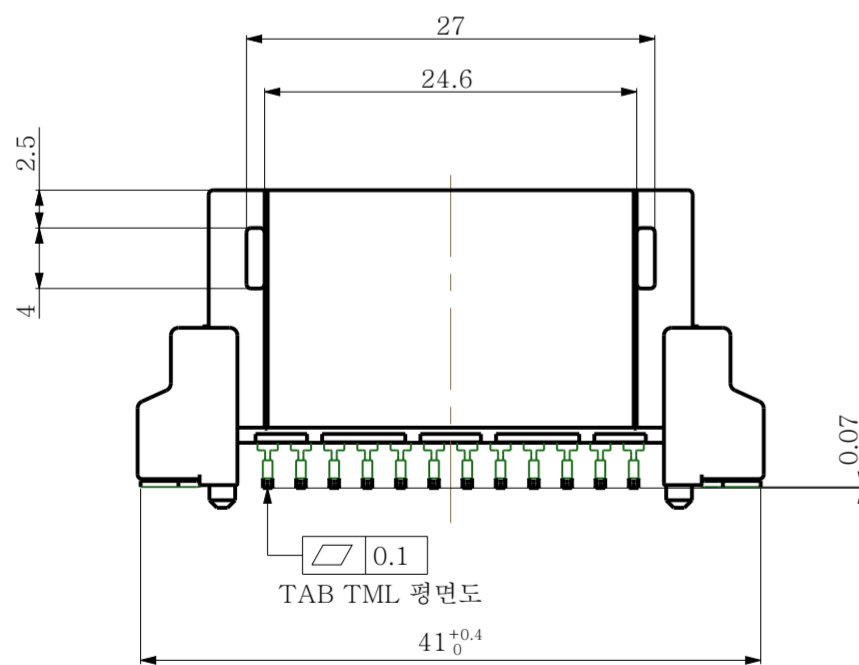
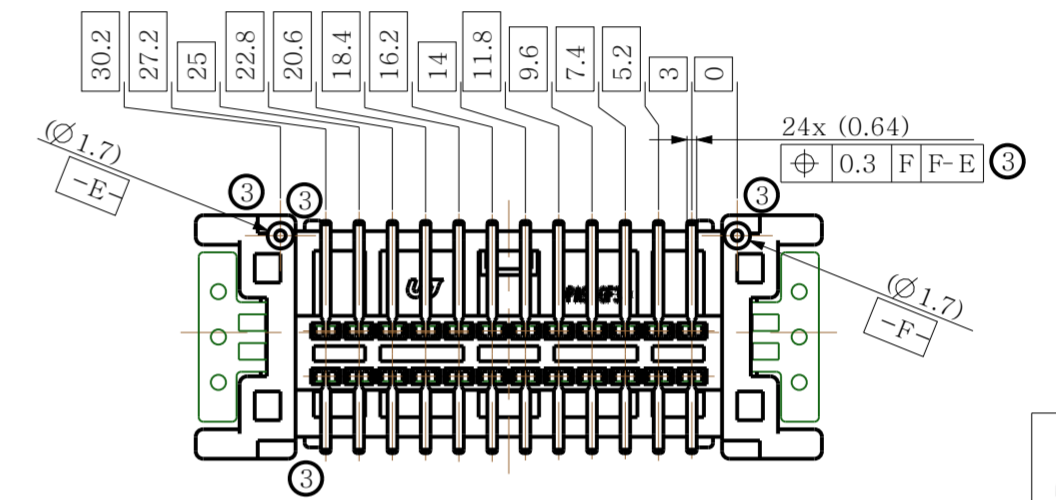
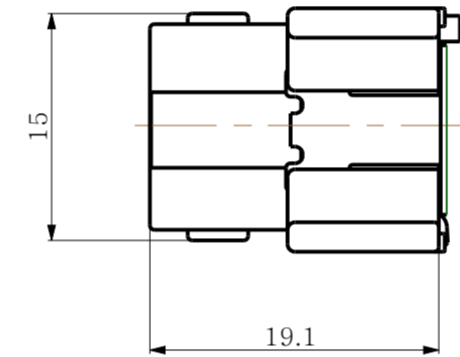
CODE B



3D VIEW



SECTION A-A



PCB DIMENSIONS  
THICKNESS OF SOLDER PASTE 0.15mm MIN.

NOTE.  
1. BURR SIDE IS NOT PERMITTED.  
2. NO CRACK.  
3. 기하공차 항목은 Vision으로 검사

NO.	DESCRIPTION	PART NO.	CODE	MATERIAL	FINISH/COLOR	Q'TY	Q'TY
4	TR_SMT_V_SPeg_L	KM1700074-20	-	BRASS	POST-TIN	2	2
3	025_TR_SMT_V_TAB_L_POT	KM1700073-20	-	BRASS	POST-TIN	12	12
2	025_TR_SMT_V_TAB_S_POT	KM1700072-20	-	BRASS	POST-TIN	12	12
1	025_TR_SMT_24M_V_HSG_BK	KM1700076-21	B	PA9T-GF33	BLACK	1	
	025_TR_SMT_24M_V_HSG_NR	KM1700076-10	A	PA9T-GF33	NATURAL		1

TOLERANCE							
10MAX	30MAX	50MAX	70MAX	100MAX	120MAX	250MAX	250VR
±0.15	±0.20	±0.30	±0.40	±0.50	±0.75	±0.9	±1.4
ANGLE							
±0.5도							

DRWN	KH.PARK		(주)우주일렉트로닉스 UJU Electronics co.,Ltd.			
CHKD	KH.PARK					
APVD	CY.CHOI					
NAME			025_TR_SMT_24M_V_ASSY			
MATERIAL			SEE TABLE		CUSTOMER	
FINISH/COLOR			SEE TABLE		DRAWING NO	
PRODUCT SPEC			APPLICATION SPEC		KH1700075	
WEIGHT			LOC		RESTRICTED TO	
			SIZE		SCALE	
			SHEET		REV	
			A2		2:1	
			1 OF 1		A	