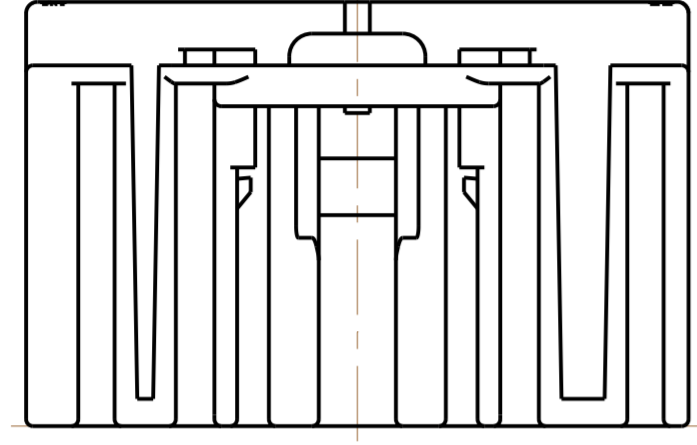
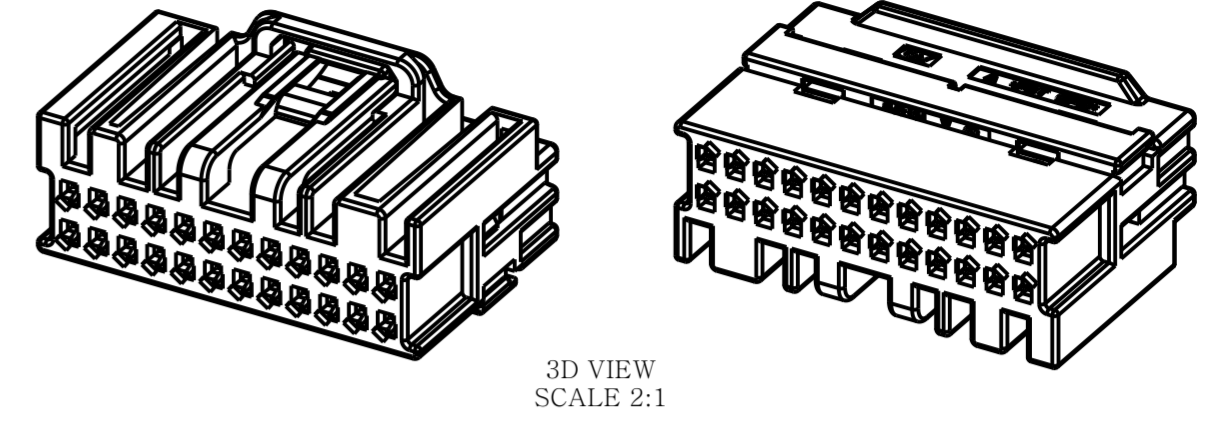
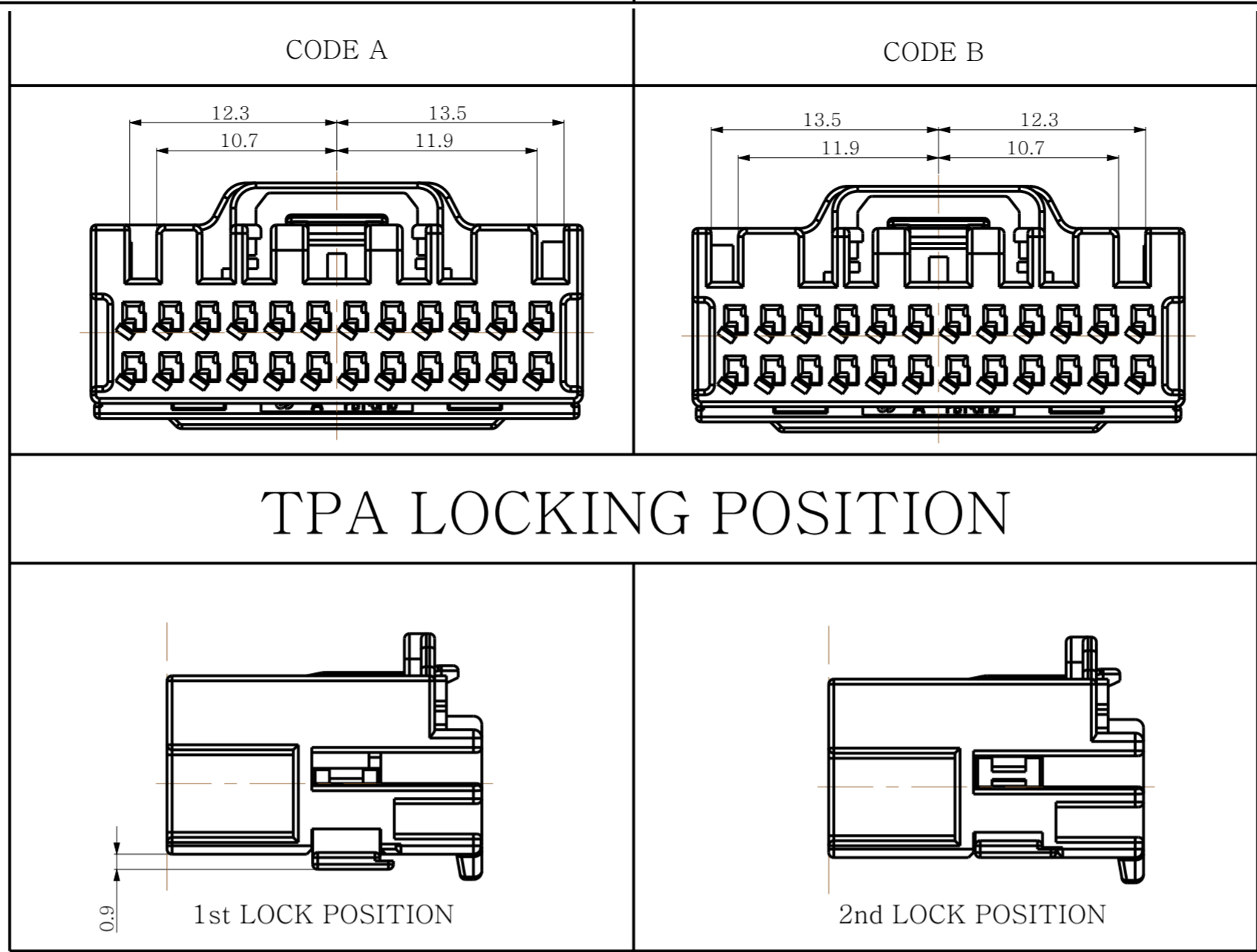
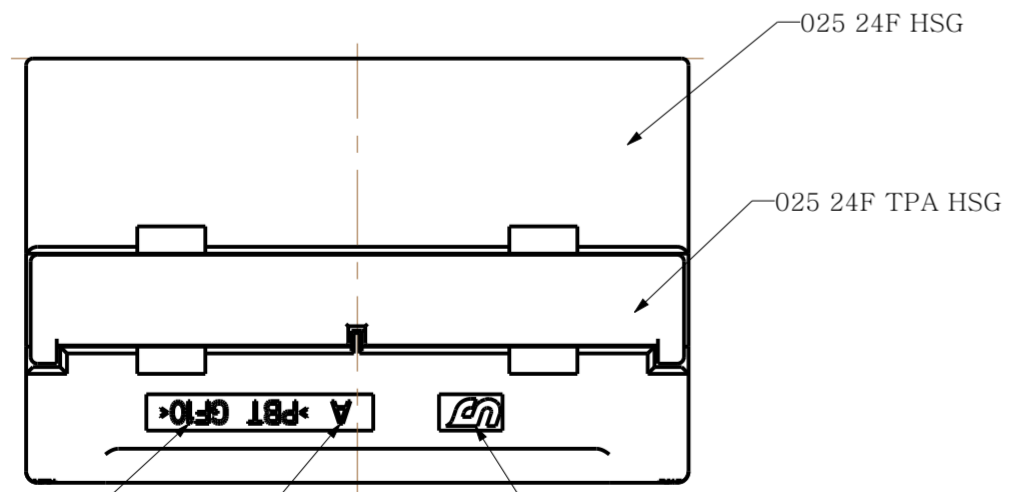
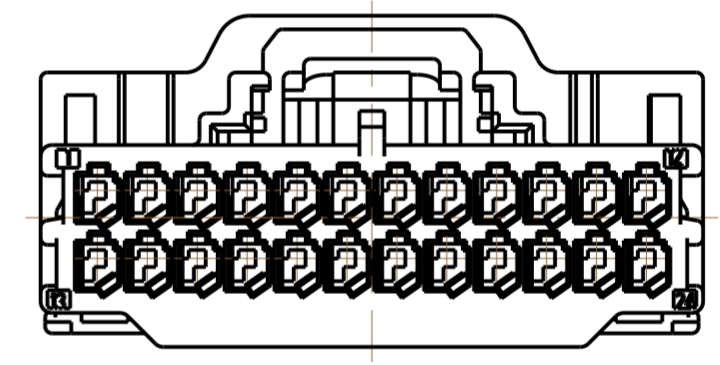
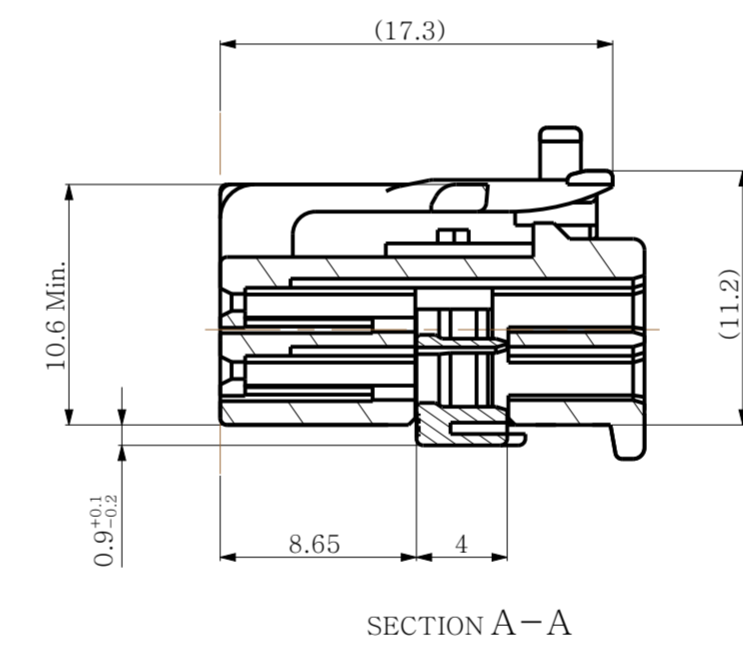
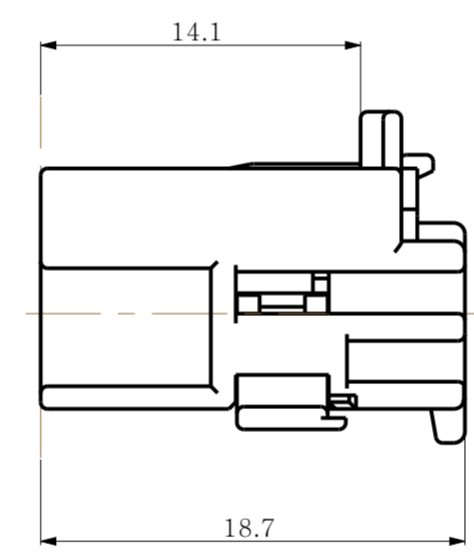
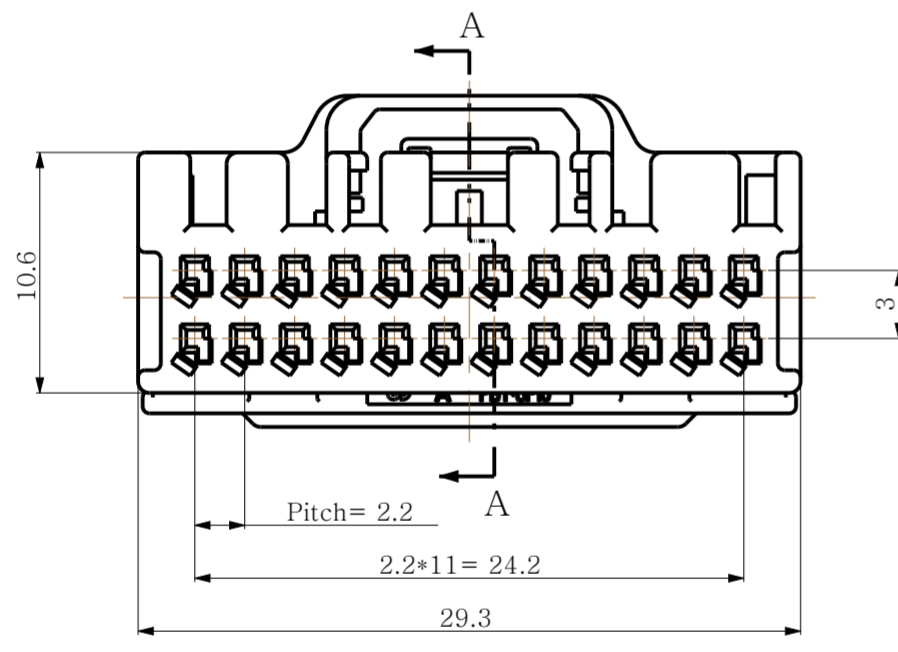


| REV | REVISION RECORD | DATE | DRWN | CHKD | APVD |
|-----|-----------------------|------------|------|------|------|
| 1 | RELEASED(RD-2019-104) | 2019.07.08 | KH | KH | CY |



TPA LOCKING POSITION



NOTE.
 1. GENERAL TOLERANCE : SEE TOLERANCE TABLE
 2. DELIVERY CONDITION : TPA FIRST LOCK POSITION.
 3. APPLICABLE RECEPTACLE : TABLE-2

TABLE-1

| NO. | DESCRIPTION | PART NO. | CODE | MATERIAL | FINISH/COLOR | Q'TY | Q'TY |
|-----|-------------------|--------------|------|----------|--------------|------|------|
| 2 | 025_TR_24F_TPA | KM1700069-70 | - | PBT-GF10 | GREEN | 1 | 1 |
| 1 | 025_TR_24F_HSG_BK | KM1700068-21 | B | PBT-GF10 | BLACK | 1 | |
| | 025_TR_24F_HSG_NR | KM1700068-10 | A | PBT-GF10 | NATURAL | | 1 |

TABLE-2

| DESCRIPTION | PART NO. | MATERIAL | WIRE SIZE(mm2) |
|-------------|--------------|--------------|----------------|
| 025 REC(M) | KH1200031-21 | COPPER ALLOY | 0.3~0.5 |
| 025 REC(S) | KH1200031-20 | COPPER ALLOY | 0.22 |

| TOLERANCE | | | | | | | | |
|-----------|-------|-------|-------|--------|--------|--------|-------|-------|
| 10MAX | 30MAX | 50MAX | 70MAX | 100MAX | 120MAX | 250MAX | 250VR | ANGLE |
| ±0.15 | ±0.20 | ±0.30 | ±0.40 | ±0.50 | ±0.75 | ±0.9 | ±1.4 | ±0.5° |

| | | | |
|--------------|---------------|------|---|
| DRWN | KH.PARK | | (주)우주일렉트로닉스 UJU Electronics co.,Ltd. |
| CHKD | KH.PARK | | |
| APVD | CY.CHOI | | |
| MATERIAL | | | NAME |
| SEE TABLE | | | 025_TR_24F_ASSY |
| FINISH/COLOR | | | CUSTOMER |
| SEE TABLE | | | DRAWING NO |
| WEIGHT | | | KH1700067 |
| LOC | RESTRICTED TO | SIZE | SHEET |
| | | A2 | 1 OF 1 |
| SCALE | 3:1 | REV | A |