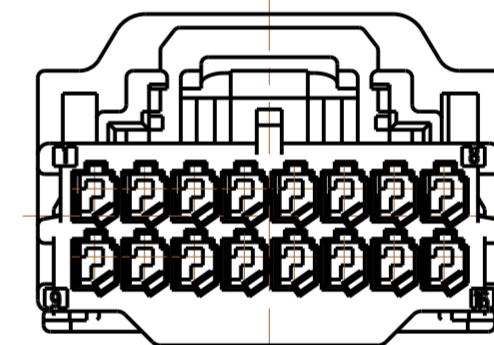
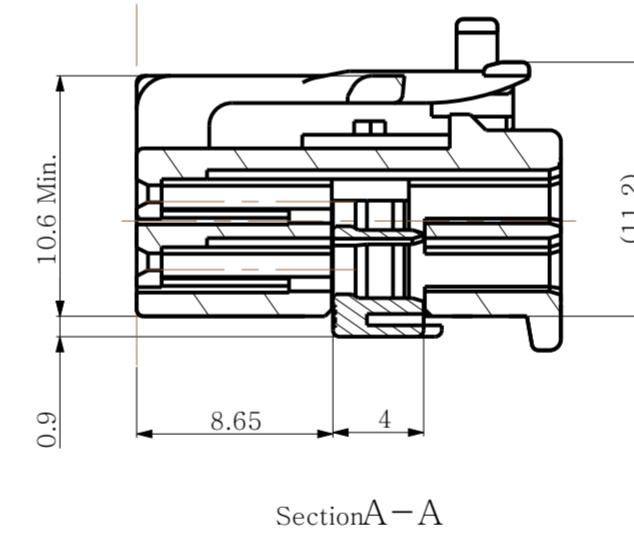
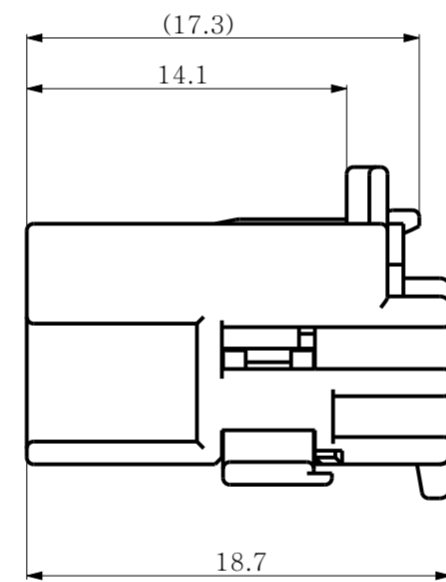
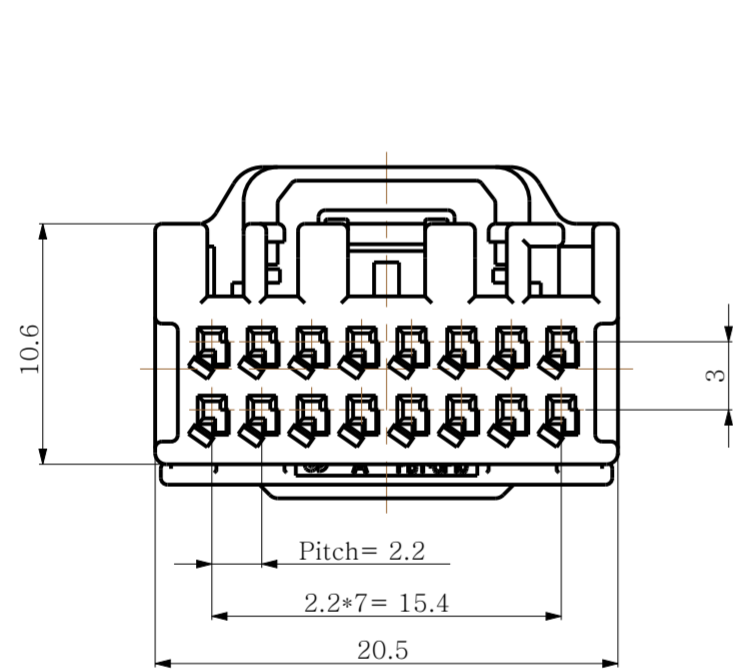
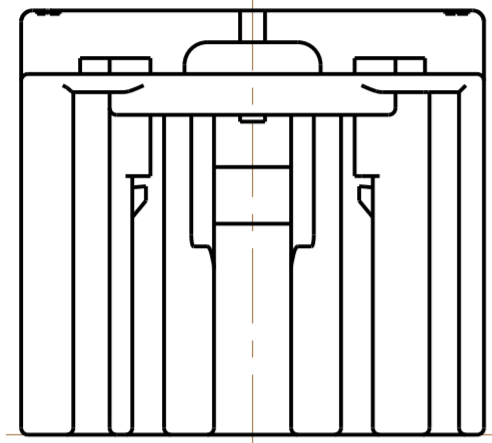
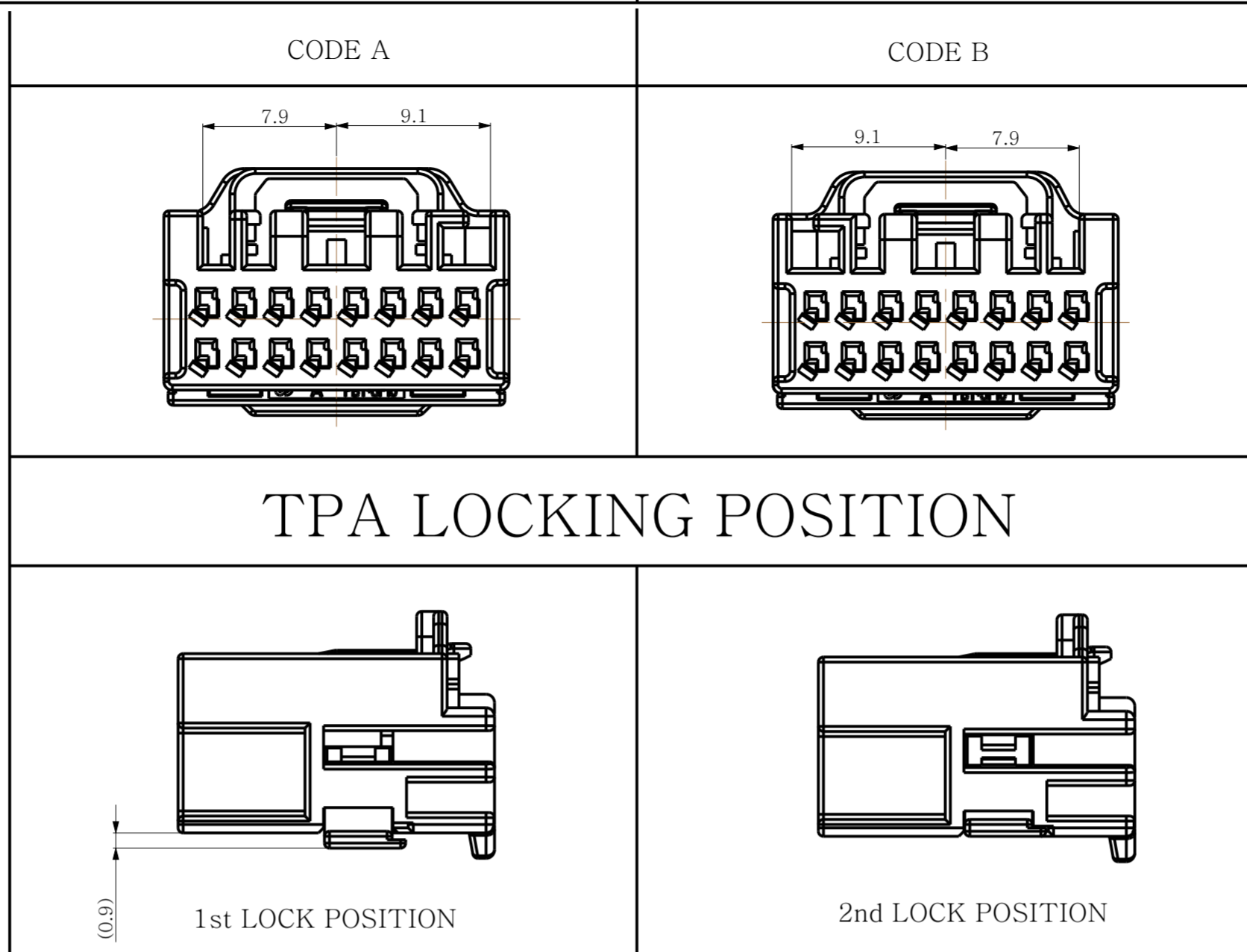
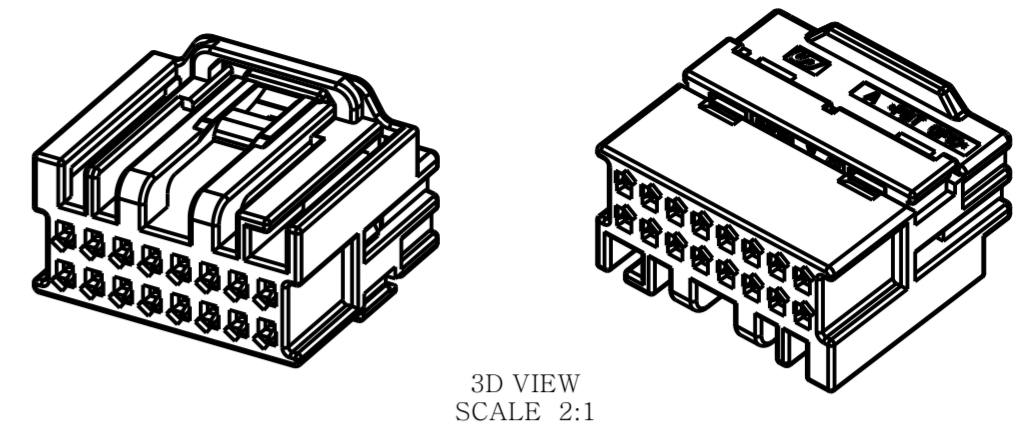


REV	REVISION RECORD	DATE	DRWN	CHKD	APVD
A	REVISED(RD-2019-060)	2019.04.15	KH	-	CY



DESCRIPTION	ASSY PART NO.	CODE
025_TR_16F_ASSY_BK	KH1700064-21	B
025_TR_16F_ASSY_NR	KH1700064-10	A

TABLE-1

NO.	DESCRIPTION	PART NO.	CODE	MATERIAL	FINISH/COLOR	Q'TY	Q'TY
2	025_TR_16F_TPA	KM1700066-70	-	PBT-GF10	GREEN	1	1
1	025_TR_16F_HSG_BK	KM1700065-21	B	PBT-GF10	BLACK	1	
	025_TR_16F_HSG_NR	KM1700065-10	A	PBT-GF10	NATURAL		1

NOTE.

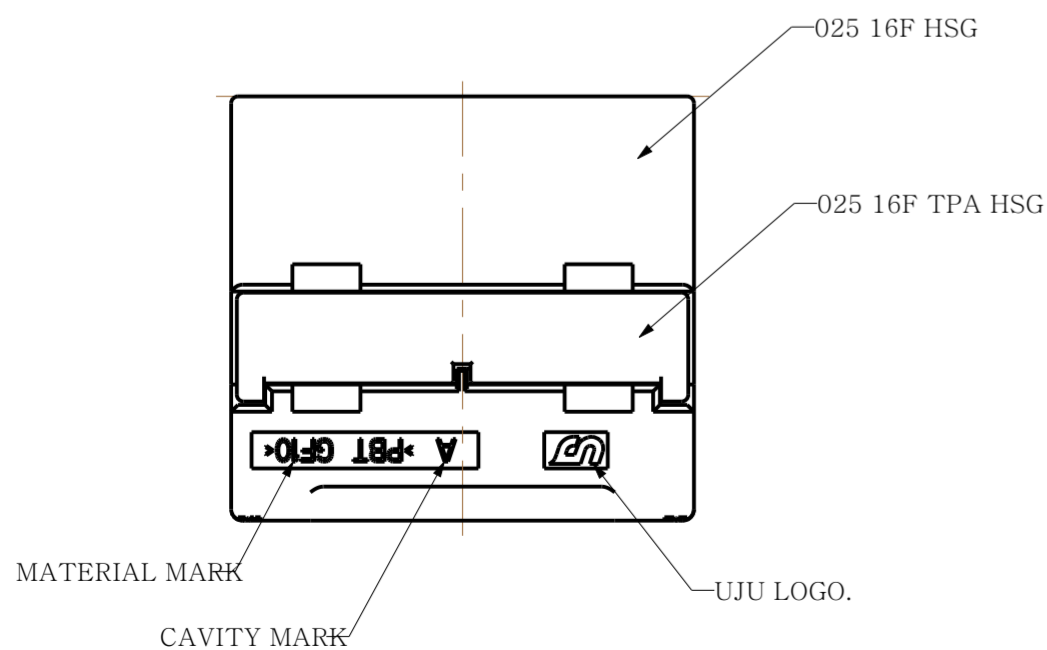
1. GENERAL TOLERANCE : SEE TOLERANCE TABLE
2. DELIVERY CONDITION : TPA FIRST LOCK POSITION.
3. APPLICABLE RECEPTACLE : TABLE-2

TABLE-2

DESCRIPTION	PART NO.	MATERIAL	WIRE SIZE(mm2)
025 REC(M)	KH1200031-21	COPPER ALLOY	0.3~0.5
025 REC(S)	KH1200031-20	COPPER ALLOY	0.22

TOLERANCES UNLESS OTHERWISE SPECIFIED	UNIT MM	THIRD ANGLE PROJECTION
0 ±		
0.0 ±		
0.00 ±		
0.000 ±		
0.000 ±		
ANGLES ±		
PRODUCT SPEC	APPLICATION SPEC	

DRWN KH.PARK	(주)우주일렉트로닉스 UJU Electronics co.,Ltd.			
CHKD -				
APVD CY.CHOI	NAME 025_TR_16F_ASSY			
MATERIAL SEE TABLE	CUSTOMER DRAWING	DRAWING NO KH1700064		
FINISH/COLOR SEE TABLE	SHEET 1 OF 1			
WEIGHT	LOC	RESTRICTED TO	SIZE A2	SCALE 3:1
				REV A



TOLERANCE	10MAX	30MAX	50MAX	70MAX	100MAX	120MAX	250MAX	250VR	ANGLE
	±0.15	±0.20	±0.30	±0.40	±0.50	±0.75	±0.9	±1.4	±0.5°