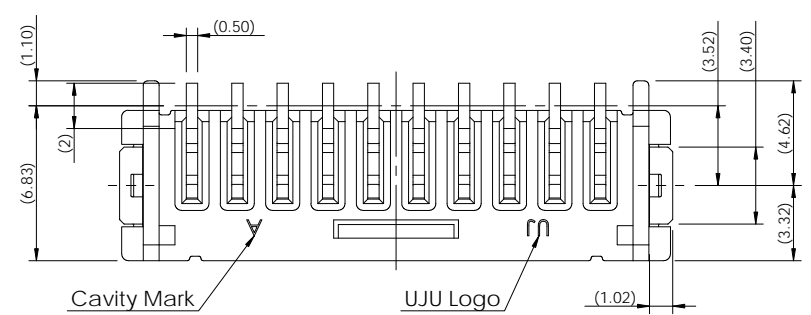
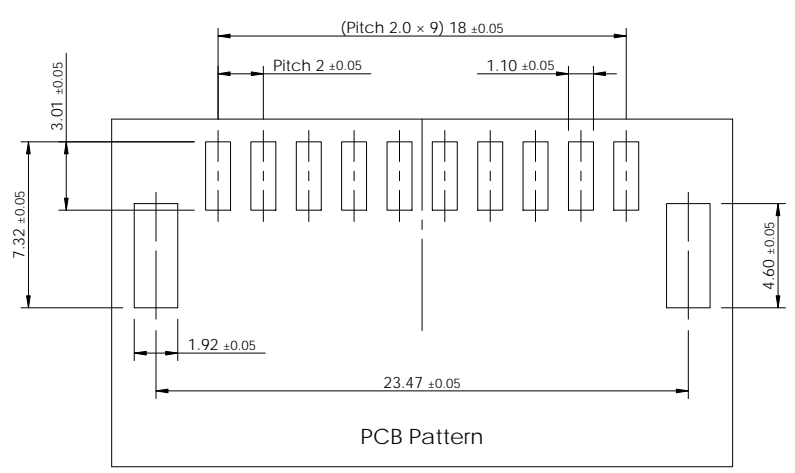
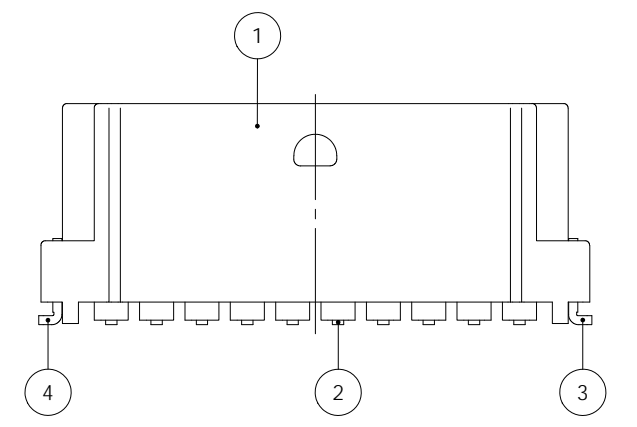
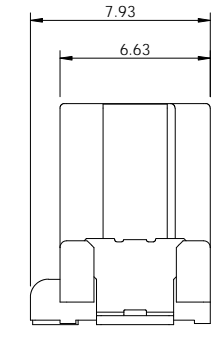
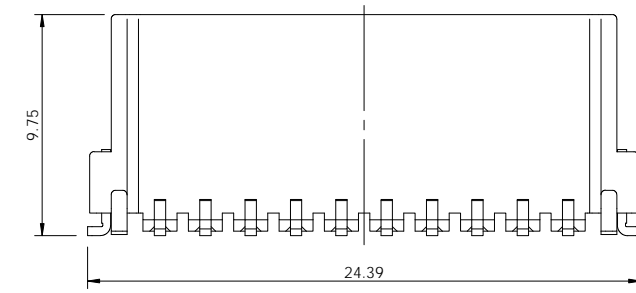
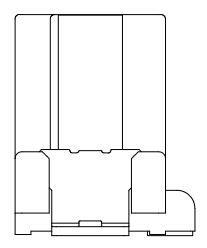
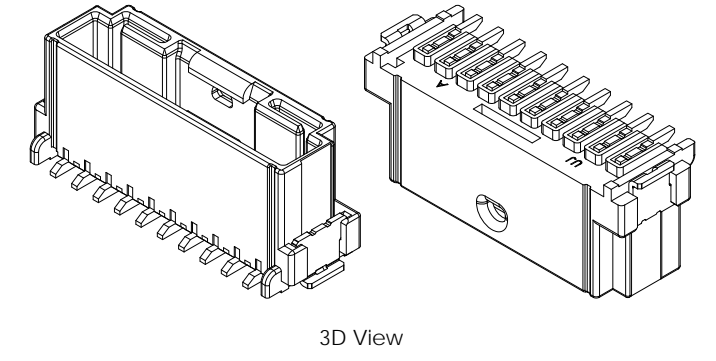
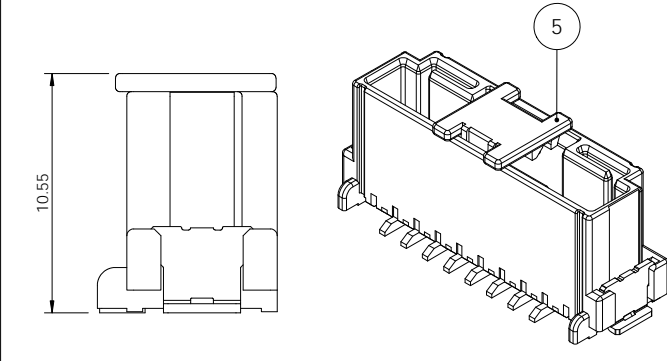
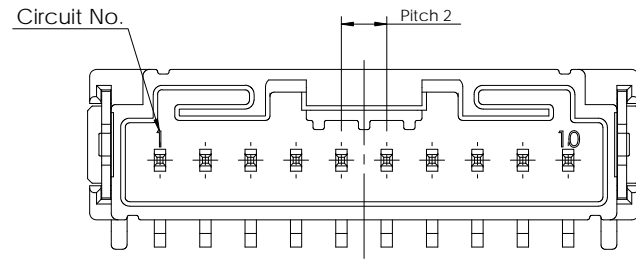


REV	REVISION RECORD	DATE	DRWN	CHKD	APVD
A	RELEASED	06 NOV '18	JK	SH	MJ



-Note-
1. General Tolerance : ±0.30

No.	Description	Material	Finish / Color	Q'ty
5	020_S_BL_SMT_Cover	PA9T-GF30	Black	1
4	020 S SMT Solder Peg VTC-R	Copper Alloy	Post-Tin	1
3	020 S SMT Solder Peg VTC-L	Copper Alloy	Post-Tin	1
2	020 S SMT Tab TML VTC	Copper Alloy	Post-Tin	10
1	020_S_BL_SMT_10M_V_HSG	PA9T-GF30	Black	1
			Natural	1

KH1700018-20	KH1700018-10	Ass'y Part No.
--------------	--------------	----------------

TOLERANCES UNLESS OTHERWISE SPECIFIED	UNIT MM
0 ±	THD ANGLE PROJECTION
0.0 ±	ANGLES
0.00 ±	PRODUCT SPEC
0.000 ±	APPLICATION SPEC
0.0000 ±	

DRWN JK. HWANG	NAME
CHKD SH. LEE	020_S_BL_SMT_10M_V_ASSY
APVD MJ. BANG	CUSTOMER DRAWING
MATERIAL SEE TABLE	DRAWING NO KH1700018
FINISH/COLOR SEE TABLE	LOC RESTRICTED TO
WEIGHT	SIZE A3
	SCALE 3:1
	SHEET 1 of 1
	REV A

 (주)우주 일렉트로닉스 UJU Electronics co.,Ltd.		REV
		A