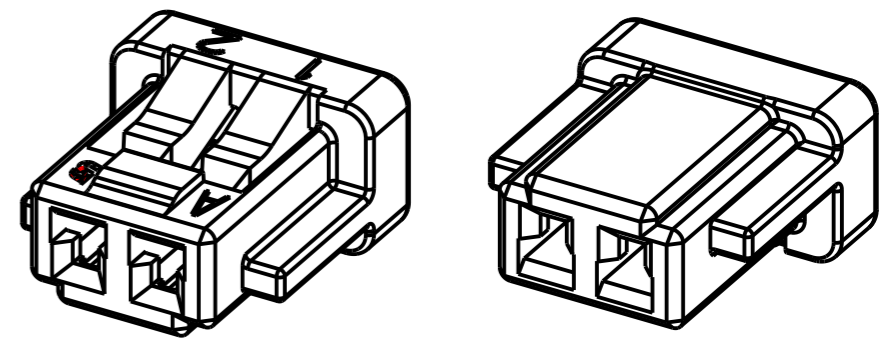
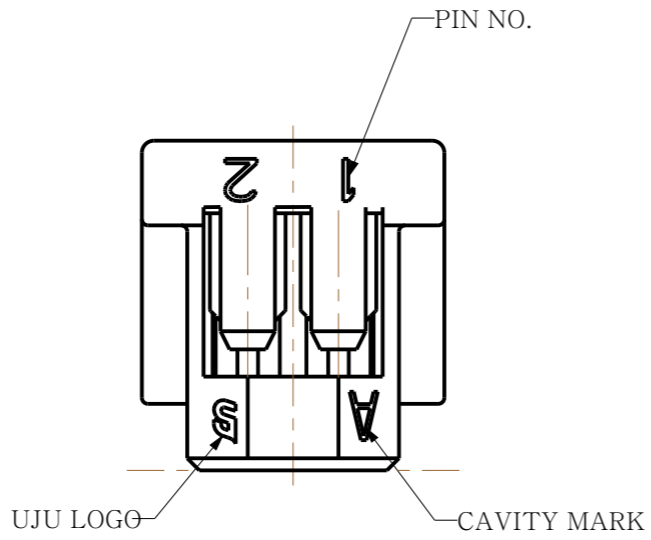
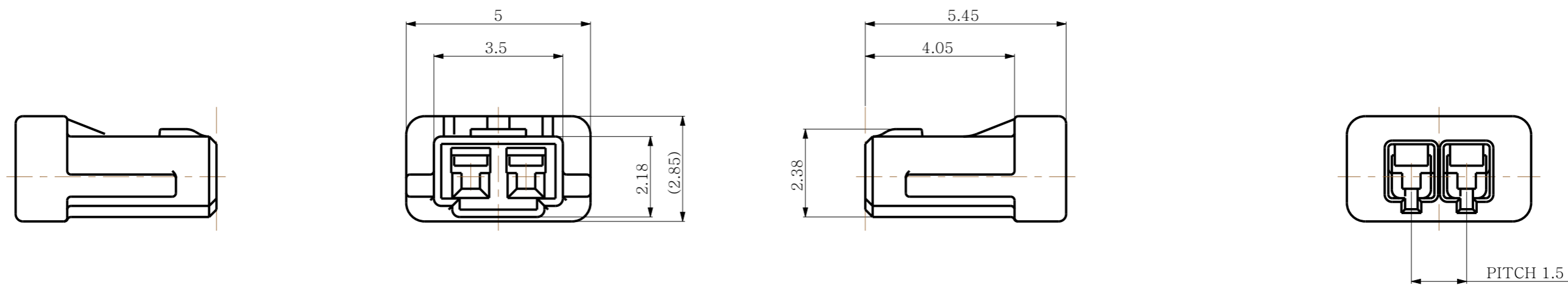


| REV | REVISION RECORD | DATE | DRWN | CHKD | APVD |
|-----|----------------------|-----------|------|------|------|
| A | REVISED(RD-2018-017) | 19.FEB'18 | KH | - | CY |



3D VIEW



NOTE
 1. GENERAL TOLERANCE : SEE TABLE TOLERANCE
 2. APPLICABLE RECEPTACLE TERMINAL : KH1600050-21

| NO. | DESCRIPTION | PART NO. | MATERIAL | FINISH/COLOR |
|-----|-------------|--------------|-----------|--------------|
| 1 | 015 2F HSG | KH1600051-20 | PA66-GF30 | BLACK |
| | 015 2F HSG | KH1600051-10 | PA66-GF30 | NATURAL |

| | | | | |
|---------------------------|-----------------------------------------|---------------|-----------------|--------------|
| DRWN KH.PARK | (주)우주일렉트로닉스 UJU Electronics co.,Ltd. | | | |
| CHKD - | | | | |
| APVD CY.CHOI | NAME 015 2F HSG | | | |
| MATERIAL SEE TABLE | CUSTOMER | DRAWING NO | | |
| FINISH/COLOR SEE TABLE | DRAWING | KH1600051 | | |
| WEIGHT | LOC | RESTRICTED TO | SIZE A3 | SCALE 8:1 |
| | | | SHEET 1 OF 1 | REV A |

| TOLERANCE | | | | | | | | |
|-----------|-------|-------|-------|--------|--------|--------|-------|-------|
| 10MAX | 30MAX | 50MAX | 70MAX | 100MAX | 120MAX | 250MAX | 250VR | ANGLE |
| ±0.15 | ±0.20 | ±0.30 | ±0.40 | ±0.50 | ±0.75 | ±0.9 | ±1.4 | ±0.5도 |

| | |
|---------------------------------------|------------------|
| TOLERANCES UNLESS OTHERWISE SPECIFIED | UNIT MM |
| 0 | ± |
| 0.0 | ± |
| 0.00 | ± |
| 0.000 | ± |
| 0.0000 | ± |
| ANGLES | ± |
| PRODUCT SPEC | APPLICATION SPEC |

