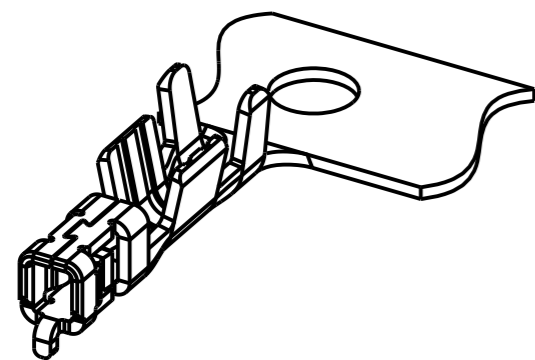
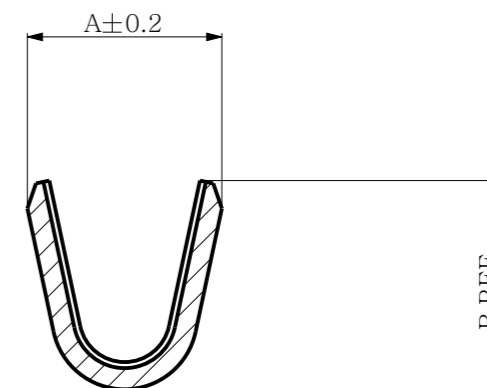
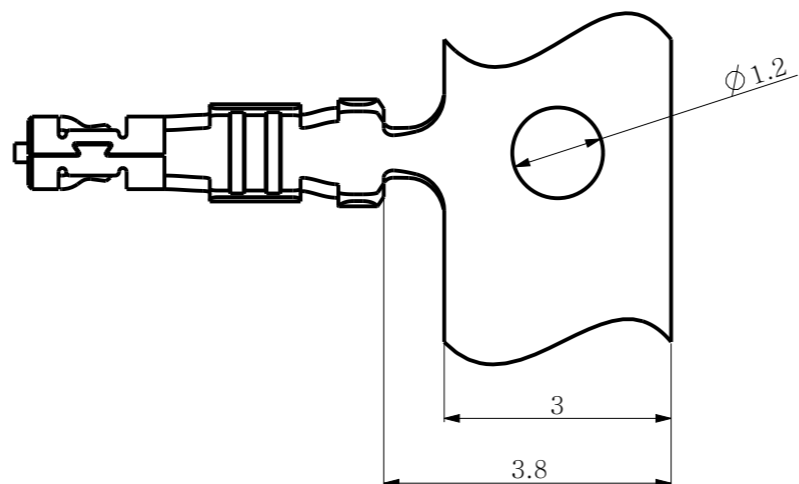


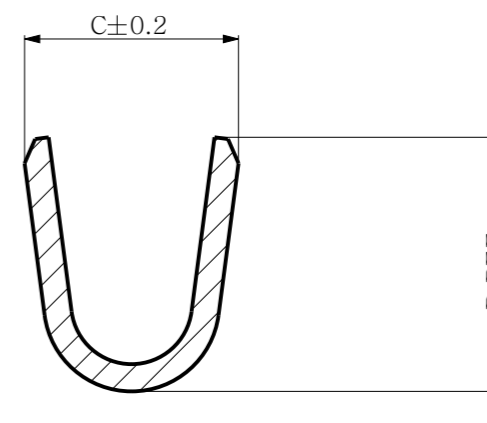
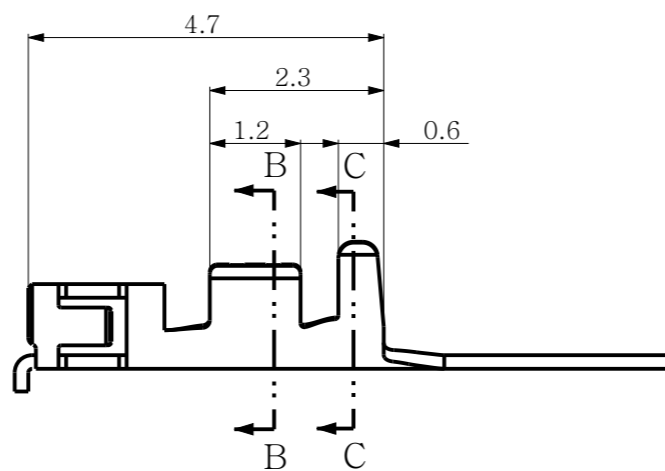
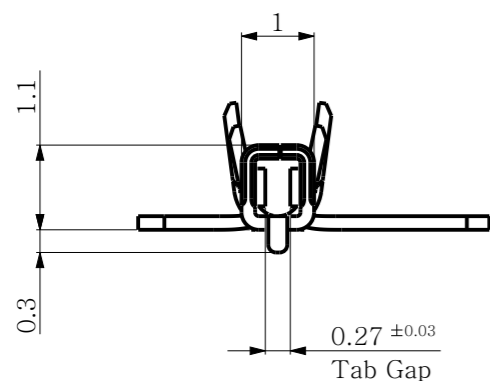
REV	REVISION RECORD	DATE	DRWN	CHKD	APVD
A	RELEASED(RD-2018-004)	15.JAN'18	KH	SH	CY



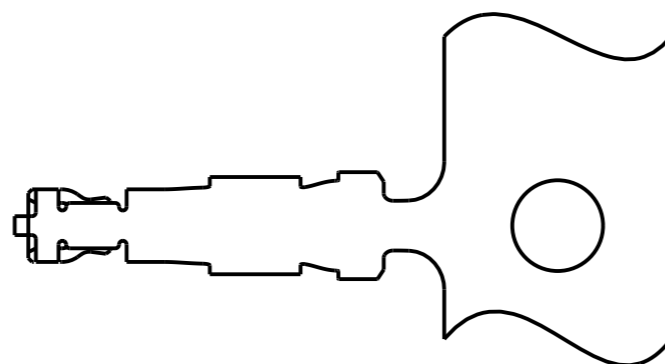
3D VIEW



SECTION B-B
SCALE 20:1



단면 C-C
배율 20:1



1.68	1.41	1.38	1.29	0.22sq (CHFUS0.22)	015 REC	KH1600050-21	COPPER ALLOY	PRE-TIN
(D)	C	(B)	A	APPLICABLE WIRE RANGE	DESCRIPTION	PART NO.	MATERIAL	FINISH


NOTE.
 1. GENERAL TOLERANCE : $\pm 0.15, \pm 3^\circ$
 2. APPLICABLE WIRE : CHFUS 0.22SQ
 3. APPLICATOR FEED : 5mm

TOLERANCES UNLESS OTHERWISE SPECIFIED	UNIT
0	±
0.0	±
0.00	±
0.000	±
0.0000	±
ANGLES	±

UNIT
MM

THIRD ANGLE PROJECTION

PRODUCT SPEC / APPLICATION SPEC

DRWN KH.PARK	 (주)우주일렉트로닉스 UJU Electronics co.,Ltd.			
CHKD SH.LEE				
APVD CY.CHOI	NAME 015 FEMALE TERMINAL			
MATERIAL SEE TABLE	CUSTOMER DRAWING	DRAWING NO KH1600050		
FINISH/COLOR SEE TABLE	LOC	RESTRICTED TO	SIZE A3	SCALE 10:1
WEIGHT			SHEET 1 OF 1	REV A