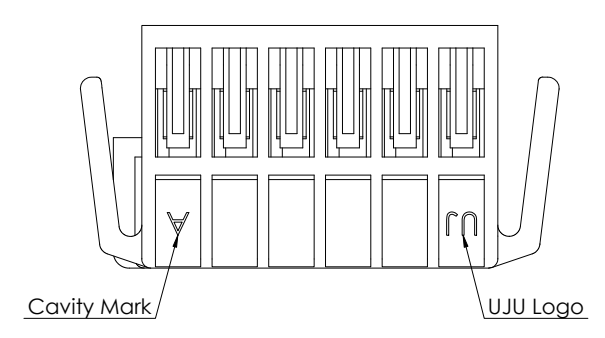
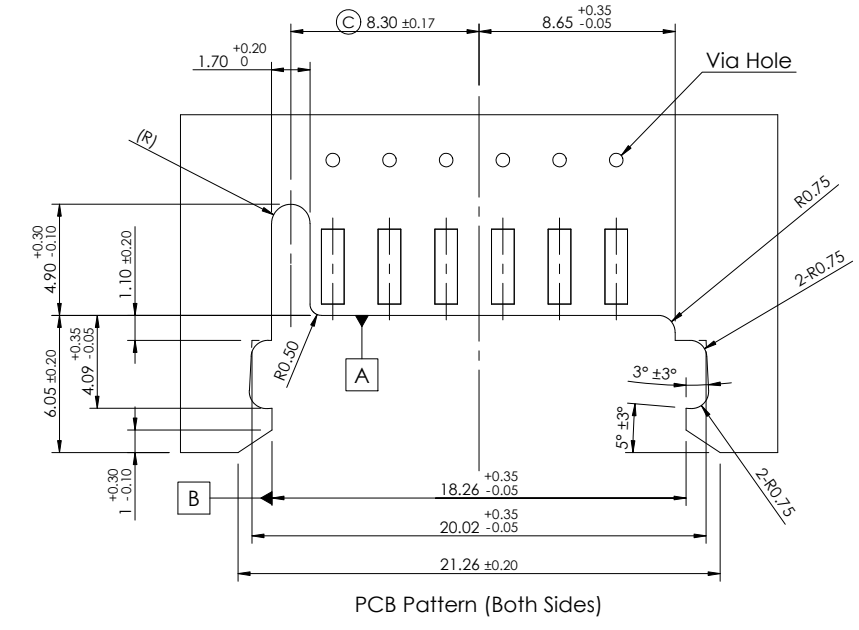
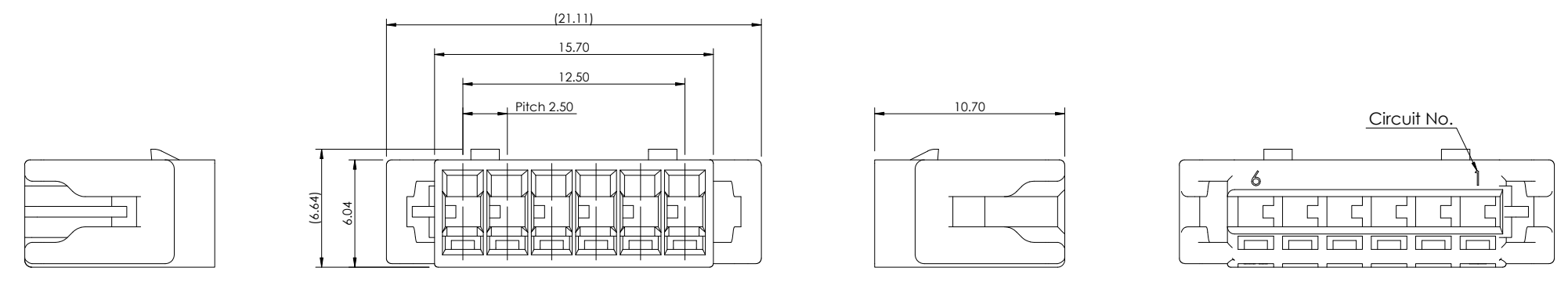
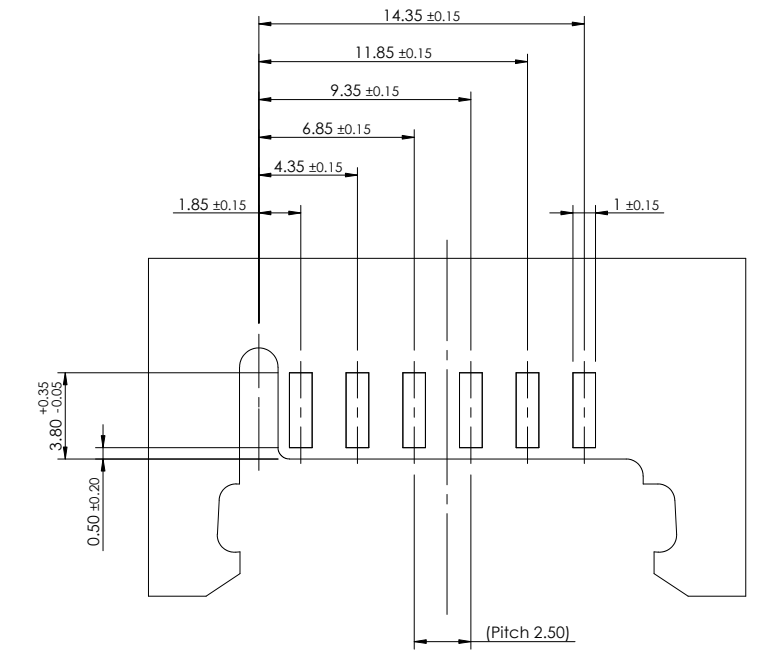
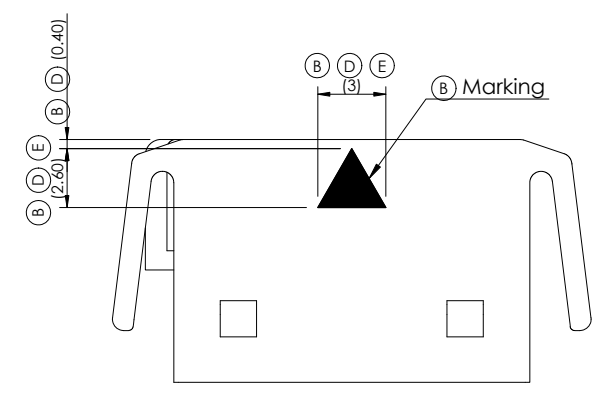
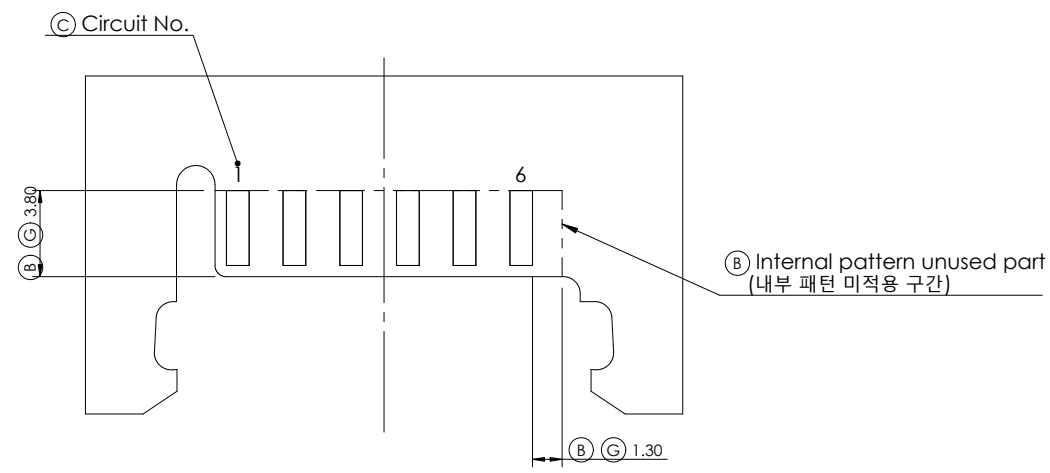
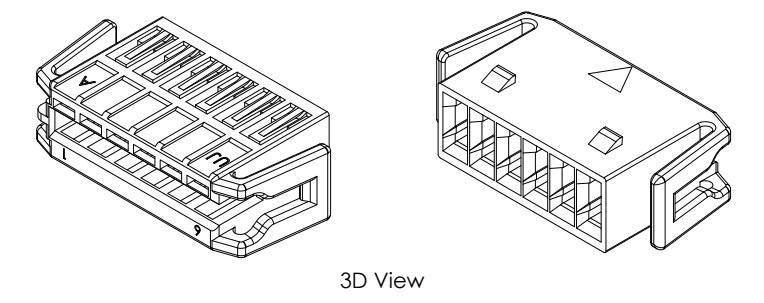


REV	REVISION RECORD	DATE	DRWN	CHKD	APVD
A	RELEASED	29 SEP '17	JK	CY	SJ
B	CHANGED	06 NOV '17	JK	CY	SJ
C	CHANGED	08 NOV '17	JK	CY	SJ
D	CHANGED	19 DEC '17	JK	CY	SJ
E	CHANGED	27 DEC '17	JK	CY	SJ
F	CHANGED	06 MAR '18	JK	SH	MJ
G	CHANGED (RD-2021-025)	25 FEB '21	JK	SH	MJ



- NOTE 1. (Housing)-
1. General Tolerance : ± 0.3
 2. HSG Description : See TABLE 1.
 3. Applicable Receptacle : See TABLE 2.
 4. Optional Applicable T/CPA : See TABLE 3.(E)

TABLE 1.

PCB Slot 6F HSG	KH1600040-20	PA66-GF15	Black	White
	KH1600040-10		Natural	Black
Description	Part No.	Material	Finish / Color	Marking Color

TABLE 2.

PCB Slot Rec.	KH1600036-21	Copper Alloy	Pre-Tin	0.3 ~ 0.5
Description	Part No.	Material	Finish	Wire Size (mm)

TABLE 3.(E)

PCB Slot 6F T/CPA	KH1700029-70	PA66-GF15	Green
Description	Part No.	Material	Color

- NOTE 2. (PCB)-
1. Thickness : 1.60 ± 0.16
 2. Finish : Same as terminal plating
Ex) Sn HASL \leftrightarrow Sn, Au \leftrightarrow Au
 3. Recommendation : Apply a via hole for connect both sides.
 4. Concrete specifications are discussed with UJU.

TOLERANCES UNLESS OTHERWISE SPECIFIED	UNIT MM	THIRD ANGLE PROJECTION
0	\pm	
0.0	\pm	
0.00	\pm	
0.000	\pm	
0.0000	\pm	
ANGLES	\pm	
PRODUCT SPEC	APPLICATION SPEC	

DRWN JK. HWANG	(주)우주일렉트로닉스 UJU Electronics co.,Ltd.	
CHKD KH. PARK		
APVD CY. CHOI		
MATERIAL	SEE TABLE	NAME PCB Slot 6F HSG
FINISH/COLOR	SEE TABLE	CUSTOMER DRAWING KH1600040
WEIGHT		DRAWING NO. KH1600040
		LOC RESTRICTED TO
		SIZE A3
		SCALE 3:1
		SHEET 1 of 1
		REV G