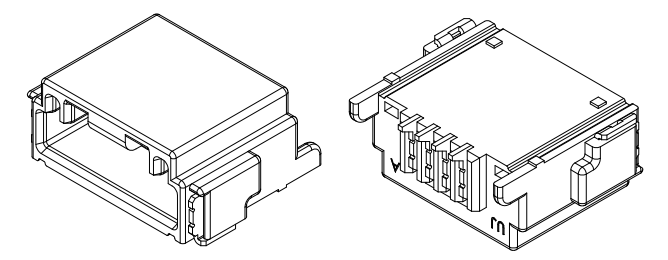
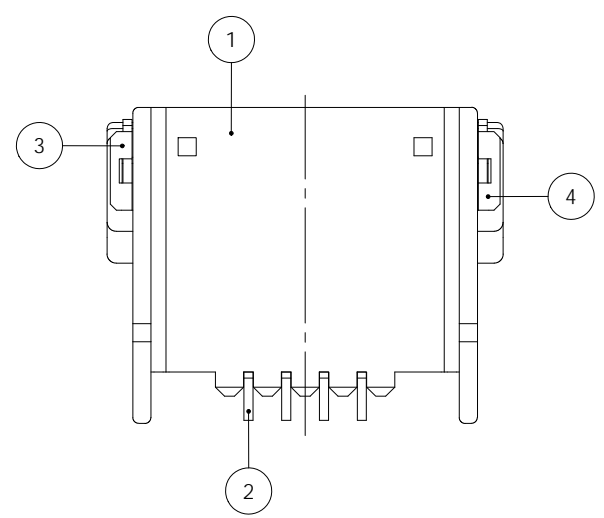
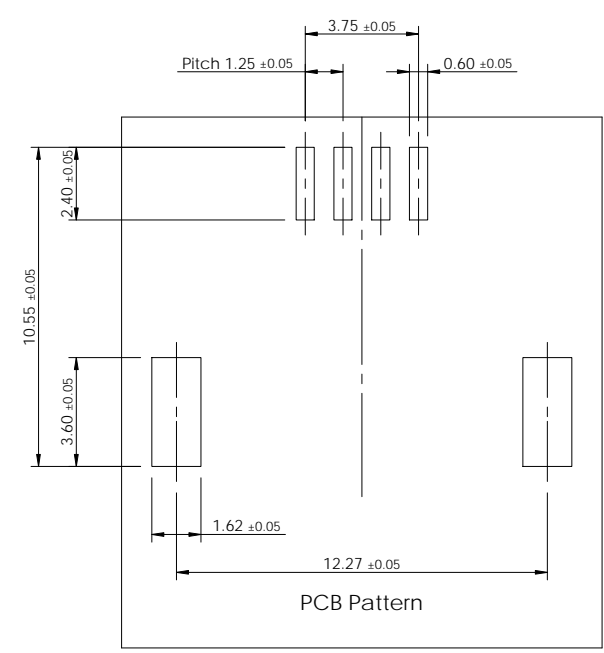
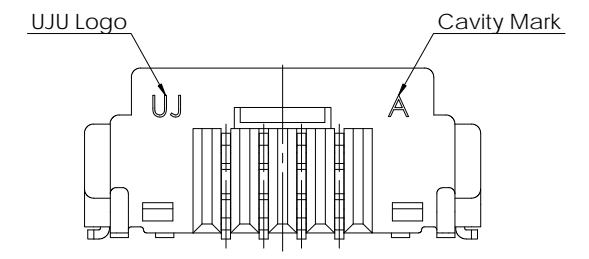
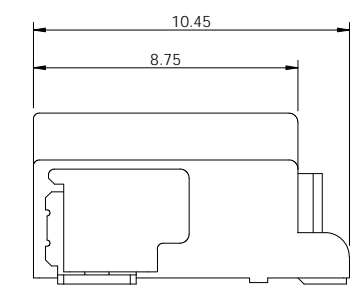
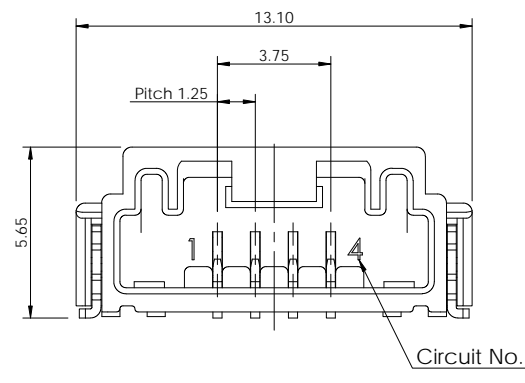
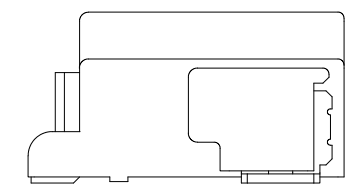
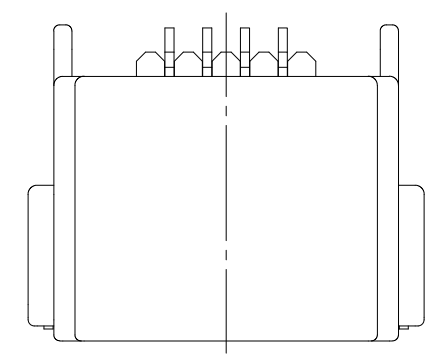


REV	REVISION RECORD	DATE	DRWN	CHKD	APVD
A	RELEASED (RD-2021-048)	14 APR '21	JK	KH	CY



3D View



-Note-

1. General tolerance : ±0.30

No.	Description	Part No.	Material	Finish / Color	Q'ty
4	FFC_SMT_H_Speg_L	KM1600027-21	Copper alloy	Post-Sn	1
3	FFC_SMT_H_Speg_R	KM1600027-20	Copper alloy	Post-Sn	1
2	FFC_SMT_H_Tab	KM1600026-20	Copper alloy	Post-Sn	1
1	FFC_SMT_4M_H_HSG_BK	KM1600029-20	PPA-GF15	Black	1

Description	Part No.
FFC_SMT_4M_H_ASSY_BK	KH1600028-20

TOLERANCES UNLESS OTHERWISE SPECIFIED		UNIT MM		DRWN JK. HWANG		(주)우주 일렉트로닉스 UJU Electronics co.,Ltd.	
0 ±		THIRD ANGLE PROJECTION		CHKD KH. PARK			
0.0 ±				APVD CY. CHOI		NAME FFC_SMT_4M_H_ASSY	
0.00 ±				MATERIAL SEE TABLE		CUSTOMER DRAWING	
0.000 ±		FINISH/COLOR SEE TABLE		DRAWING NO. KH1600028		SHEET 1 of 1	
0.0000 ±		WEIGHT		LOC		REV A	
ANGLES ±		APPLICATION SPEC		RESTRICTED TO		SCALE 4:1	
PRODUCT SPEC				SIZE A3		SHEET 1 of 1	