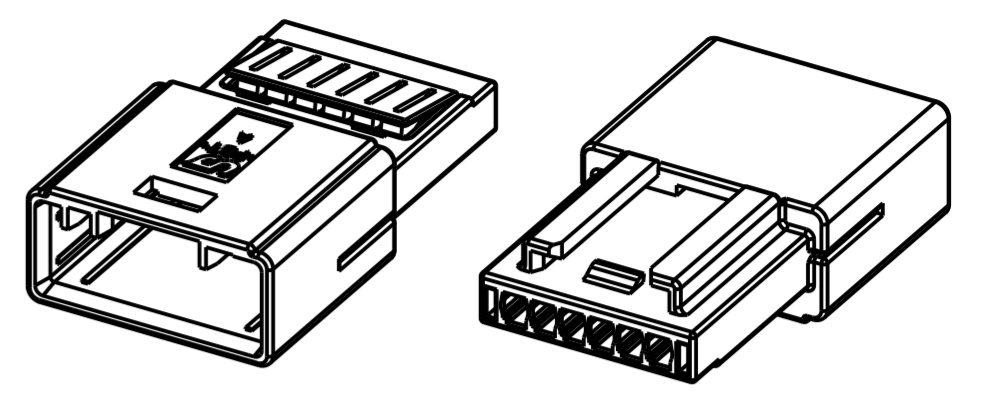
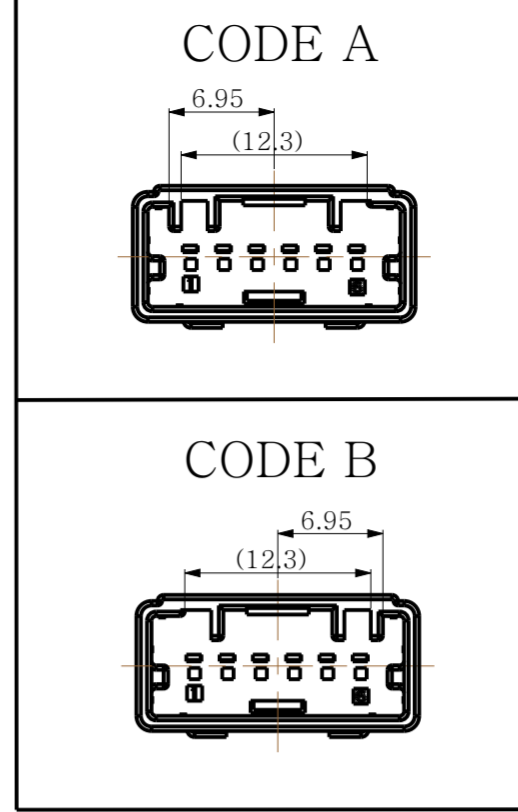
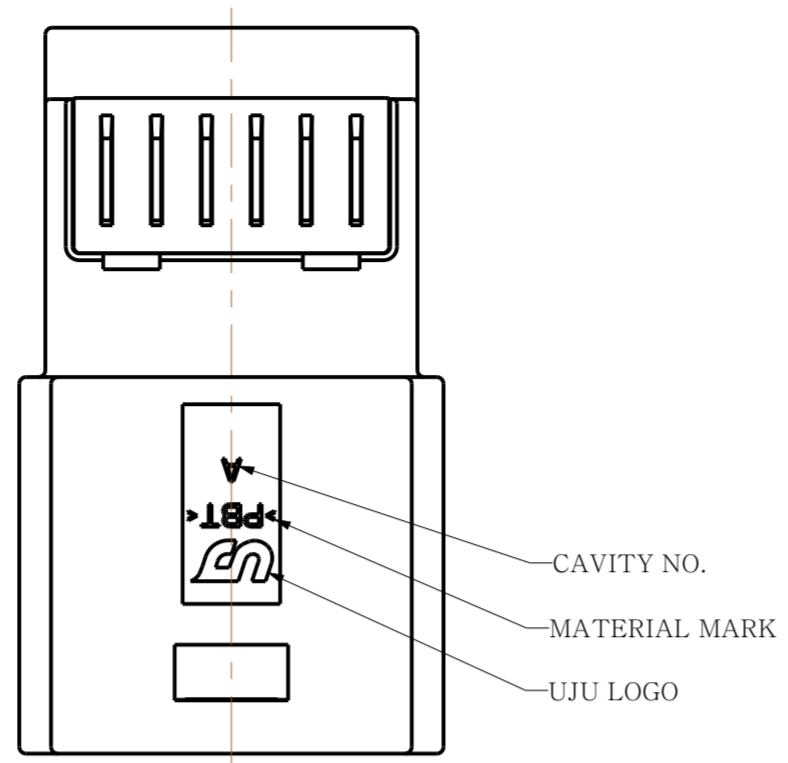


TOLERANCE								
10MAX	30MAX	50MAX	70MAX	100MAX	120MAX	250MAX	250VR	ANGLE
±0.15	±0.20	±0.30	±0.40	±0.50	±0.75	±0.9	±1.4	±0.5°

REV	REVISION RECORD	DATE	DRWN	APVD
1	ENGINEERING CONTROLLED	11.MAY'14	KH	SJ



ISO VIEW

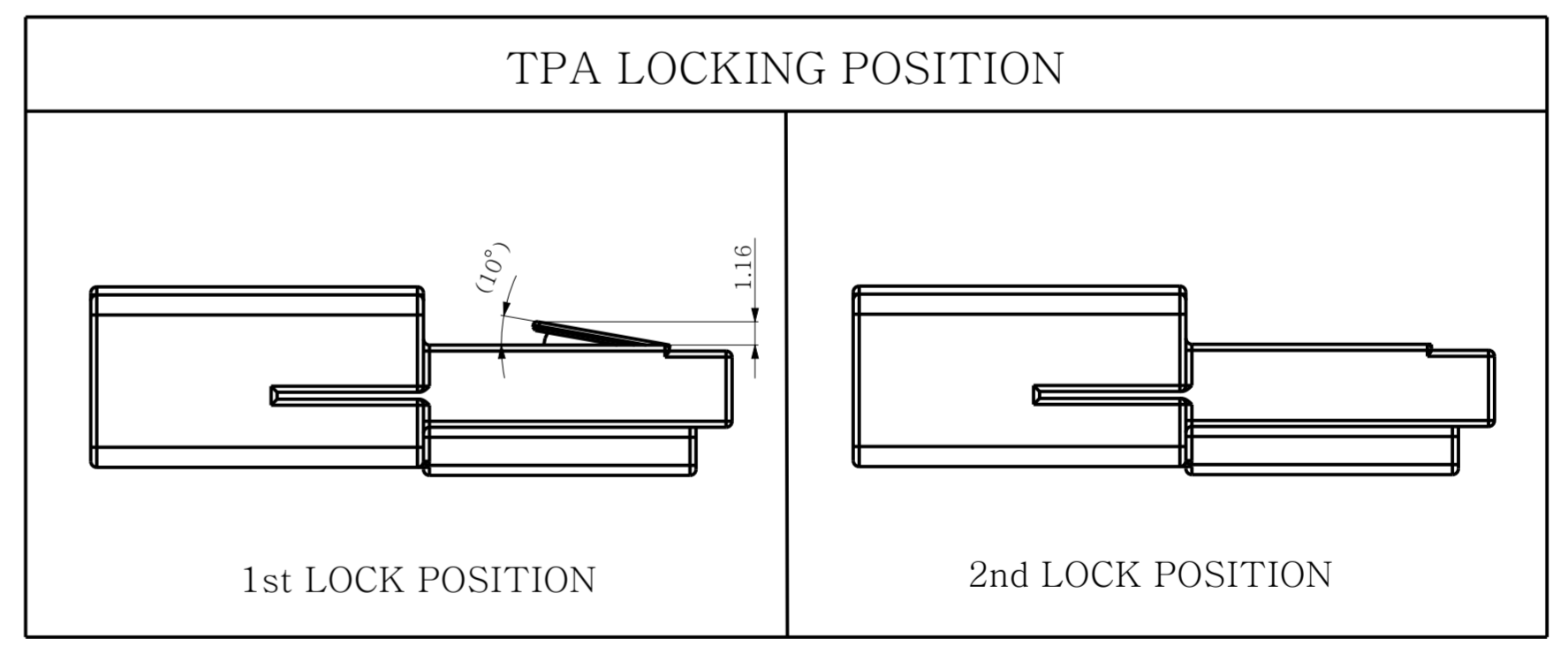
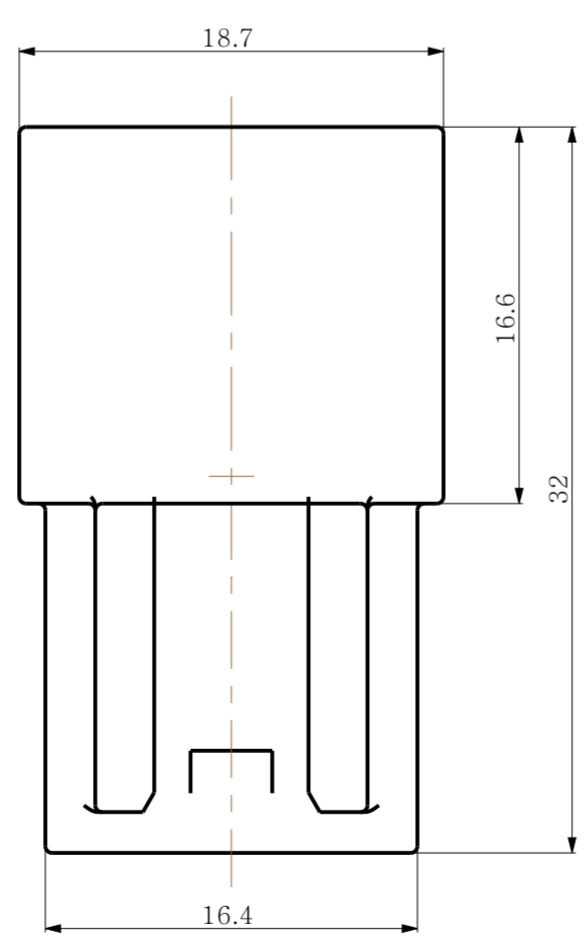
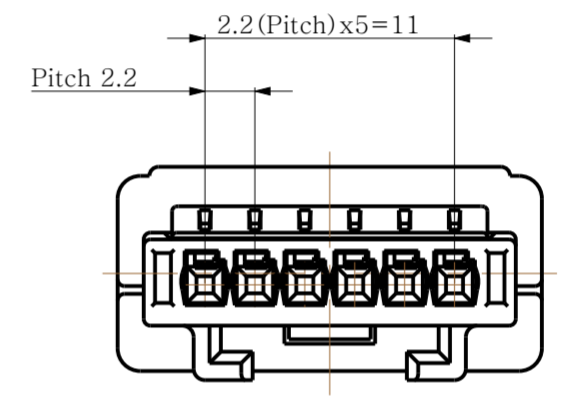
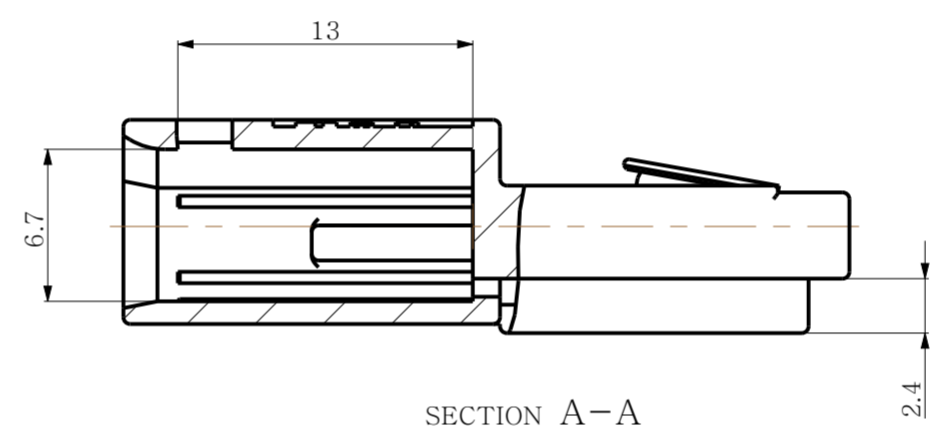
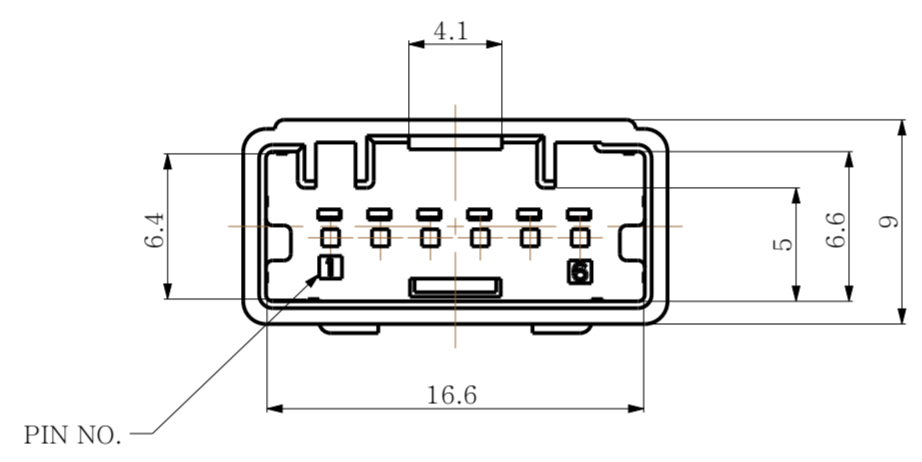
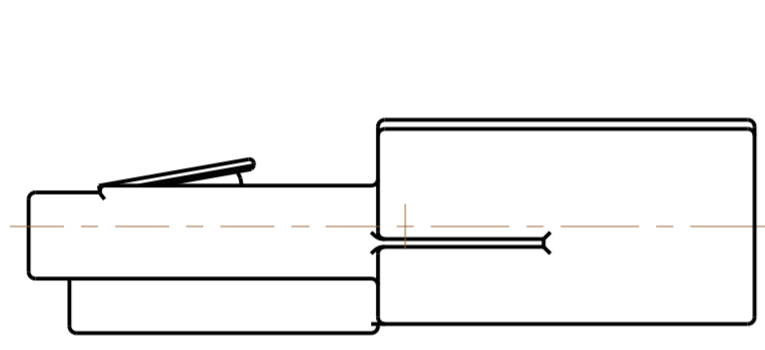


TABLE 1

DESCRIPTION	PART. NO.	CODE	MATERIAL	FINISH/COLOR
025 6M HSG	KH1500001-21	B	PBT	BLACK
	KH1500001-10	A		NATURAL

TABLE 2

DESCRIPTION	PART. NO.	WIRE RANGE	MATERIAL	FINISH
025 MALE TERMINAL	KH1200034-21	0.3 ~ 0.5 SQ	Cu Alloy	Pre-TIN
	KH1200034-20	0.22 SQ	Cu Alloy	Pre-TIN

NOTE

- HSG DESCRIPTION : SEE TABLE-1
- APPLICABLE RECEPTACLE : SEE TABLE-2

TOLERANCES UNLESS OTHERWISE SPECIFIED	UNIT MM	DRWN	KH.PARK				
		CHKD	YD.LEE				
0 ± 0.0 ± 0.000 ± 0.0000 ± ANGLES ±	THIRD ANGLE PROJECTION	APVD	SJ.SONG				
		MATERIAL	SEE TABLE 1				
PRODUCT SPEC	APPLICATION SPEC	FINISH/COLOR	SEE TABLE 1				
		WEIGHT	2.4g				
		(주)우주 일렉트로닉스 UJU Electronics co.,Ltd.		NAME		025 6M HSG(WTW)	
		DRAWING NO		CUSTOMER		DRAWING NO	
		KH1500001				KH1500001	
		LOC		RESTRICTED TO		REV	
		A2		3:1		1 of 1	