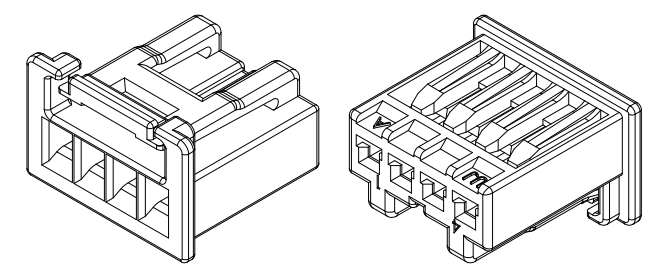
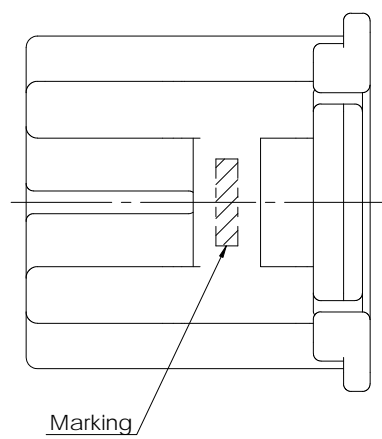


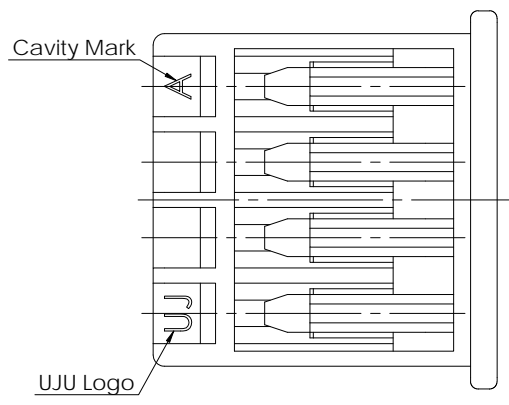
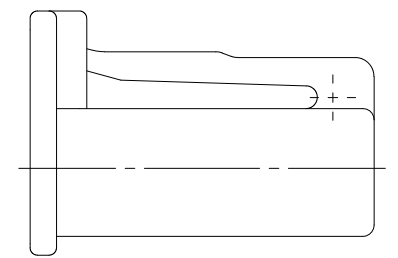
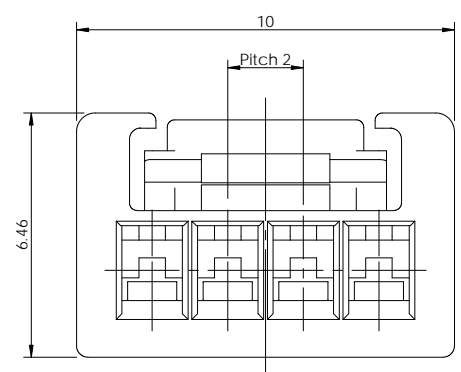
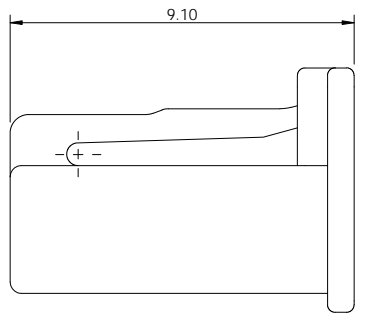
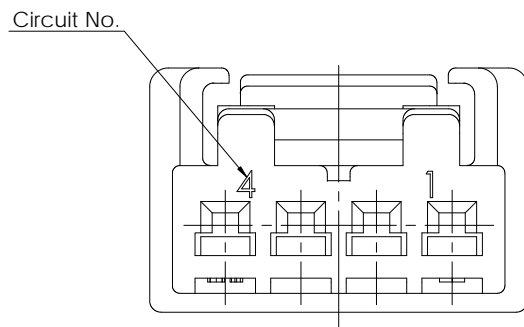
REV	REVISION RECORD	DATE	DRWN	CHKD	APVD
A	RELEASED	09 NOV '15	JK	YD	SJ
B	REVISED	03 DEC '18	JK	SH	MJ



3D View



Marking



-Note-

1. General Tolerance :  $\pm 0.3$
2. HSG Description : See Table-1
3. Applicable Receptacle : See Table-2

<Table-1>

Description	Part No.	Material	Finish / Color	Marking Color
020 S 4F HSG	KH1400049-70	PA66-GF15	(B) Green	Black
	KH1400049-20		Black	White
	KH1400049-10		Natural	Black

<Table-2>

Description	Part No.	Material	Wire Size (mm)
020 S Female Terminal	KH1400004-21	Copper Alloy	0.30

TOLERANCES UNLESS OTHERWISE SPECIFIED	UNIT MM
0 ±	THIRD ANGLE PROJECTION
0.0 ±	
0.00 ±	
0.000 ±	
0.0000 ±	
ANGLES ±	
PRODUCT SPEC	APPLICATION SPEC

DRWN JK. HWANG	(주)우주 일렉트로닉스 UJU Electronics co.,Ltd.				
CHKD SH. LEE					
APVD MJ. BANG	NAME 020 S 4F HSG				
MATERIAL SEE TABLE	CUSTOMER DRAWING				
FINISH/COLOR SEE TABLE	DRAWING NO KH1400049				
WEIGHT	LOC RESTRICTED TO	SIZE A3	SCALE 5:1	SHEET 1 of 1	REV B