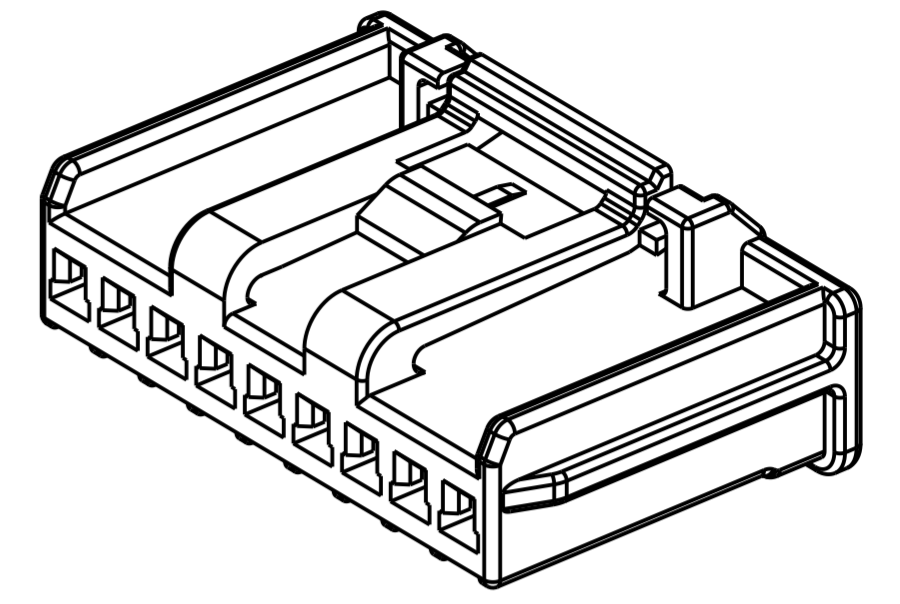
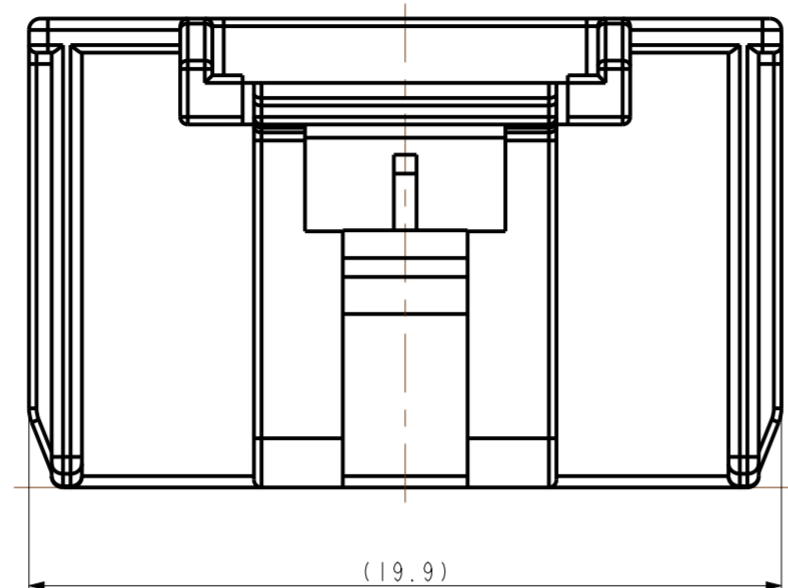
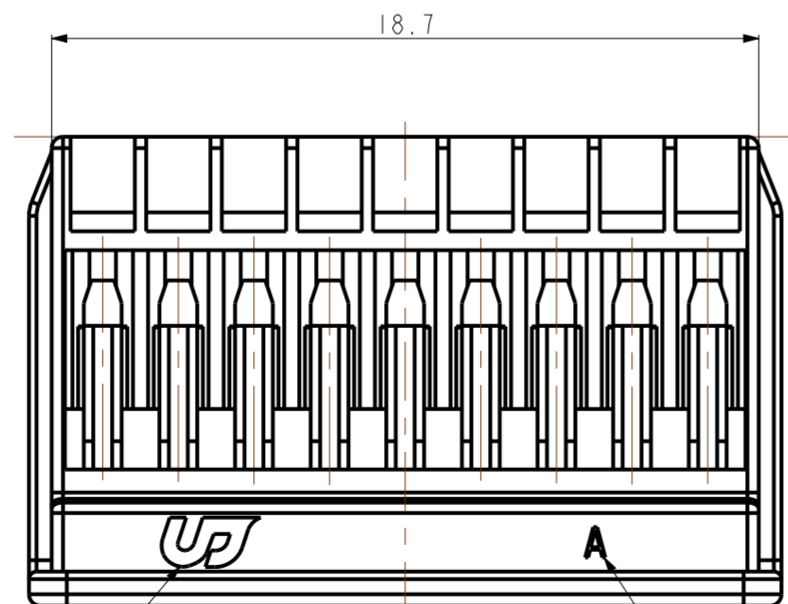
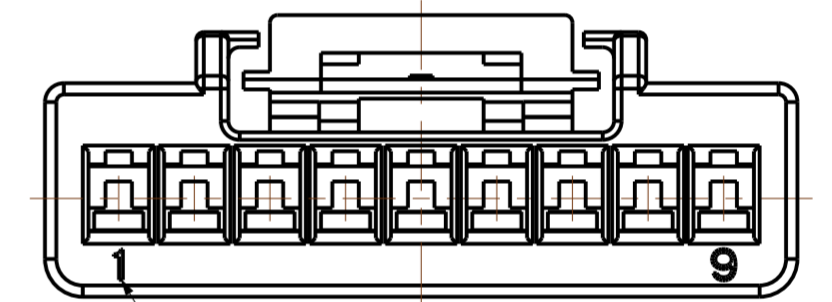
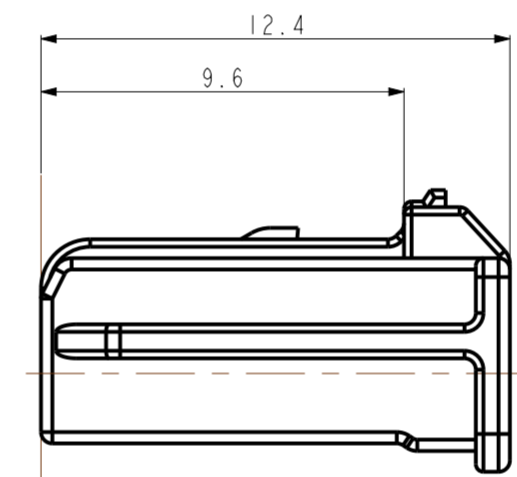
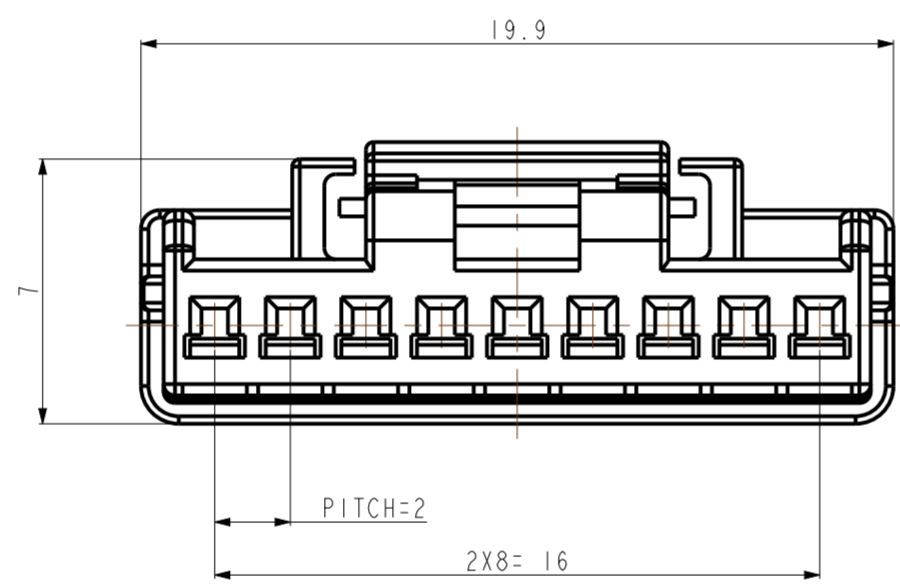
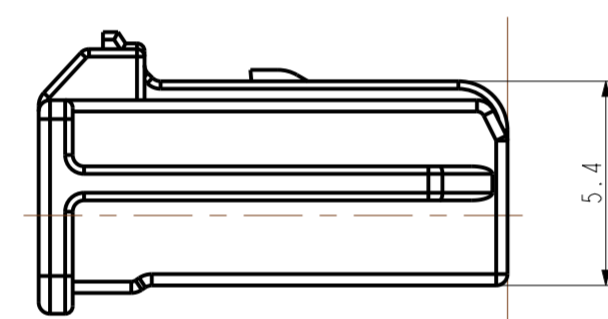


REV	REVISION RECORD	DATE	DRWN	CHKD	APVD
A	RELEASED	19.FEB'16	CH	-	SJ
B	REVISED(RD-2017-023)	14.APR'17	KH	-	SJ
C	REVISED(RD-2020-116)	04.SEP'20	DR	KH	CY



ISO VIEW



UJU LOGO.

CAVITY MARK

- NOTE
 1.GENERAL TOLERANCE : ±0.3, ±3.0
 2.HSG DESCRIPTION : SEE TABLE-1
 3.APPLICABLE RECEPTACLE : SEE TABLE-2

DESCRIPTION	PART NO.	Pos.	MATERIAL	FINISH/COLOR
020 9F HSG	Ⓒ KH1400003-60	9	PBT-GF10	RED
	KH1400003-20	9	PBT-GF10	BLACK
	KH1400003-10	9	PBT-GF10	NATURAL

DESCRIPTION	PART NO.	MATERIAL	WIRE SIZE (mm2)
020 REC(L)	KH1200030-22	COPPER ALLOY	0.5
020 REC(M)	KH1200030-21	COPPER ALLOY	0.3~0.35

TOLERANCES UNLESS OTHERWISE SPECIFIED

0	±
0.0	±
0.00	±
0.000	±
0.0000	±
ANGLES	±

UNIT MM
THIRD ANGLE PROJECTION

APPLICATION SPEC

DRWN	DR KOO	(주)우주 일렉트로닉스 UJU Electronics co.,Ltd.	NAME		020 9F HSG	
CHKD	KH PARK		MATERIAL		SEE TABLE-1	
APVD	CY CHOI		FINISH/COLOR		SEE TABLE-2	
CUSTOMER DRAWING		LOC	RESTRICTED TO	SIZE	SCALE	SHEET
				A2	5:1	1 OF 1
DRAWING NO		DRAWING NO		REV		
KH1400003		KH1400003		C		