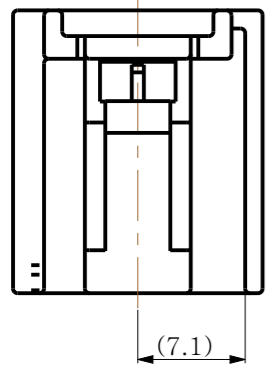


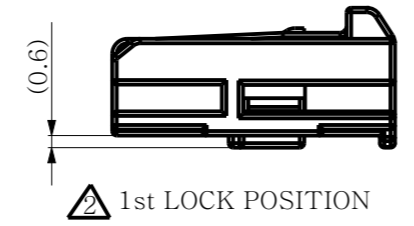
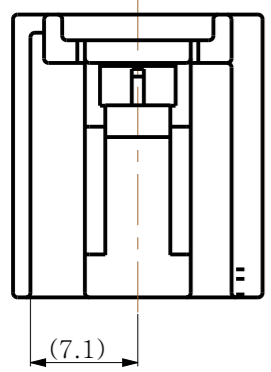
# TPA LOCKING POSITION

REV	REVISION RECORD	DATE	DRWN	APVD
C	RELEASED (RD-2016-041)	28.APR'17	KH	SJ
D	RELEASED (RD-2019-022)	11.FEB'19	TH	CY

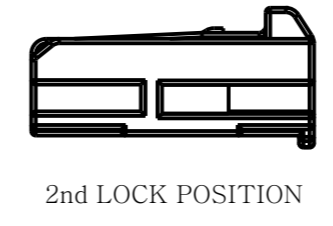
CODE A



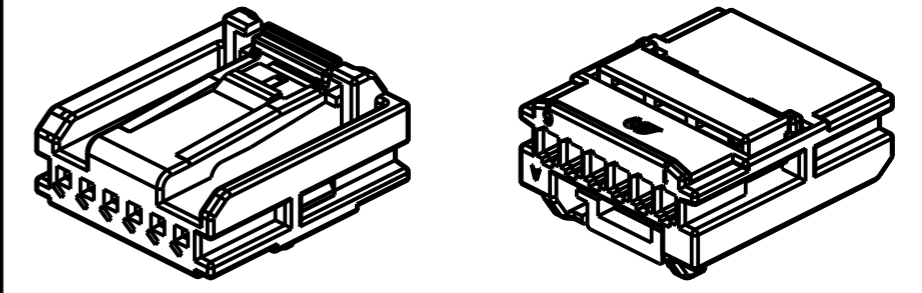
CODE B



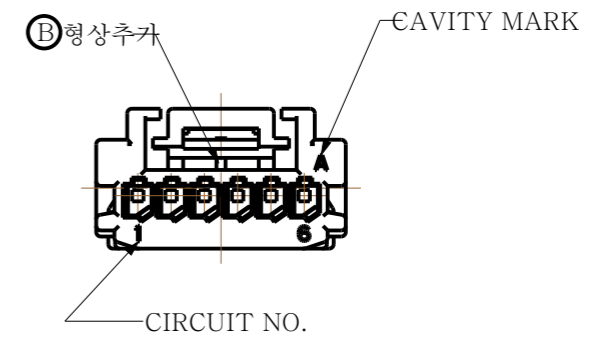
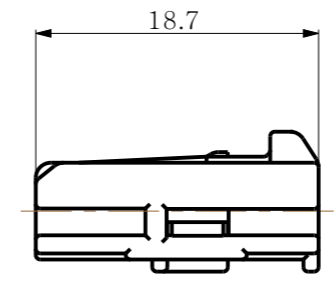
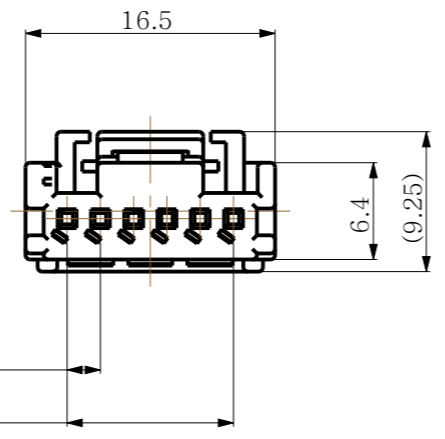
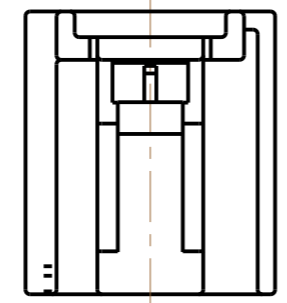
1st LOCK POSITION



2nd LOCK POSITION



ISO VIEW



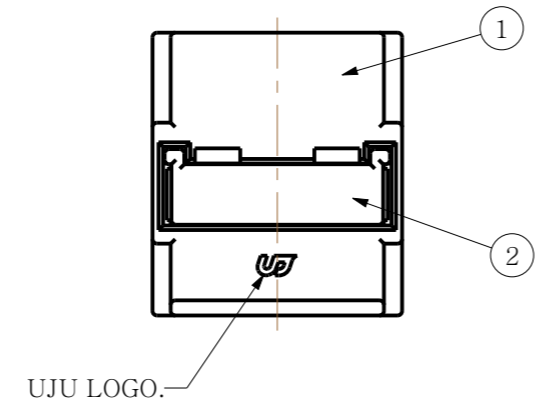
NOTE  
 1. GENERAL TOLERANCE :  $\pm 0.3, \pm 3^\circ$   
 2. DELIVERY CONDITION : TPA FIRST LOCK POSITION  
 3. APPLICABLE RECEPTACLE TERMINAL : TABLE-2

TABLE-1

NO.	DESCRIPTION	CODE	MATERIAL	FINISH/COLOR	Q'TY	Q'TY
2	025 6F TPA HSG	-	PBT	GREEN	1	1
1	025 6F HSG	B	PBT	BLACK	1	-
		A		NATURAL	-	1

TABLE-2

CONTACT	025 FEMALE TERMINAL	
PART NO.	KH1200031-20	KH1200031-21
WIRE SIZE(mm2)	0.22	0.3~0.5



UJU LOGO.

TOLERANCES UNLESS OTHERWISE SPECIFIED	UNIT MM
0 ±	THIRD ANGLE PROJECTION
0.0 ±	
0.00 ±	
0.000 ±	
0.0000 ±	
ANGLES ±	
PRODUCT SPEC	APPLICATION SPEC

DRWN: TH.LEE	(주)우주 일렉트로닉스 UJU Electronics co.,Ltd.					
CHKD: SH.LEE						
APVD: CY.CHOI						
MATERIAL: SEE TABLE-1	NAME: 025 6F HSG ASS'Y					
FINISH/COLOR: SEE TABLE-1	CUSTOMER: DRAWING		DRAWING NO: KH1300035			
WEIGHT:	LOC:	RESTRICTED TO:	SIZE: A3	SCALE: 2:1	SHEET: 1	REV: D