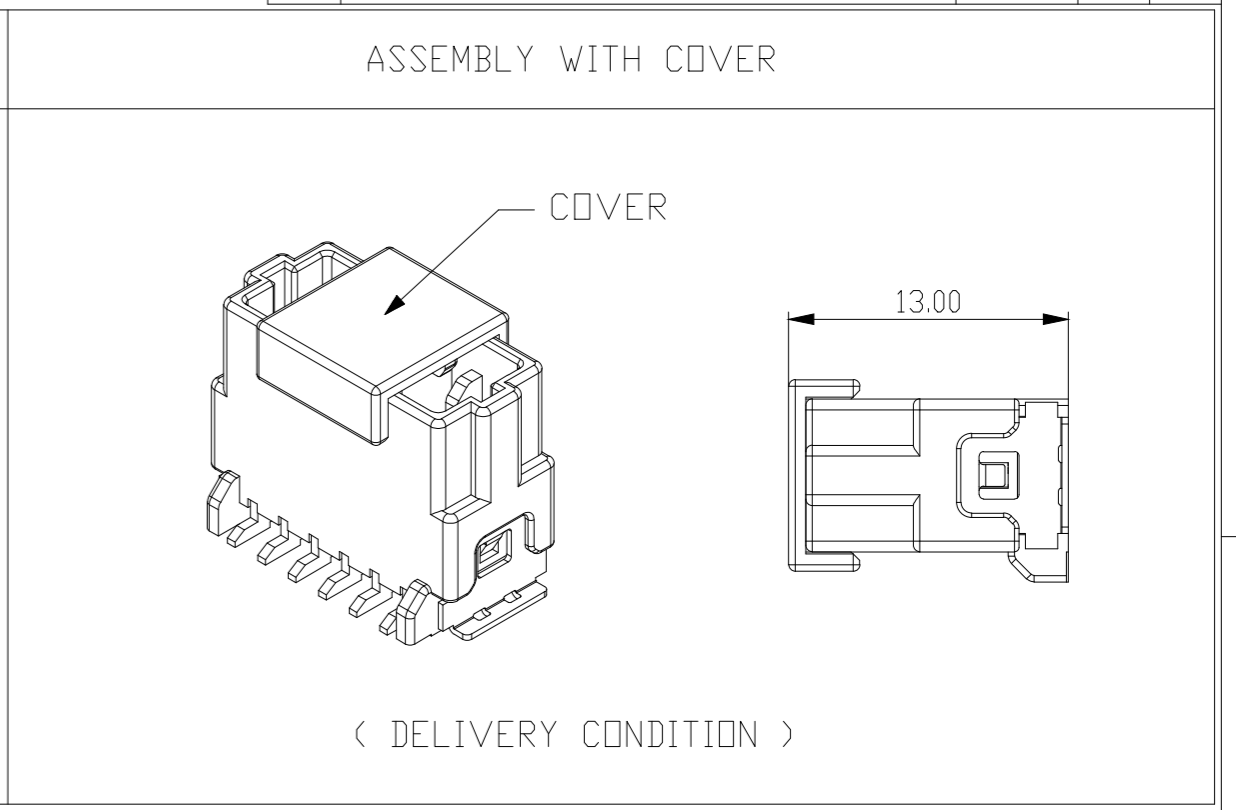
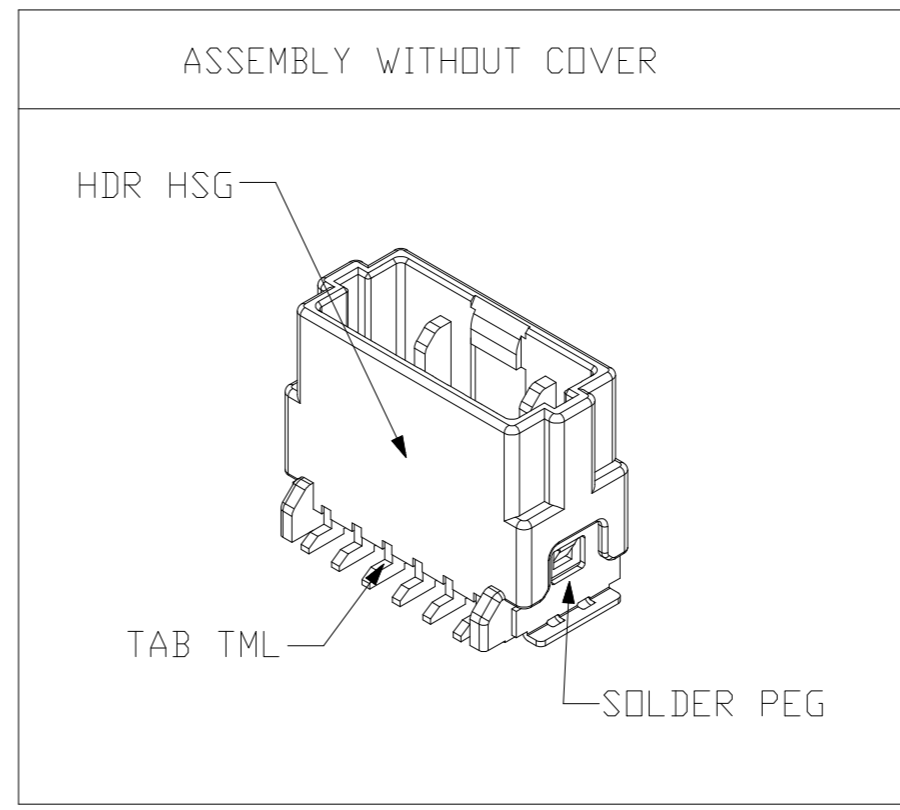
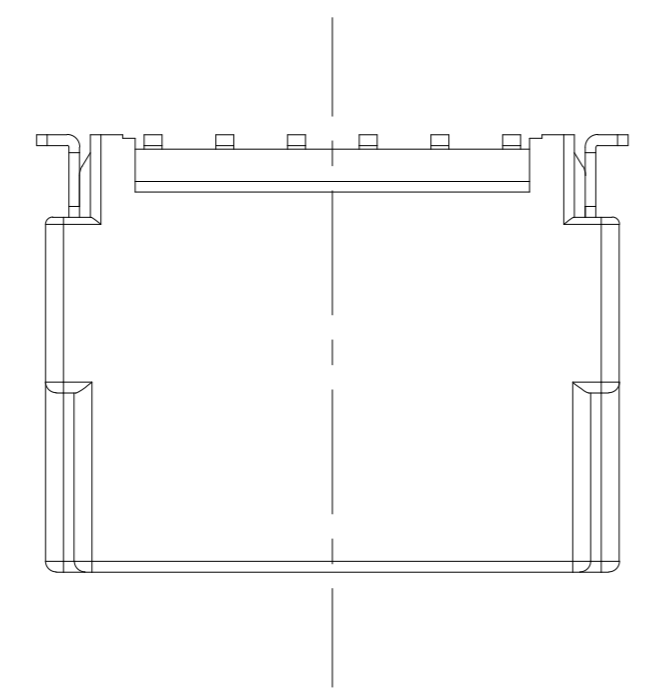
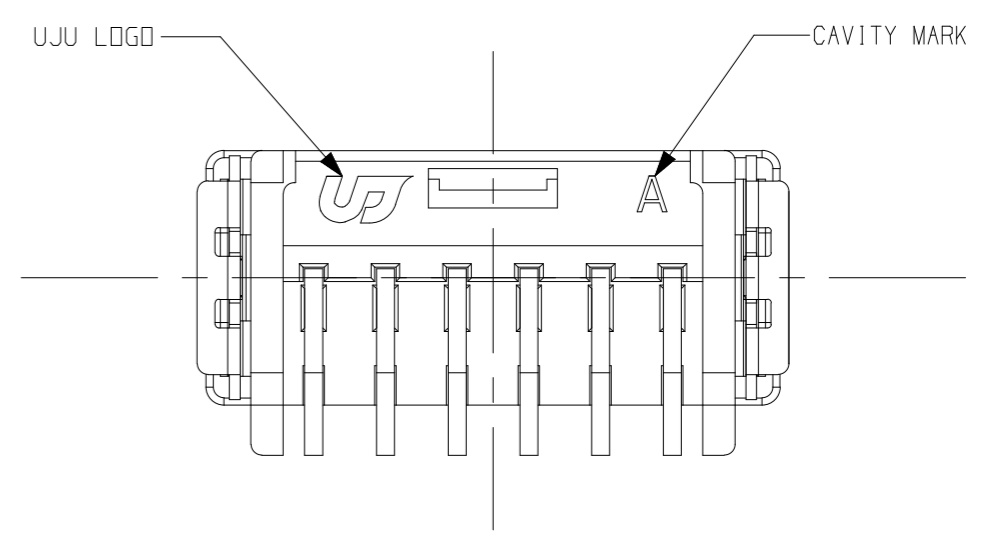
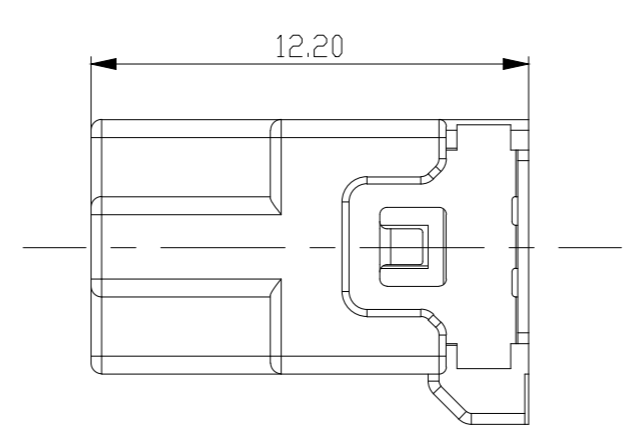
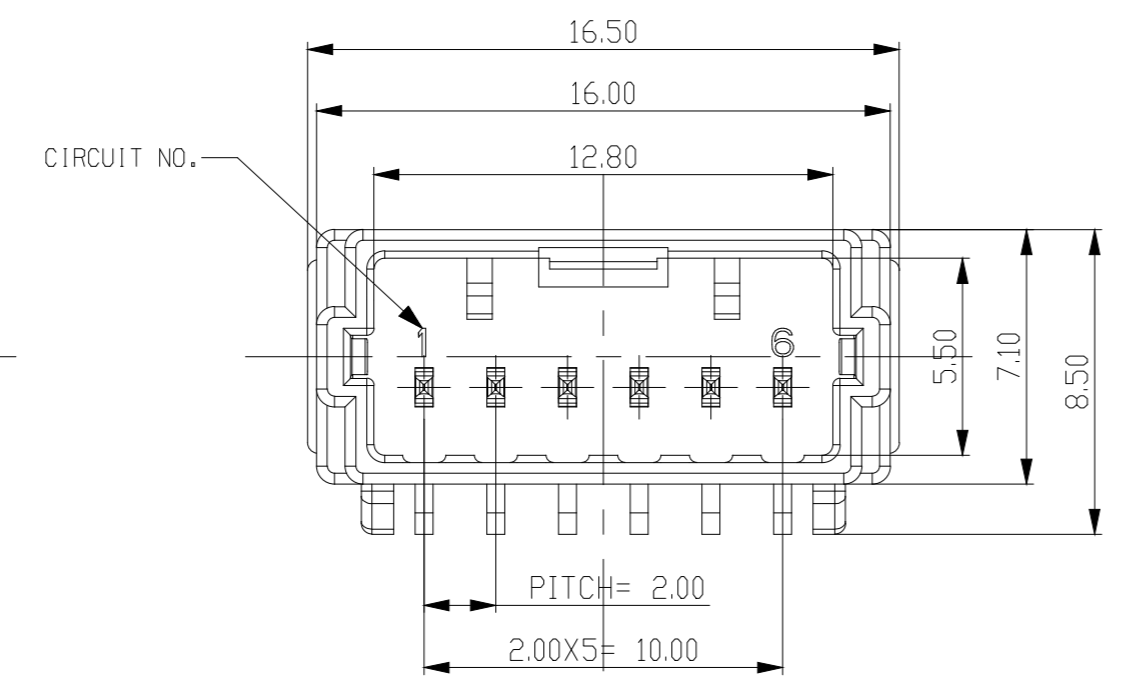


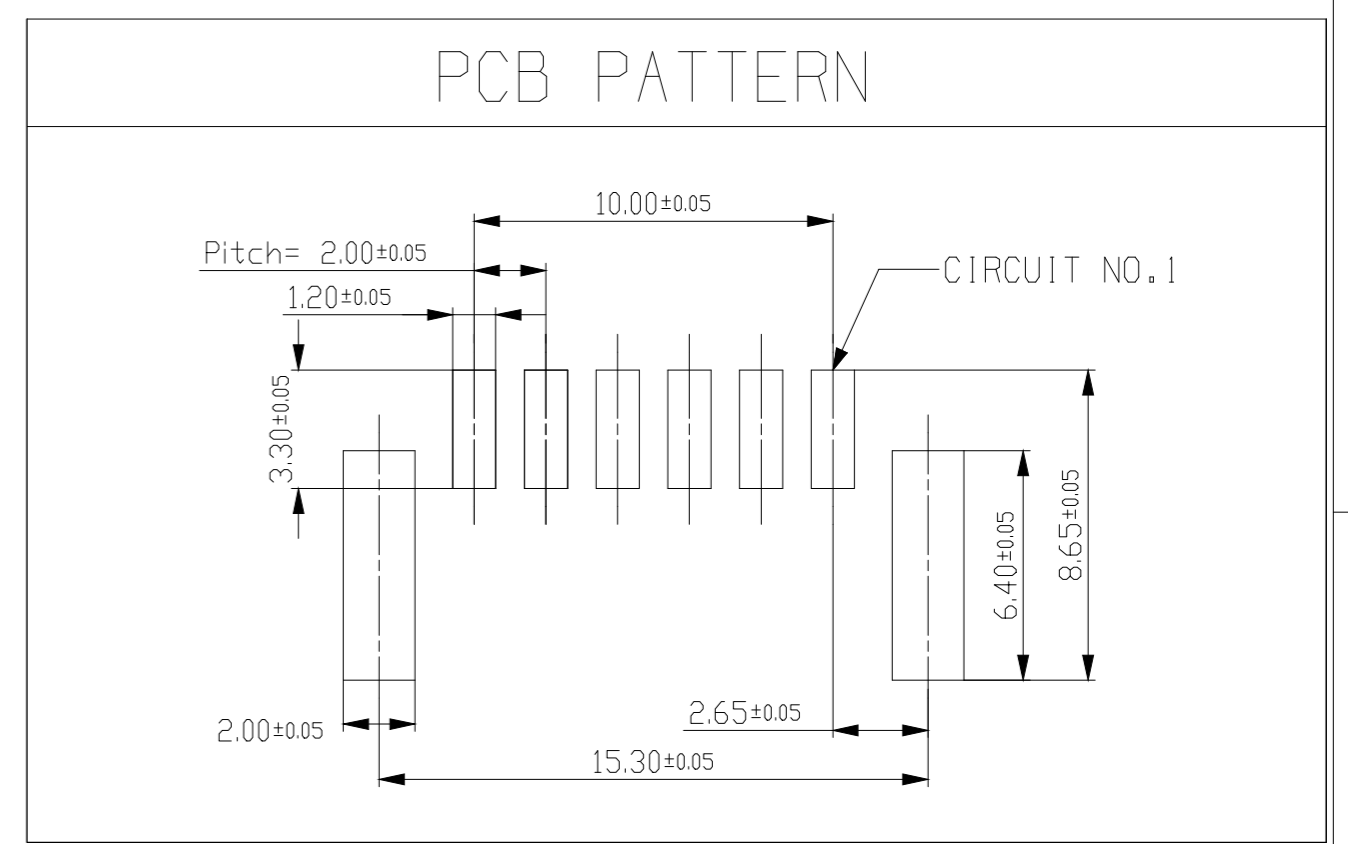
REV	REVISION RECORD	DATE	DRWN	APVD
A	RELEASED	23JUL'13	GR	SJ



4



3



2

- NOTE
- GENERAL TOLERANCE : ± 0.3 , $\pm 3.0^\circ$
 - HSG DESCRIPTION : SEE (TABLE-1)
 - MATERIAL
 - HDR HSG : LCP
 - SOLDER PEG : COPPER ALLOY (POST-TIN)
 - TAB TML : COPPER ALLOY (POST-TIN)
 - COVER : PA66 (BLACK)

TABLE-1

DESCRIPTION	P/N	Pos	MATERIAL/COLOR
020 6M SMT HDR ASSY(VTC)	KH1300006-20	6	LCP/BLACK
	KH1300006-10	6	LCP/NATURAL

TOLERANCES UNLESS OTHERWISE SPECIFIED	UNIT MM
0 0.0 0.00 0.000 0.0000 ANGLES	THIRD ANGLE PROJECTION
PRODUCT SPEC	APPLICATION SPEC

DRWN GR.CHOI	NAME
CHKD YD.LEE	020 6M SMT HDR ASSY(VTC)
APVD S.J.SONG	CUSTOMER
MATERIAL SEE TABLE-1	DRAWING NO KH1300006
FINISH/COLOR SEE TABLE-1	SIZE A2
WEIGHT	SCALE 5/1
	SHEET 1 of 2
	REV A

(주)우주 일렉트로닉스 UJU Electronics co.,Ltd.	
LDC	RESTRICTED ID

1

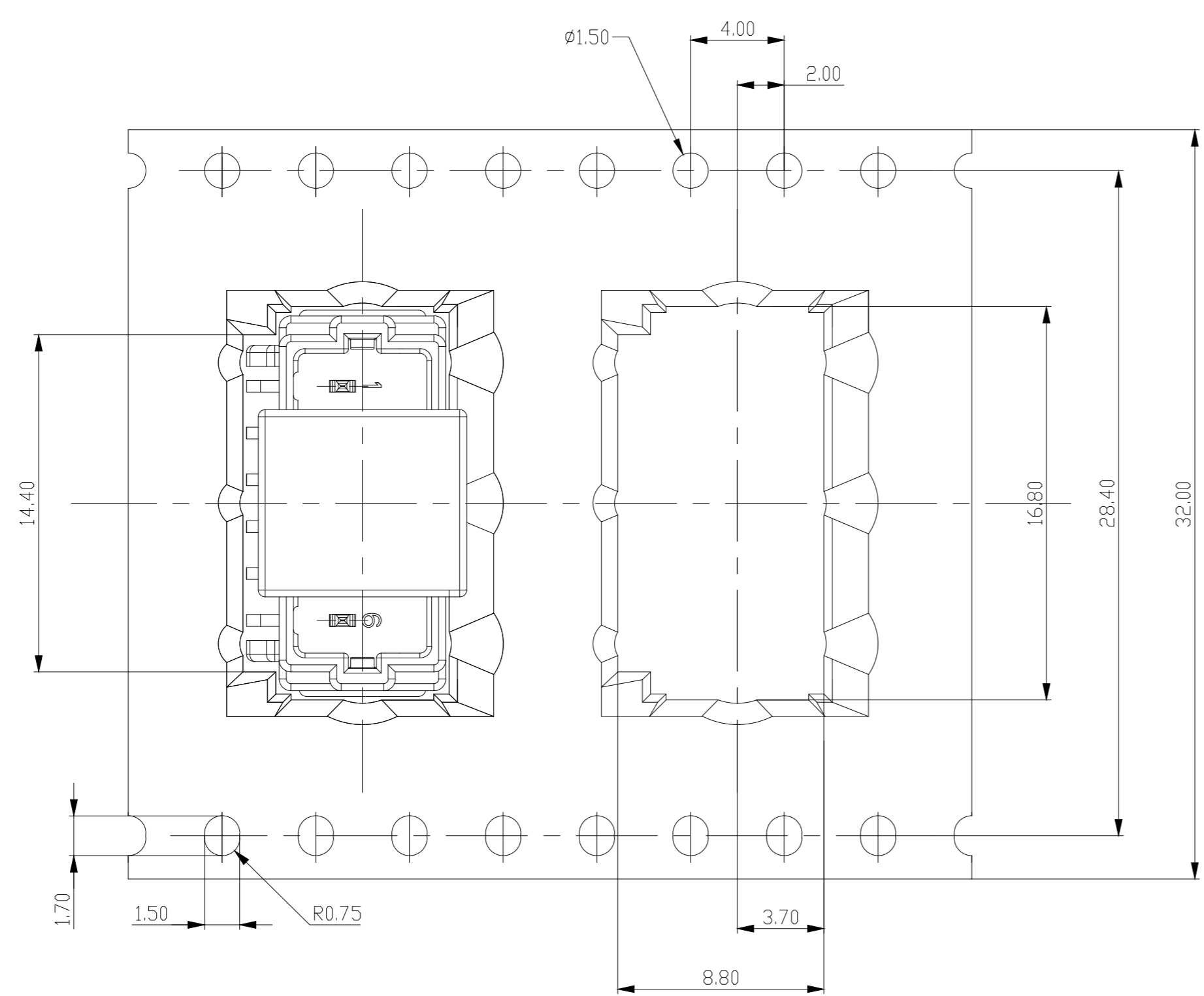
D

C

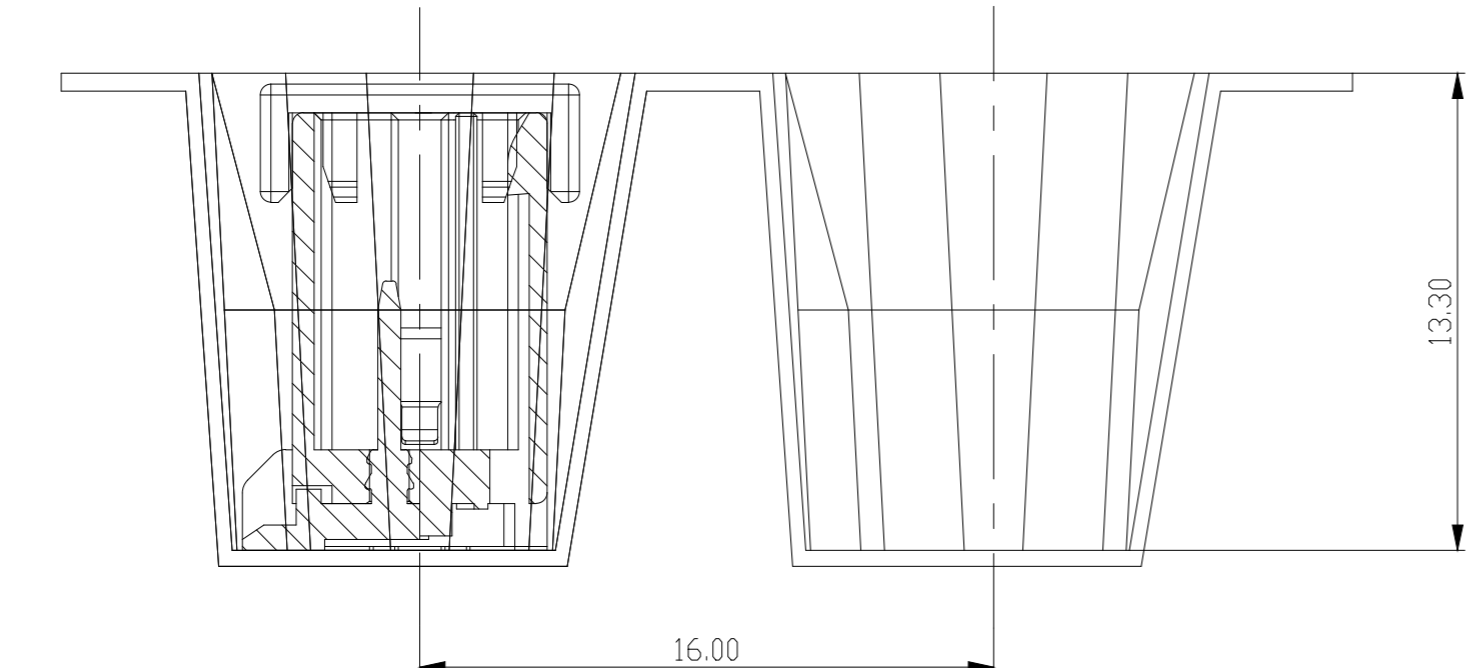
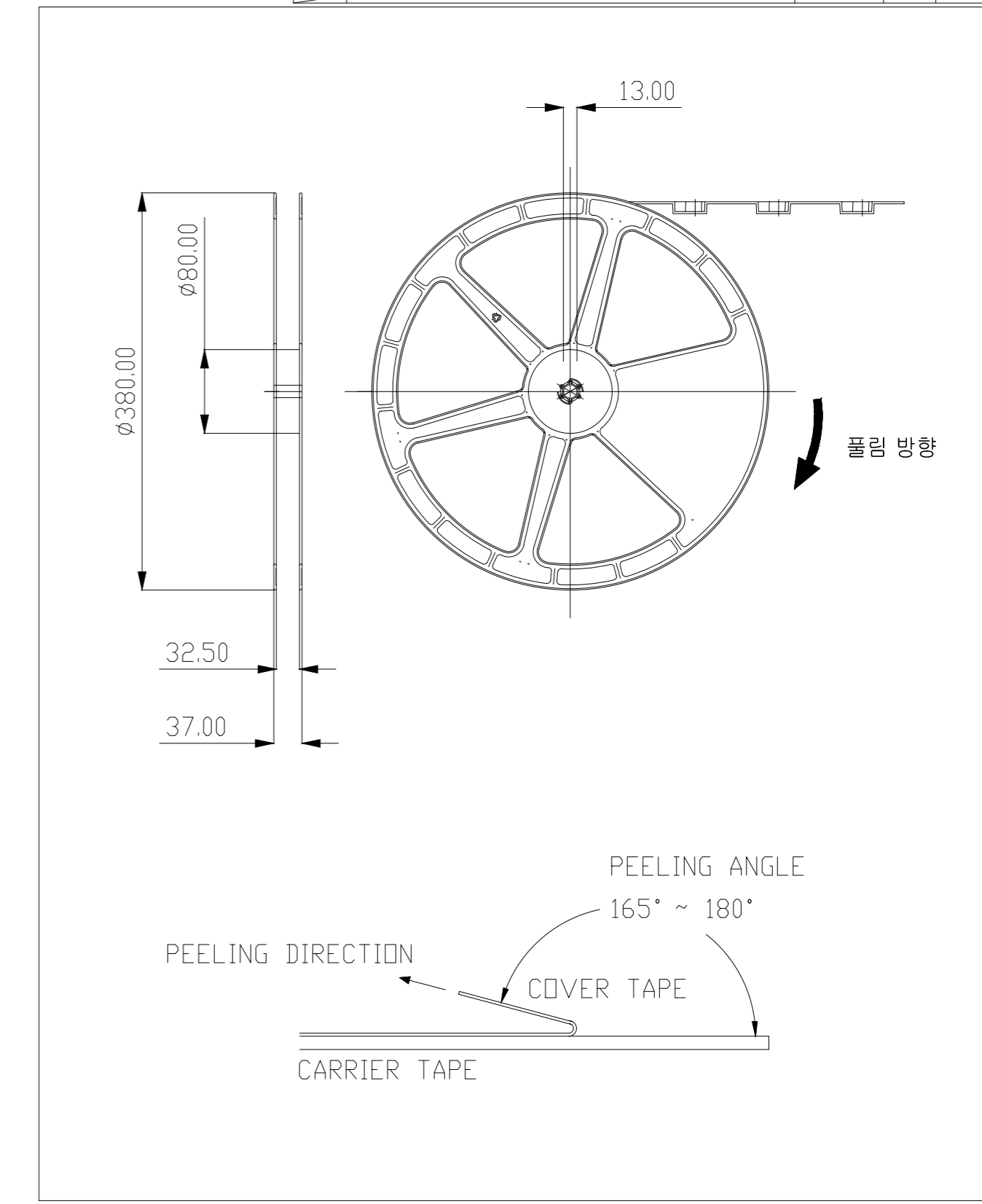
B

A

REV	REVISION RECORD	DATE	DRWN	APVD



▶



- NOTE**
- GENERAL TOLERANCE : ±0.3, ±3.0°
 - PACKAGING QTY/REEL : 440

TOLERANCES UNLESS OTHERWISE SPECIFIED		UNIT MM		DRWN		(주)우주 일렉트로닉스 UJU Electronics co.,Ltd.		
0	±	THIRD ANGLE PROJECTION		CHKD	NAME			
0.0	±			APVD	020 6M SMT HDR ASSY(VTC)			
0.000	±			MATERIAL		CUSTOMER		
0.0000	±	APPLICATION SPEC		FINISH/COLOR	DRAWING NO	KH1300006		
ANGLES	±	WEIGHT		RESTRICTED TO	SIZE			
PRODUCT SPEC	±			LDC	SCALE	SHEET	REV	
				A2		5/1	2 of 2	A

D

C

B

A

4

3

2

1