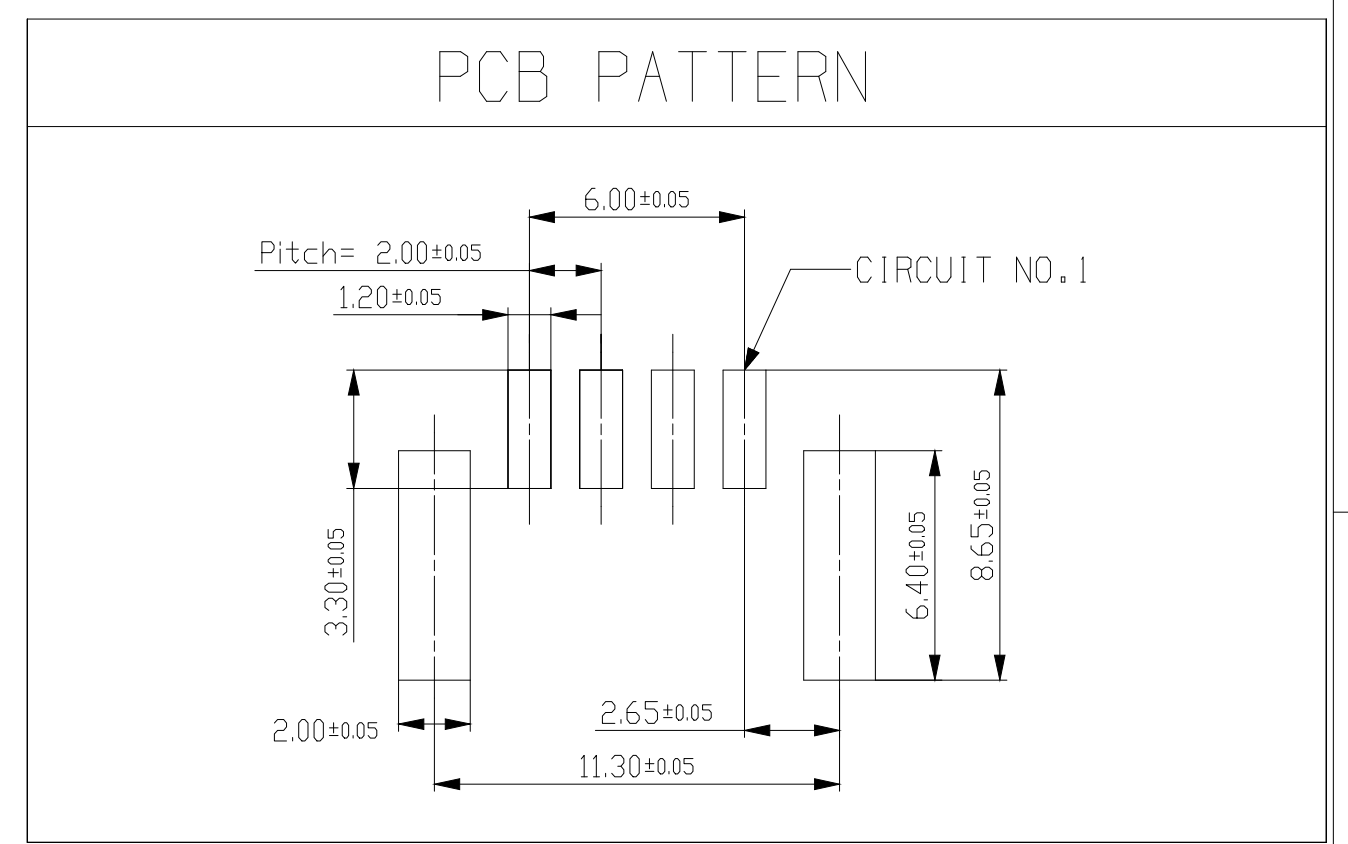
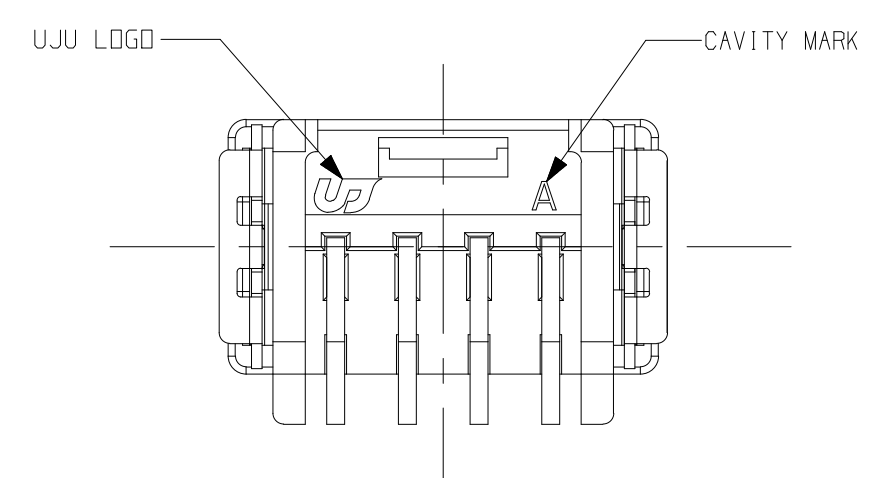
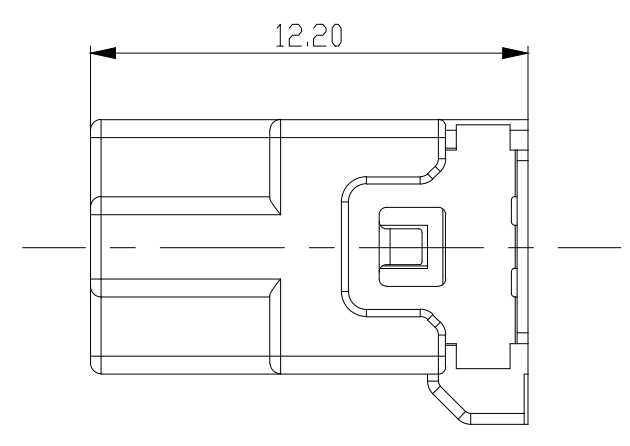
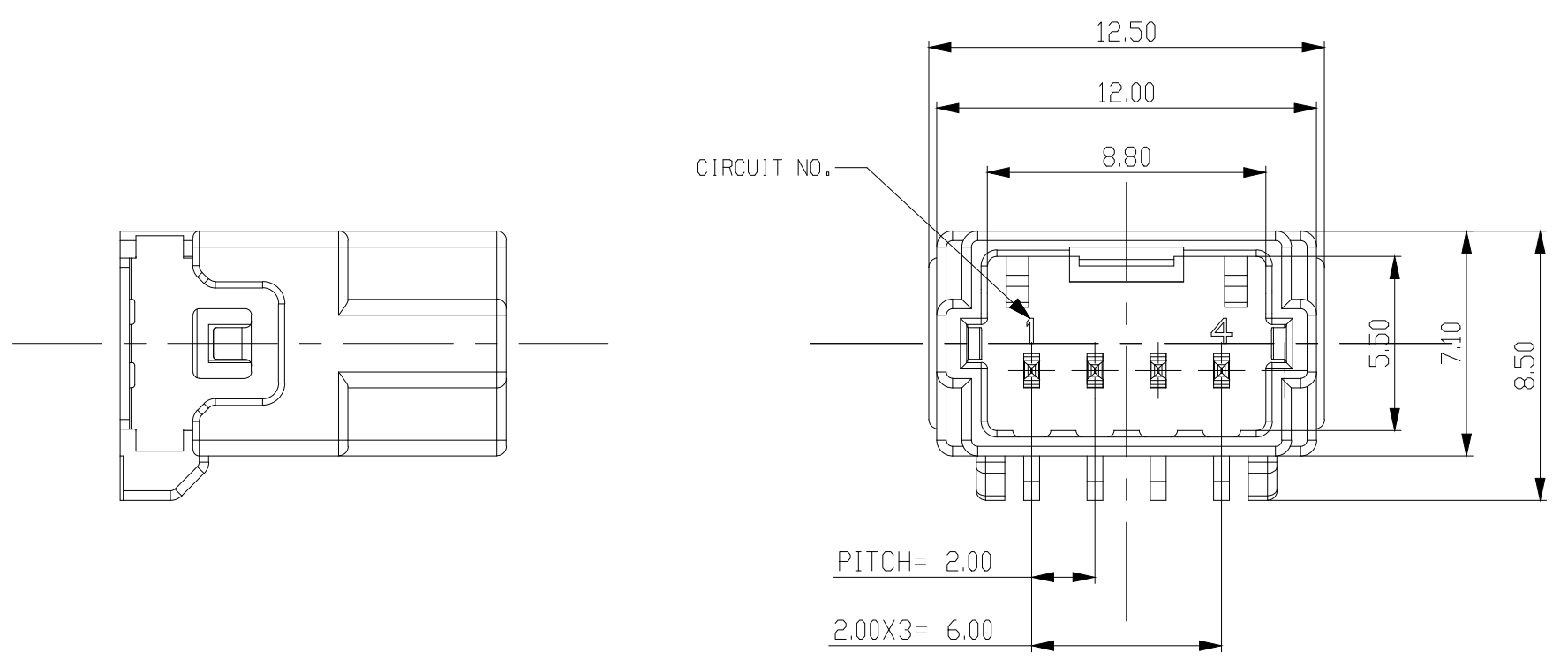
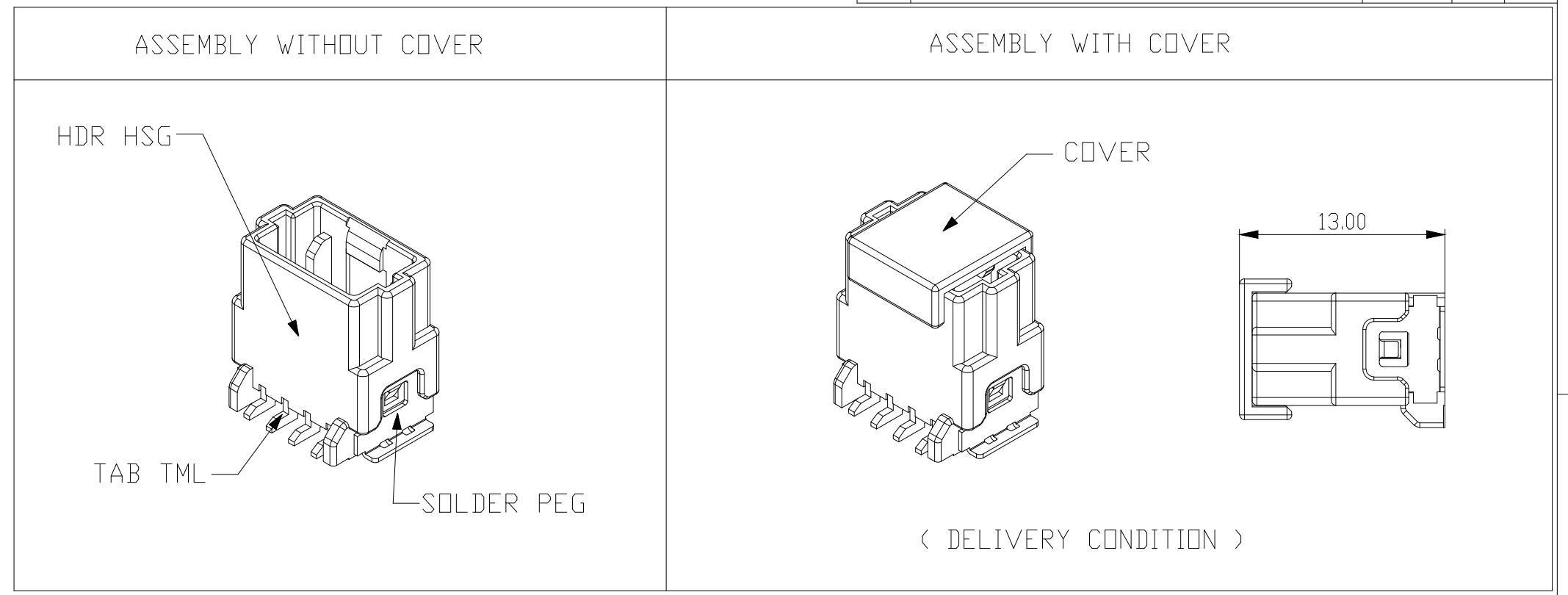


REV	REVISION RECORD	DATE	DRWN	APVD
A	RELEASED	23JUL'13	GR	SJ
A1	REVISED (RD-2014-010)	15SEP'14	GR	SJ



NOTE
 1. GENERAL TOLERANCE : ±0.3, ±3.0°
 2. HSG DESCRIPTION : SEE (TABLE-1)
 3. MATERIAL
 - HDR HSG : LCP
 - SOLDER PEG : COPPER ALLOY (POST-TIN)
 - TAB TML : COPPER ALLOY (POST-TIN)
 (A1) - COVER : LCP (BLACK)

TABLE-1

DESCRIPTION	P/N	Pos	MATERIAL/COLOR
020 4M SMT HDR ASSY(VTC)	KH1300004-20	4	LCP/BLACK
	KH1300004-10	4	LCP/NATURAL

TOLERANCES UNLESS OTHERWISE SPECIFIED	UNIT MM
0 ±	THIRD ANGLE PROJECTION
0.0 ±	
0.00 ±	
0.000 ±	
0.0000 ±	
ANGLES ±	
PRODUCT SPEC	APPLICATION SPEC

DRWN GR.CHOI	CHKD YD.LEE	APVD S.J.SONG	NAME 020 4M SMT HDR ASSY(VTC)	
MATERIAL SEE TABLE-1			CUSTOMER	DRAWING NO KH1300004
FINISH/COLOR SEE TABLE-1			DRAWING	SHEET 1 of 2
LDC	RESTRICTED TO	SIZE A2	SCALE 5/1	REV A1

D

C

B

A

4

3

2

1