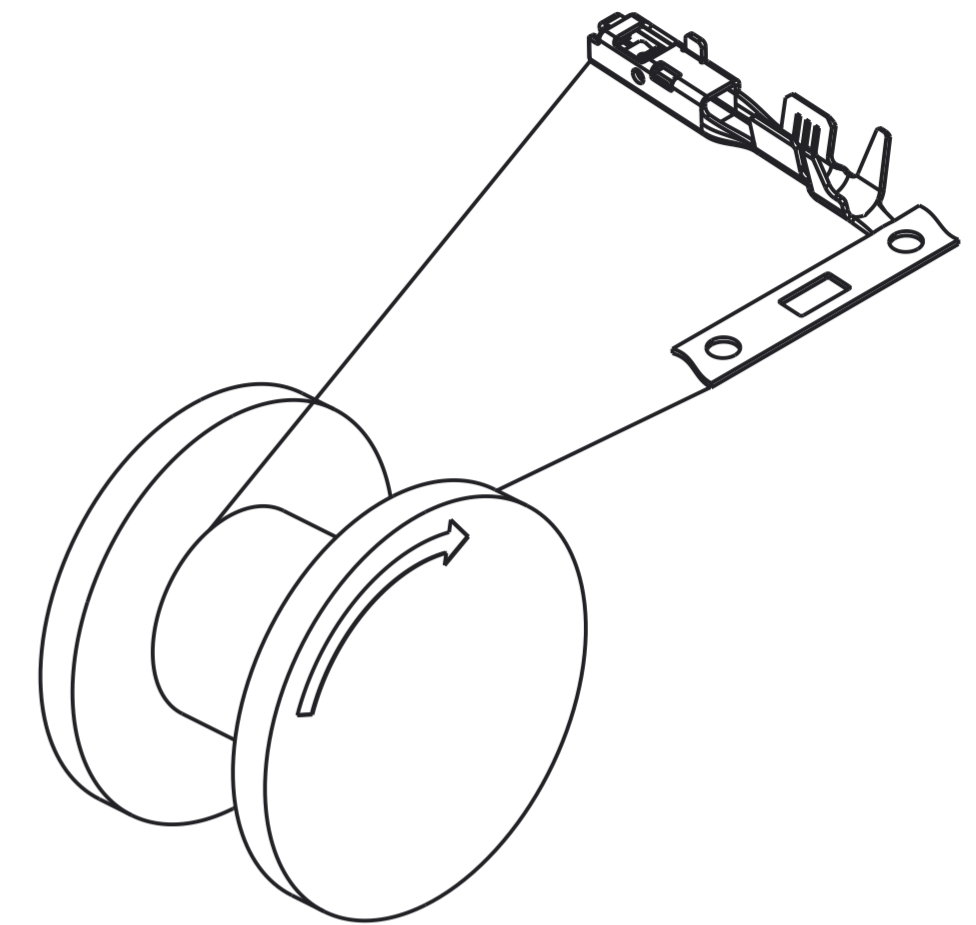
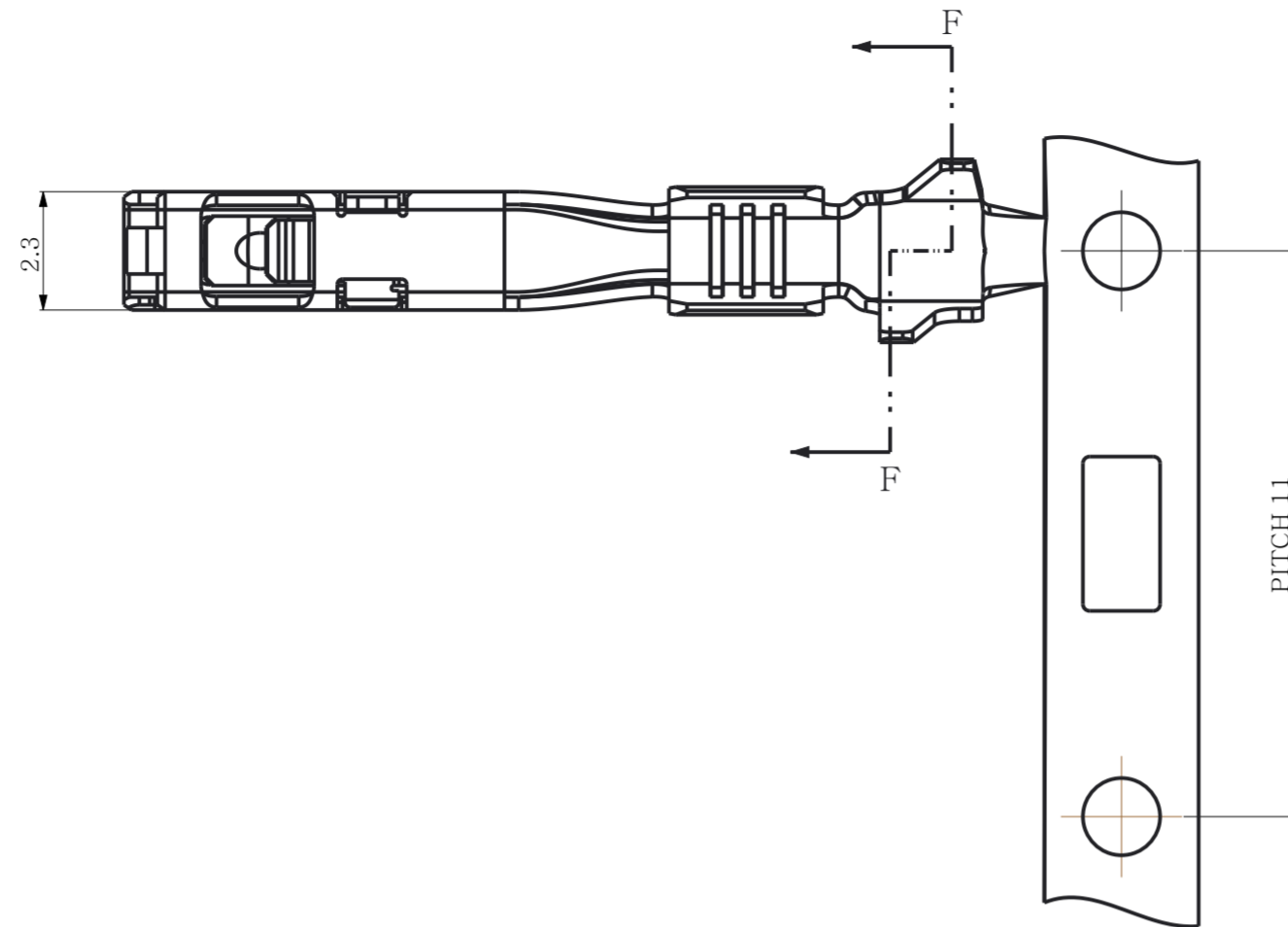
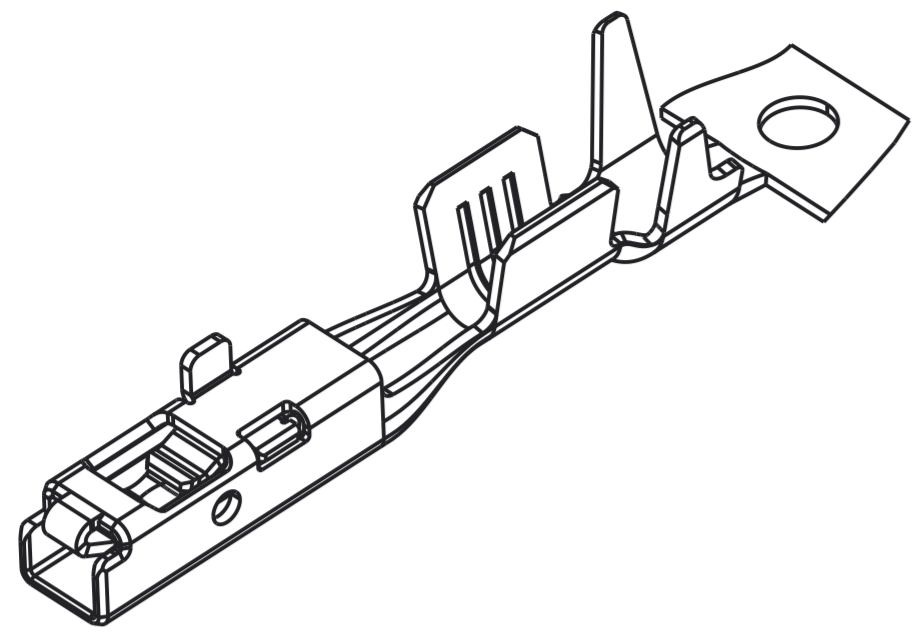
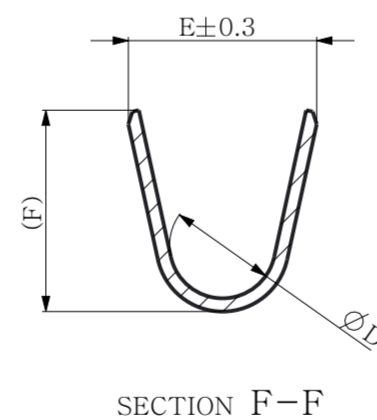
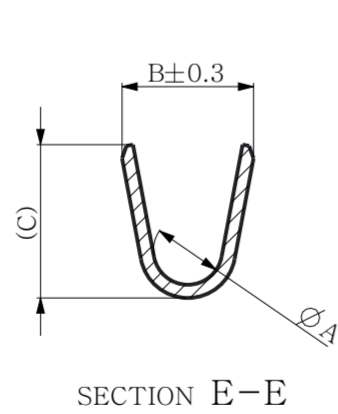
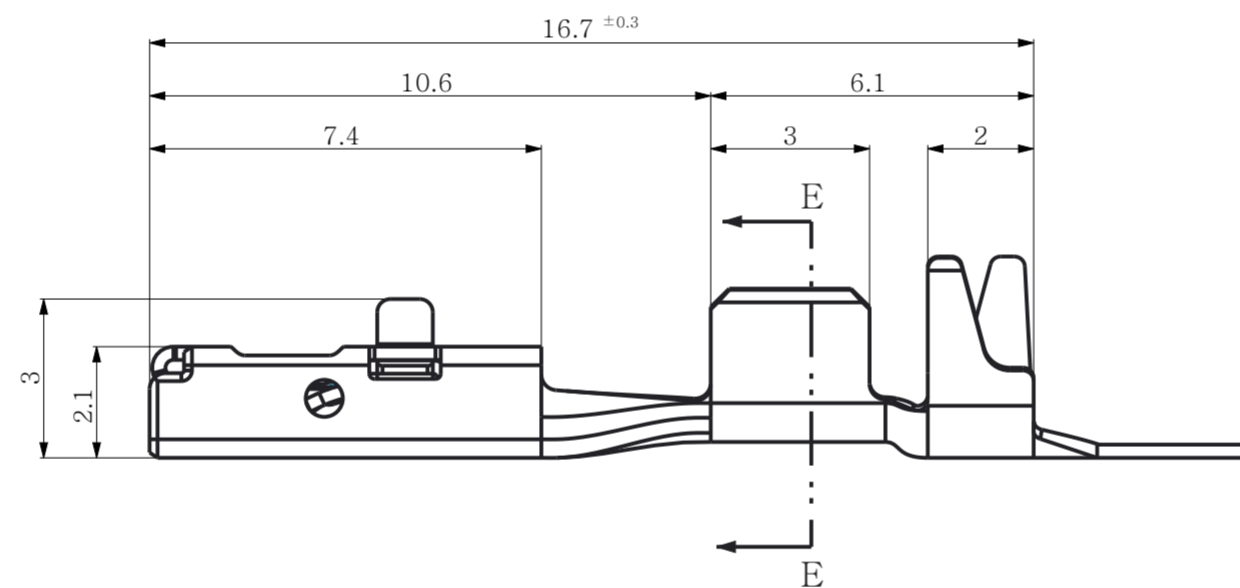
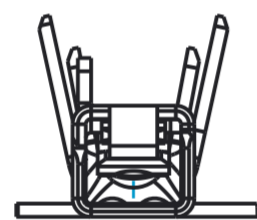


REV	REVISION RECORD	DATE	DRWN	CHKD	APVD
A	EO NO (RD-2019-175)	11DEC'19	JH	KH	CY



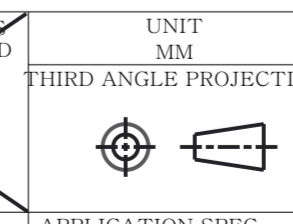
UNWINDING DIRECTION ON THE TOP OF REEL



- GENERAL TOLERANCE: ± 0.2 , ANGLE $\pm 3^\circ$
- 0.8um Min. TIN PLATED(REFLOW)
- MATING TAB THICKNESS: 0.64MM
- ACCEPTABLE TAB WIDTH: 1.6MM MAX.
- REFERENCE MATING MALE TERMINAL: KH1200035-20, -21, -22

REV	PART NO.	WIRE RANGE(mm ²)	INSULATION RANGE(Ø)	A	B	C	D	E	F	STRIP LENGTH	CCW ± 0.05	CCH ± 0.05	ICW ± 0.1	ICH
A	KH1200032-22	1.25	1.9~2.2	1.3	2.6	2.8	2.0	3.1	3.3	4.1 ± 0.2	2.05 "F"	1.25	2.35 "O"	2.4 (MAX)
A	KH1200032-21	0.85	1.6~1.9	1.3	2.6	2.8	2.0	3.1	3.3	4.1 ± 0.2	2.05 "F"	1.15	2.35 "O"	2.4 (MAX)
A	KH1200032-20	0.75	1.6~1.9	1.3	2.3	2.4	1.7	2.9	2.9	4.1 ± 0.2	1.75 "F"	1.25	2.0 "O"	2.4 (MAX)
A	KH1200032-21	0.5	1.4~1.7	1.3	2.3	2.4	1.7	2.9	2.9	4.1 ± 0.2	1.70 "F"	1.05	2.1 "O"	2.4 (MAX)
A	KH1200032-20	0.3/0.35	1.2~1.5	0.9	1.7	1.7	1.35	2.4	2.4	4.1 ± 0.2	1.45 "F"	0.86 ± 0.03	1.7 "O"	2.4 (MAX)

TOLERANCES UNLESS OTHERWISE SPECIFIED
 0.0 ±
 0.00 ±
 0.000 ±
 ANGLES ±
 PRODUCT SPEC



DRWN	JH RYU	(주)우주일렉트로닉스 UJU Electronics co.,Ltd.	
CHKD	KH PARK		
APVD	CY CHOI	NAME	
MATERIAL		060(1.5mm) FEMALE TERMINAL	
FINISH/COLOR		CUSTOMER	DRAWING NO
PRE-TIN		DRAWING	KH1200032
WEIGHT	-	LOC	RESTRICTED TO
APPLICATION SPEC		SIZE	SCALE
		A2	7:1
		SHEET	REV
		1 OF 1	A