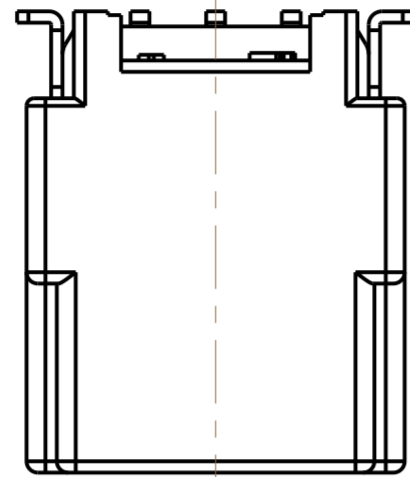
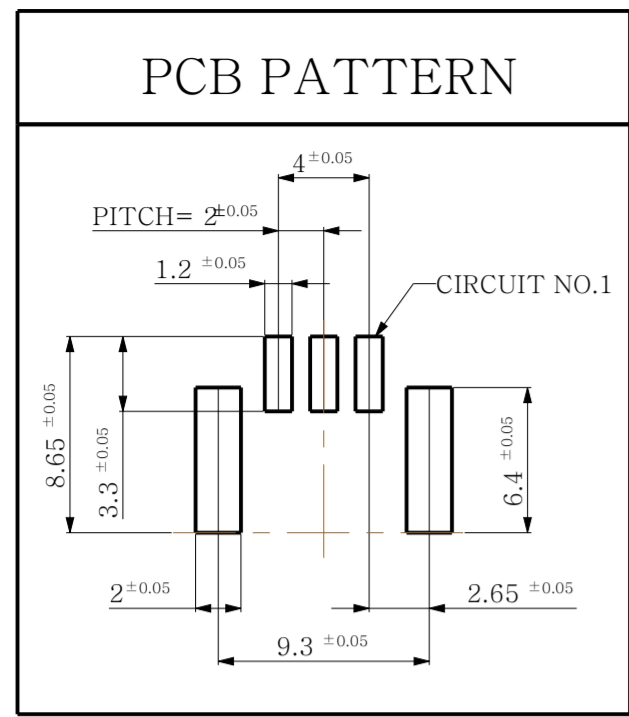
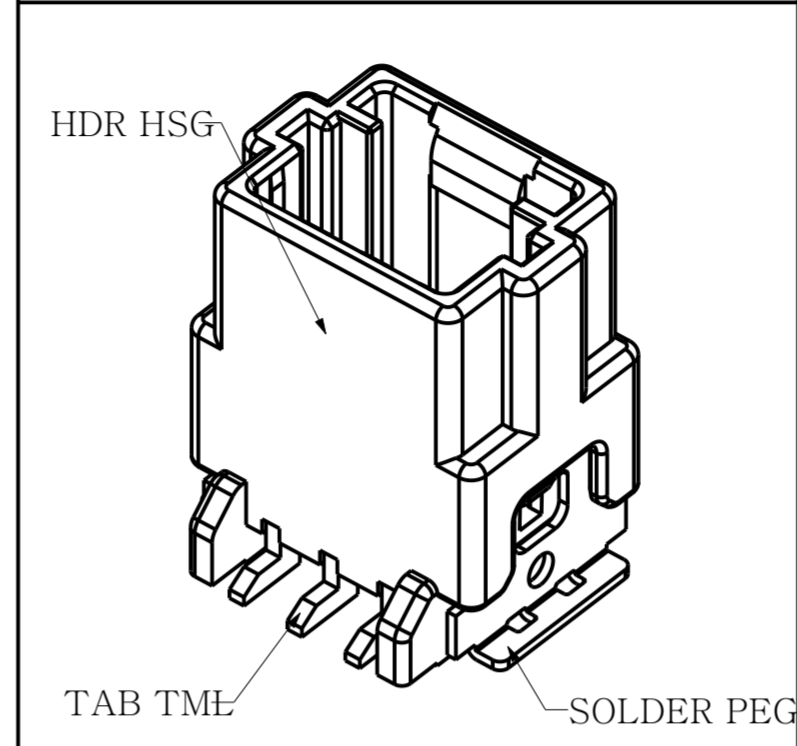


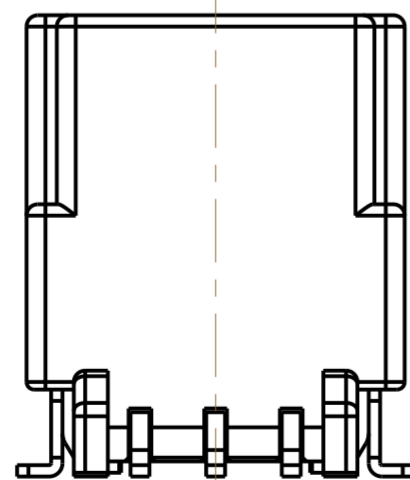
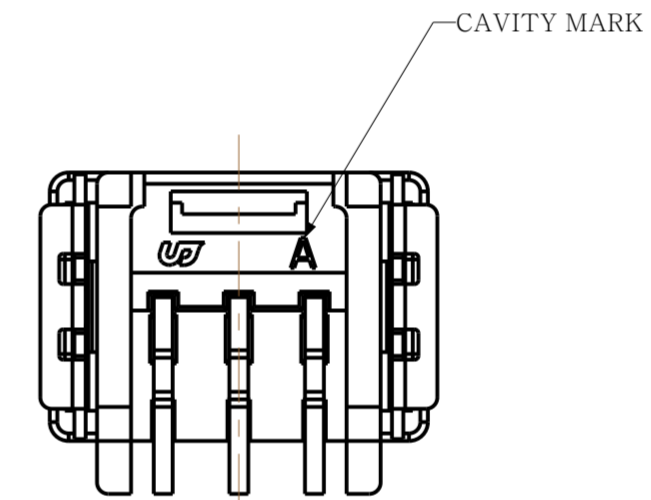
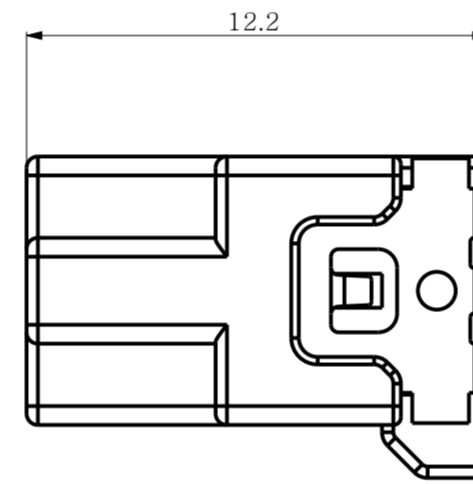
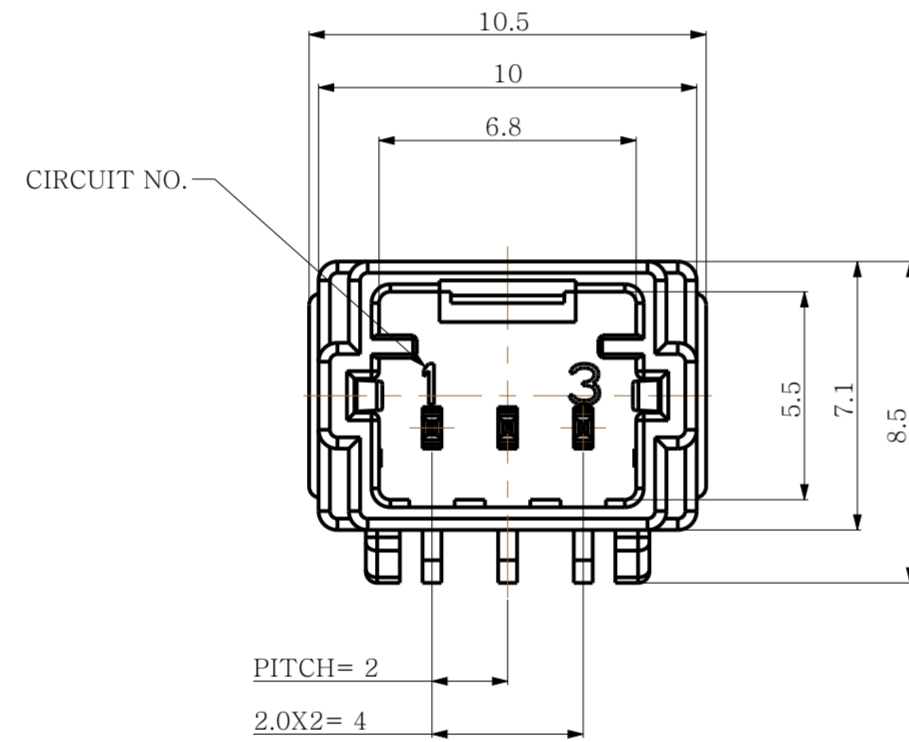
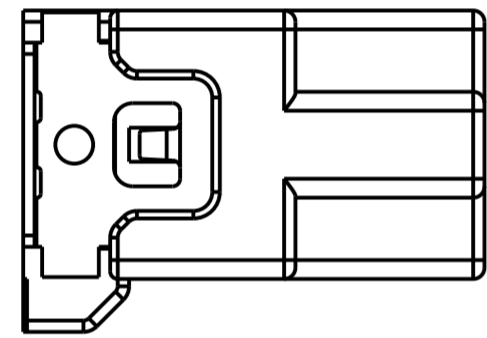
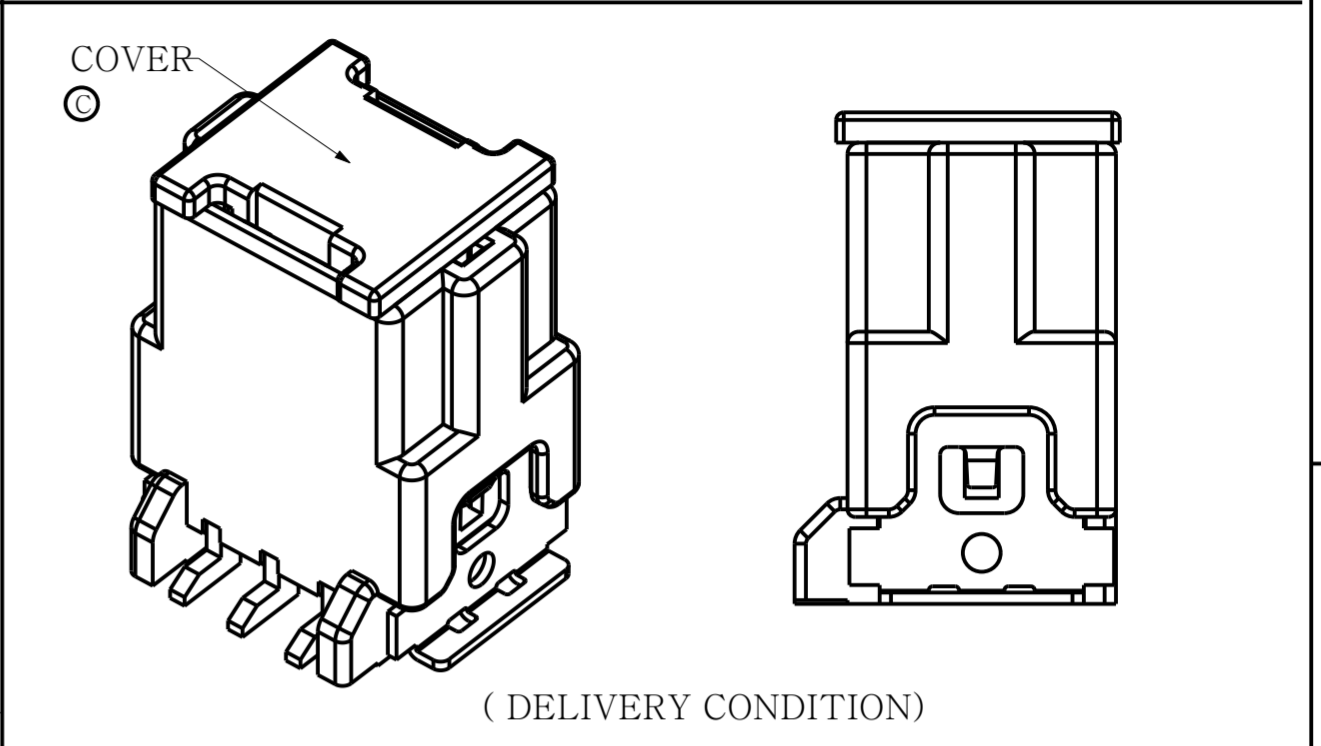
REV	REVISION RECORD	DATE	DRWN	CHKD	APVD
A2	REVISED(RD-2016-004)	28.MAR'16	CH		SJ
B	REVISED(RD-2016-030)	07.OCT'16	CH		SJ
C	REVISED(RD-2019-049)	2019.03.29	KH	SH	CY



### ASSEMBLY WITHOUT COVER



### ASSEMBLY WITH COVER



- NOTE.
- GENERAL TOLERANCE :  $\pm 0.3, \pm 3.0^\circ$
  - HSG DESCRIPTION : SEE TABLE-1
  - MATERIAL
    - HDR HSG : LCP
    - SOLDER PEG : BRASS, POST-TIN
    - TAB TML : BRASS, POST-TIN
    - Ⓐ COVER : LCP(BLACK)

TABLE-1 Ⓐ Ⓑ Ⓒ

DESCRIPTION	PART NO.	POS	MATERIAL/COLOR
020 3M SMT HDR ASSY (VTC)	KH1200025-70	3	LCP/GREEN
	KH1200025-40	3	LCP/BROWN
	KH1200025-20	3	LCP/BLACK
	KH1200025-10	3	LCP/NATURAL

TOLERANCES UNLESS OTHERWISE SPECIFIED 0 ± 0.0 ± 0.00 ± 0.000 ± 0.0000 ± ANGLES ± PRODUCT SPEC	UNIT MM	THIRD ANGLE PROJECTION	DRWN CH.PARK	(주)우주일렉트로닉스 UJU Electronics co.,Ltd.				
			CHKD CY.CHOI					
			APVD SJ.SONG					
			MATERIAL SEE TABLE-1					
		FINISH/COLOR SEE TABLE-1	CUSTOMER DRAWING	DRAWING NO. KH1200025				
		WEIGHT	LOC	RESTRICTED TO	SIZE A2	SCALE 5:1	SHEET 1 OF 1	REV C