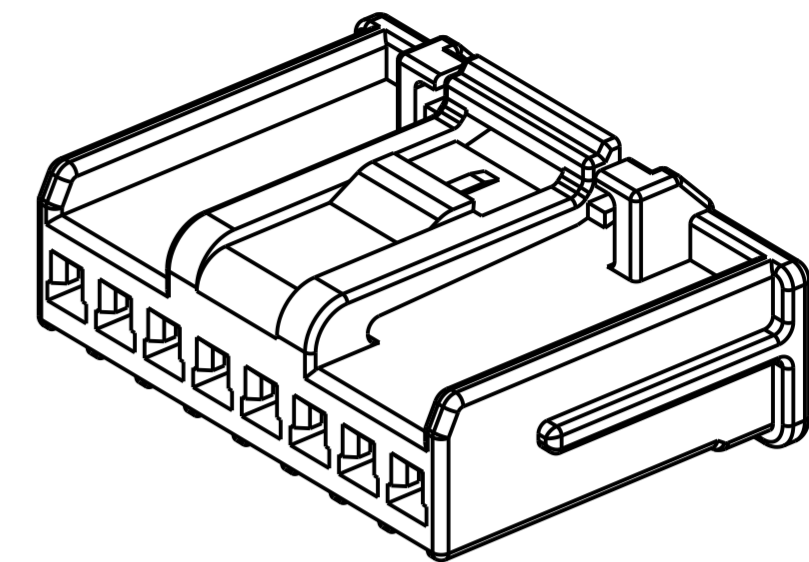
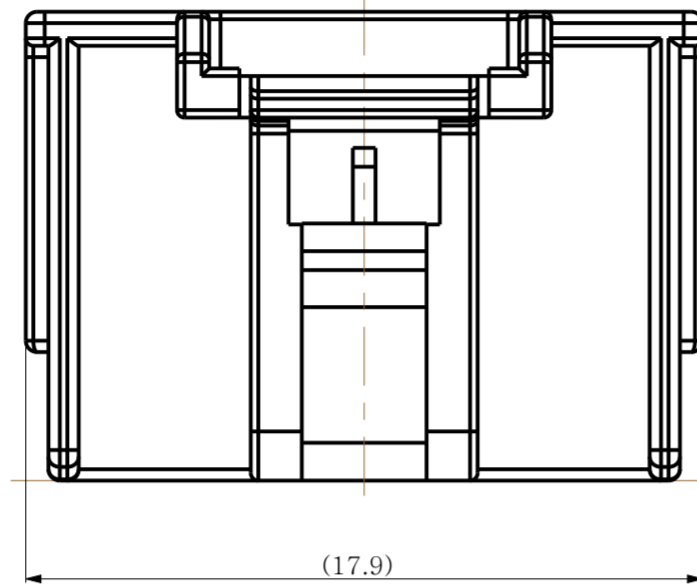


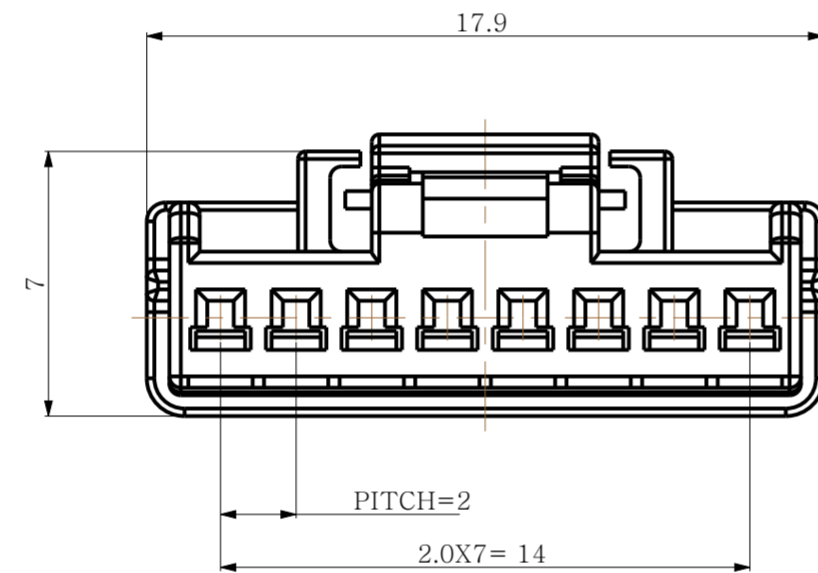
REV	REVISION RECORD	DATE	DRWN	APVD
A	RELEASED	23.JUL'13	BW	SJ
A1	REVISED(RD-2015-003)	22.JAN'15	BW	SJ
B	REVISED(RD-2017-023)	14.APR'17	KH	SJ



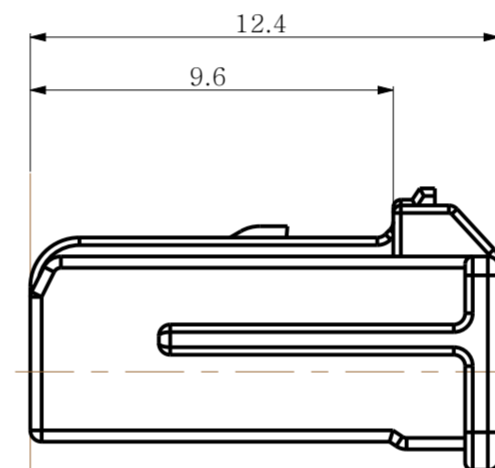
ISO VIEW



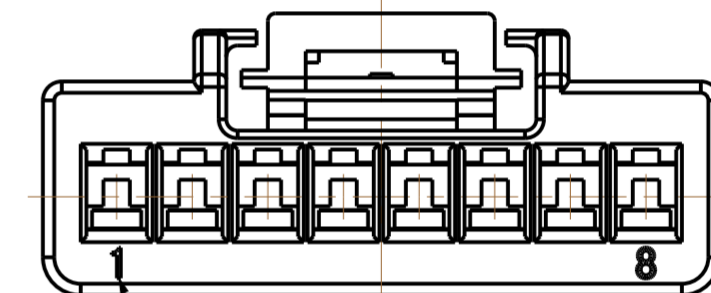
(17.9)



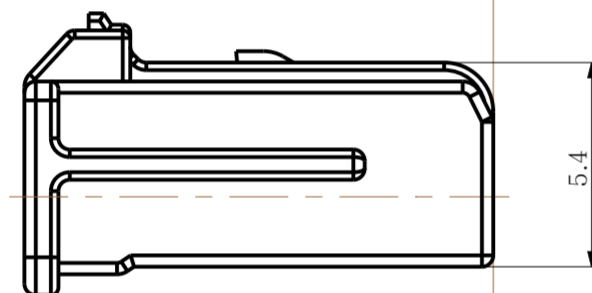
PITCH=2
2.0X7= 14



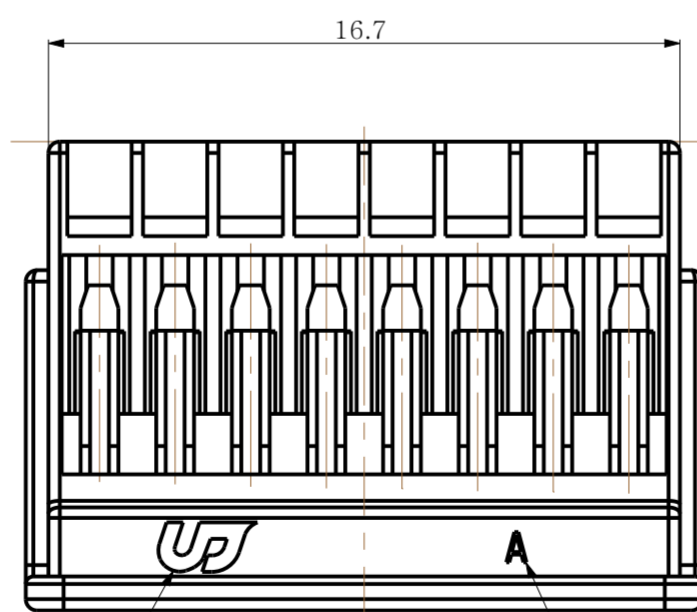
12.4
9.6



CIRCUIT NO.



5.4



16.7

UJU LOGO.

CAVITY MARK

NOTE

- 1.GENARAL TOLERANCE : ±0.3, ±3.0
- 2.HSG DESCRIPTION : SEE TABLE-1
- 3.APPLICABLE RECEPTACLE : SEE TABLE-2

TABLE-1

DESCRIPTION	PART NO.	Pos.	MATERIAL	FINISH/COLOR
020 8F HSG	KH1200024-20	8	PBT-GF10	BLACK
	KH1200024-10	8	PBT-GF10	NATURAL


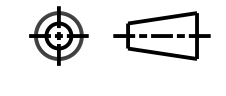
DRWN	KH.PARK				 (주)우주일렉트로닉스 UJU Electronics co.,Ltd.
CHKD	CY.CHOI				
APVD	SJ.SONG				
NAME		020 8F HSG			
MATERIAL		SEE TABLE-1			
FINISH/COLOR		SEE TABLE-2			
DRAWING		CUSTOMER	DRAWING NO		
WEIGHT		LOC	RESTRICTED TO	SIZE	SCALE
				A2	5:1
				SHEET	REV
				1 OF 1	B

TABLE-2

DESCRIPTION	PART NO.	MATERIAL	WIRE SIZE (mm2)
020 REC(L)	KH1200030-22	COPPER ALLOY	0.5
020 REC(M)	KH1200030-21	COPPER ALLOY	0.3~0.35

TOLERANCES UNLESS OTHERWISE SPECIFIED	UNIT MM
0 ±	THIRD ANGLE PROJECTION
0.0 ±	
0.00 ±	
0.000 ±	
0.0000 ±	
ANGLES ±	
PRODUCT SPEC	APPLICATION SPEC