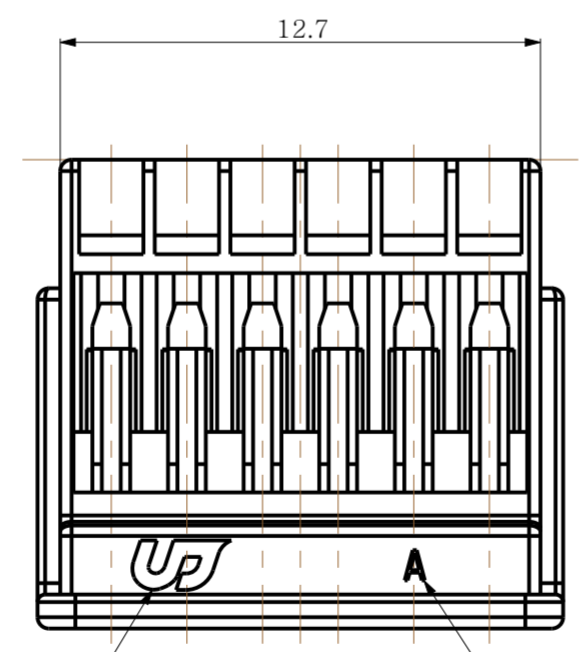
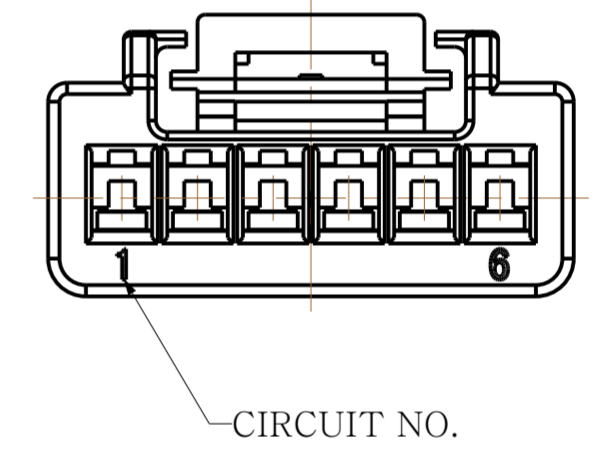
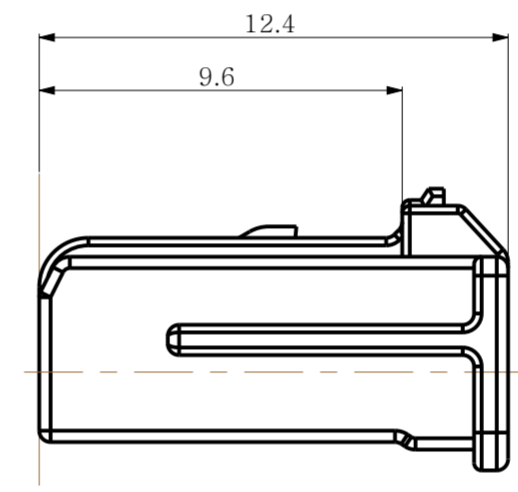
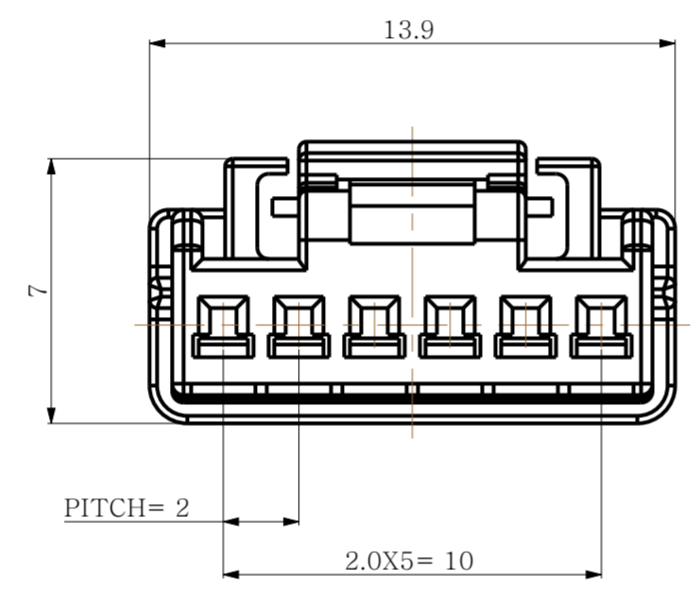
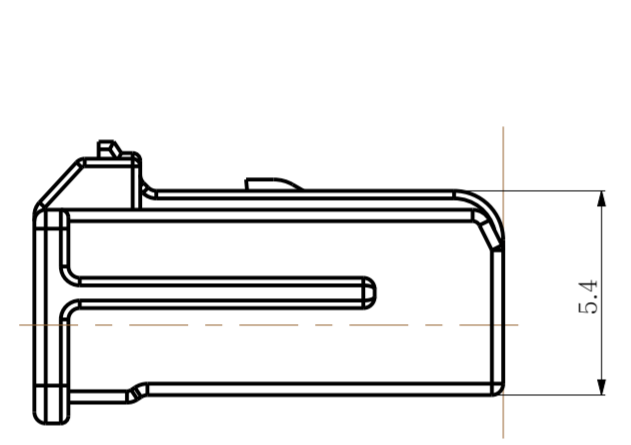
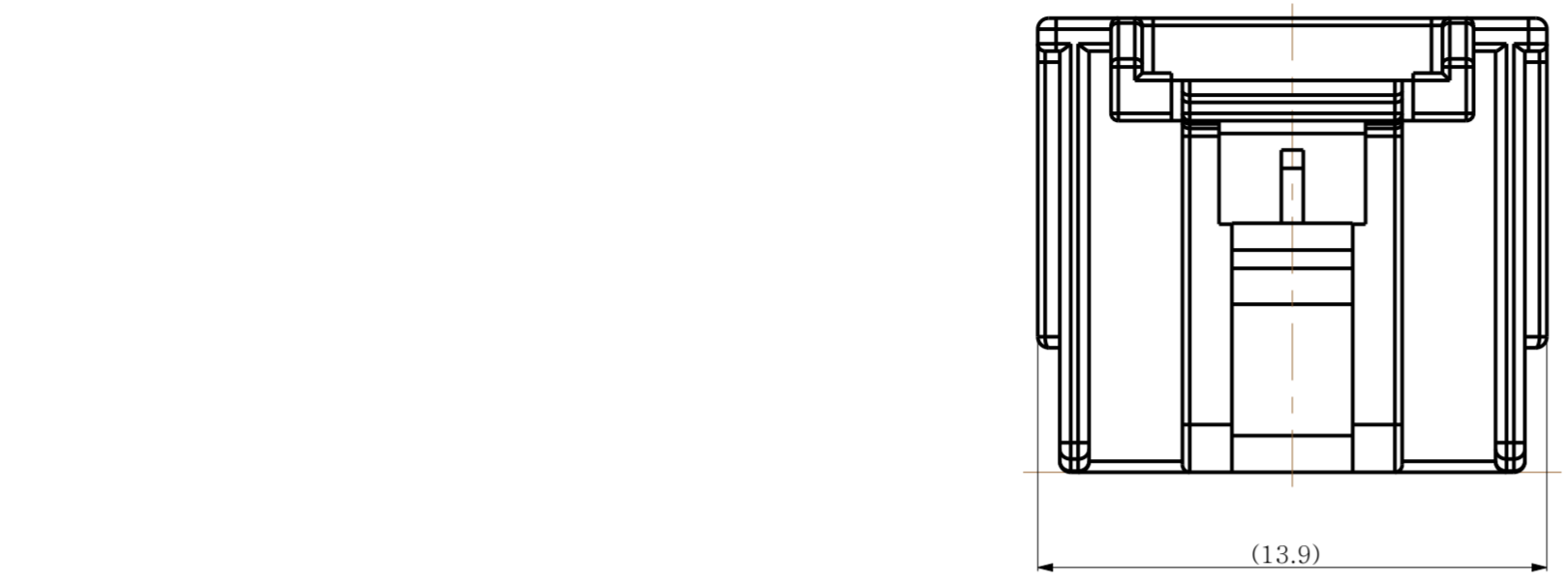
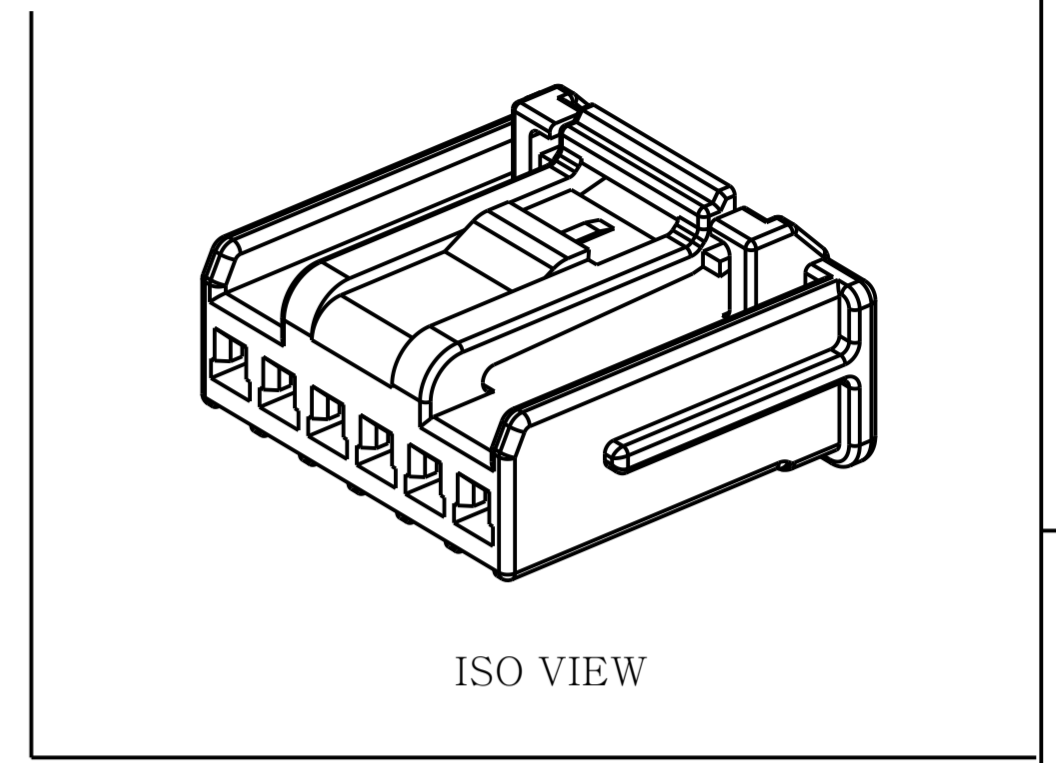


REV	REVISION RECORD	DATE	DRWN	APVD
A	RELEASED	06.MAY'13	BW	SJ
A1	REVISED(RD-2015-003)	22.JAN'15	BW	SJ
B	REVISED(RD-2017-023)	14.APR'17	KH	SJ



UJU LOGO.

CAVITY MARK

NOTE  
 1.GENARAL TOLERANCE : ±0.3, ±3.0  
 2.HSG DESCRIPTION : SEE TABLE-1  
 3.APPLICABLE RECEPTACLE : SEE TABLE-2

TABLE-1				
DESCRIPTION	PART NO.	Pos.	MATERIAL	FINISH/COLOR
020 6F HSG	KH1200021-20	6	PBT-GF10	BLACK
	KH1200021-10	6	PBT-GF10	NATURAL

DRWN	KH.PARK			
CHKD	CY.CHOI			
APVD	SJ.SONG			
MATERIAL	SEE TABLE-1			
FINISH/COLOR	SEE TABLE-2			
WEIGHT	SEE TABLE-2			
LOC	RESTRICTED TO	SIZE	SCALE	SHEET
		A2	5:1	1 OF 1
DRAWING		DRAWING NO		
		KH1200021		
REV	B			

TABLE-2				
DESCRIPTION	PART NO.	MATERIAL	WIRE SIZE (mm2)	ANGLE
020 REC(L)	KH1200030-22	COPPER ALLOY	0.5	±
020 REC(M)	KH1200030-21	COPPER ALLOY	0.3~0.35	±

TOLERANCES UNLESS OTHERWISE SPECIFIED

UNIT MM

THIRD ANGLE PROJECTION

PRODUCT SPEC APPLICATION SPEC