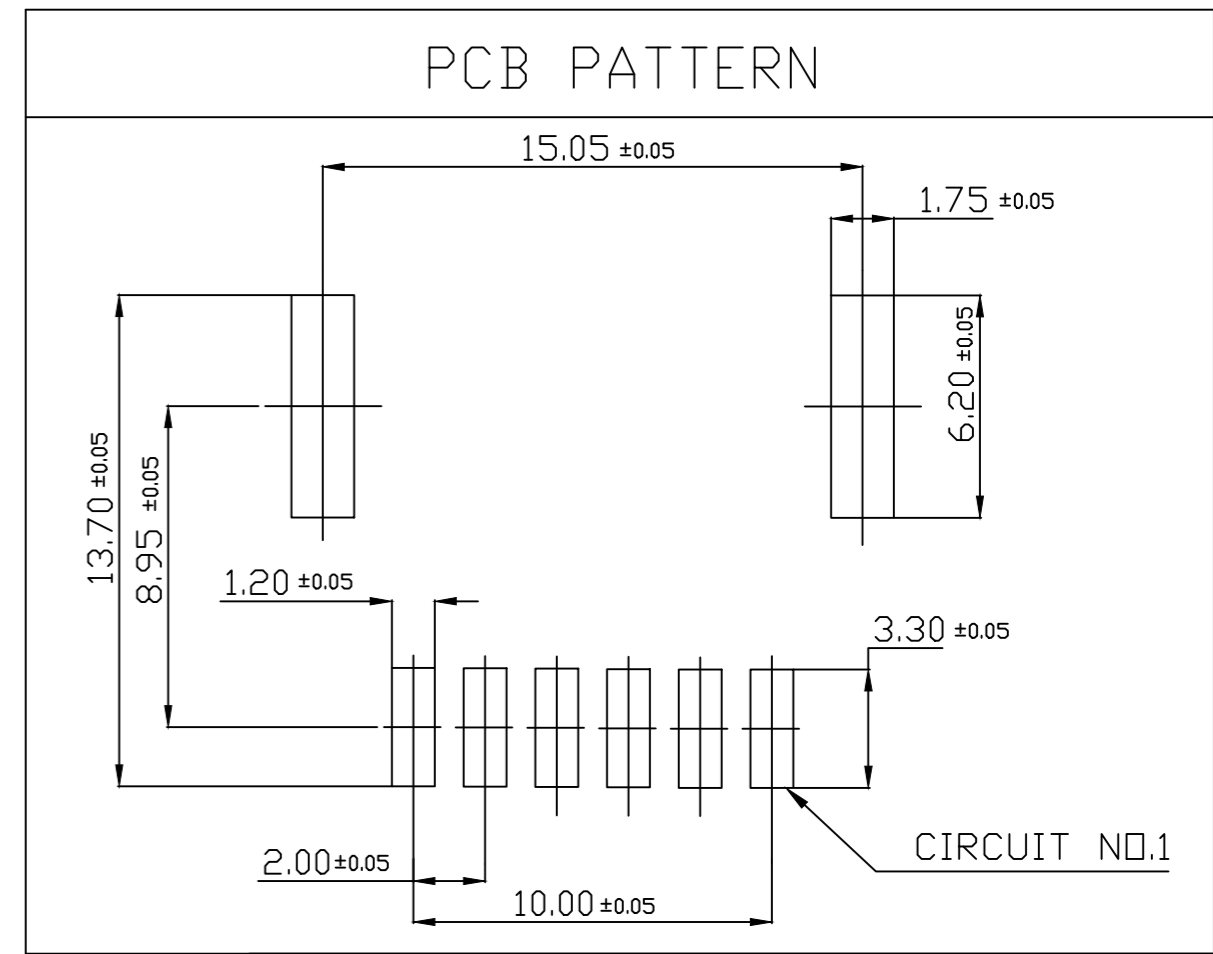
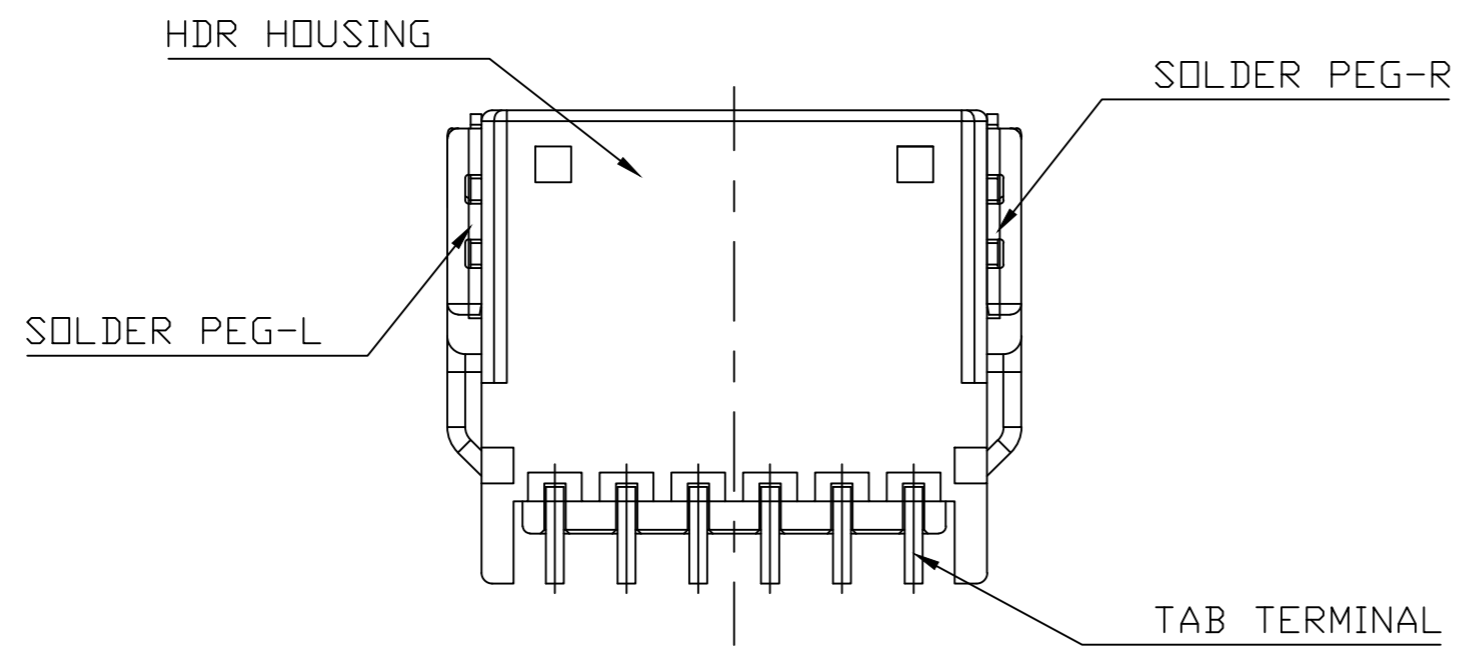
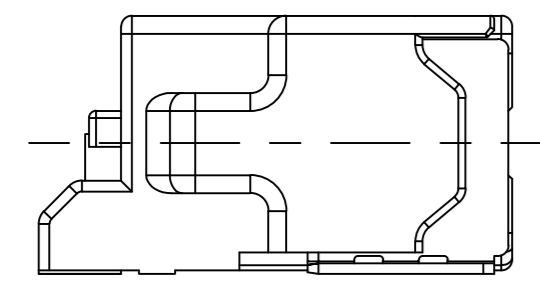
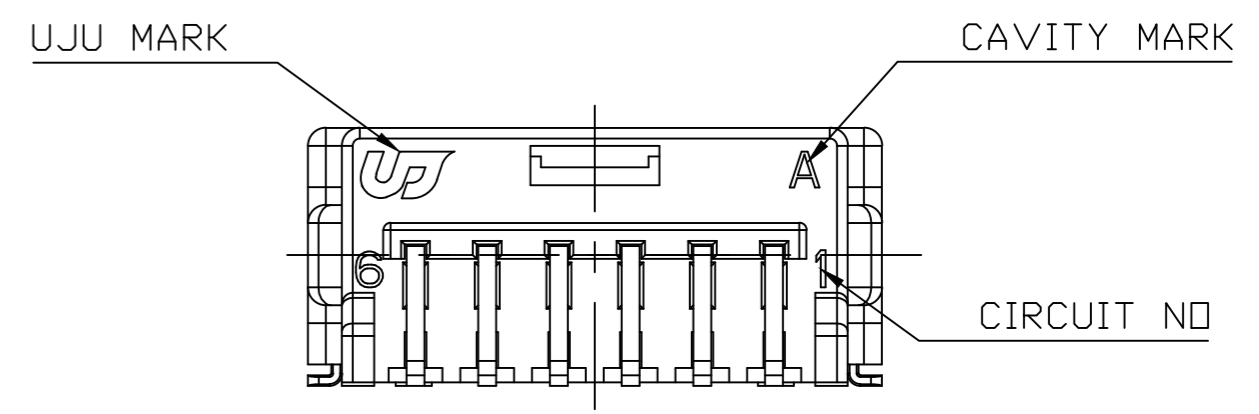
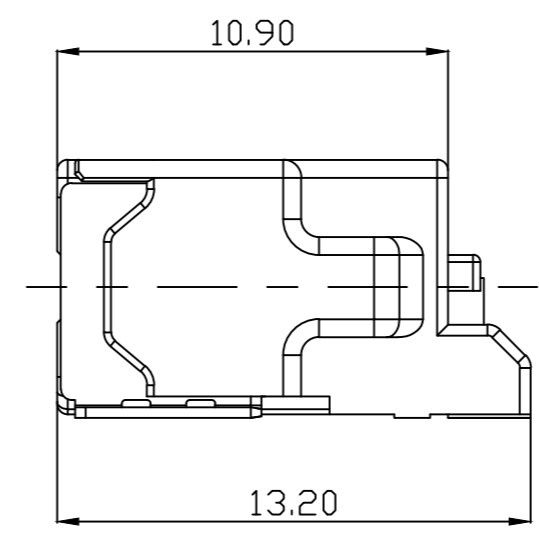
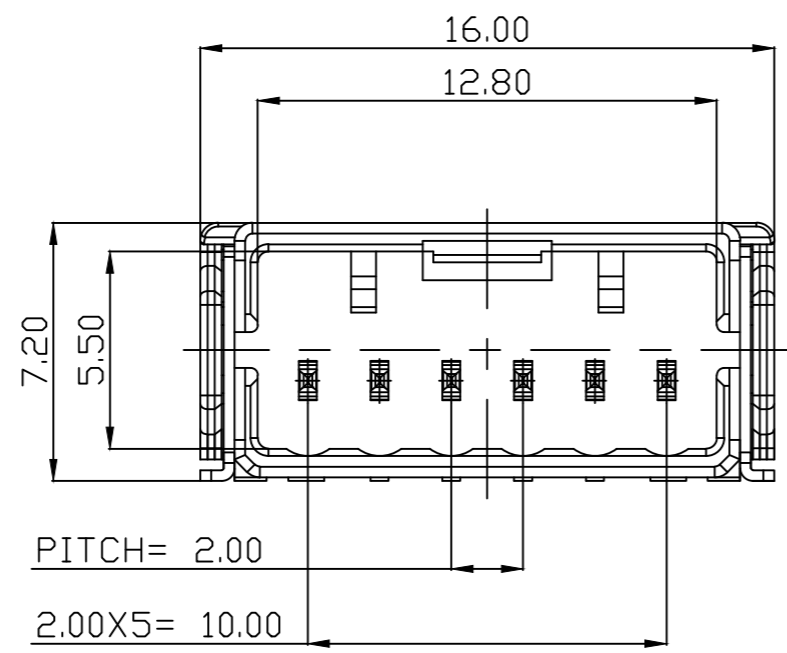
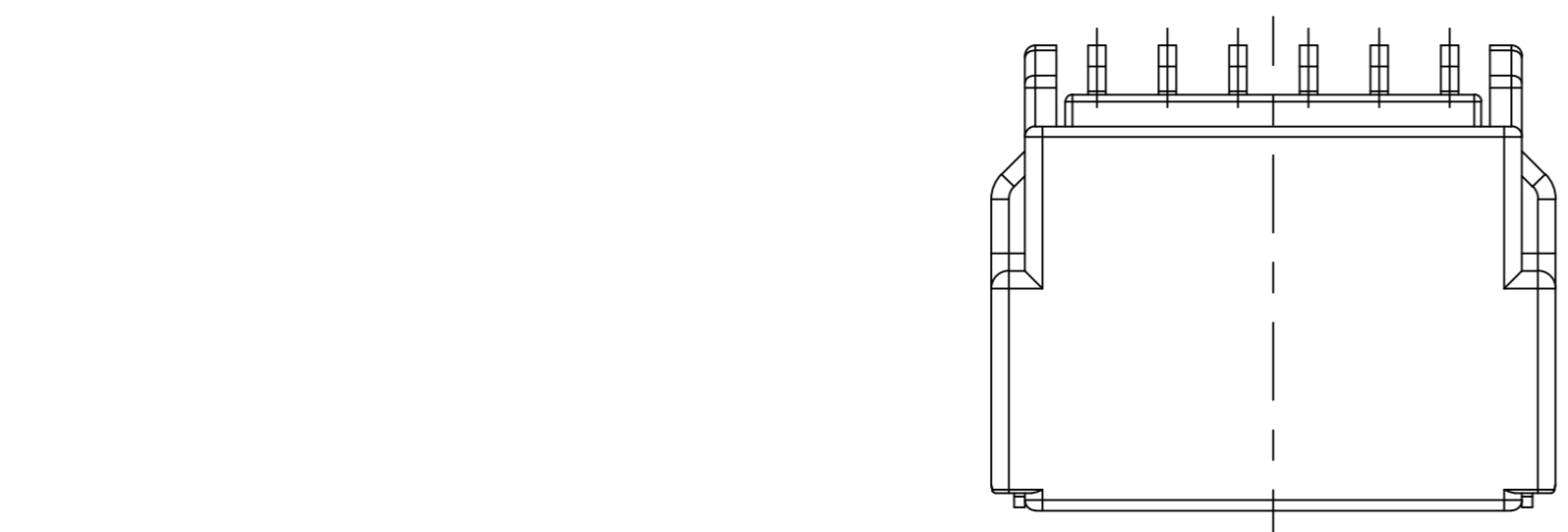
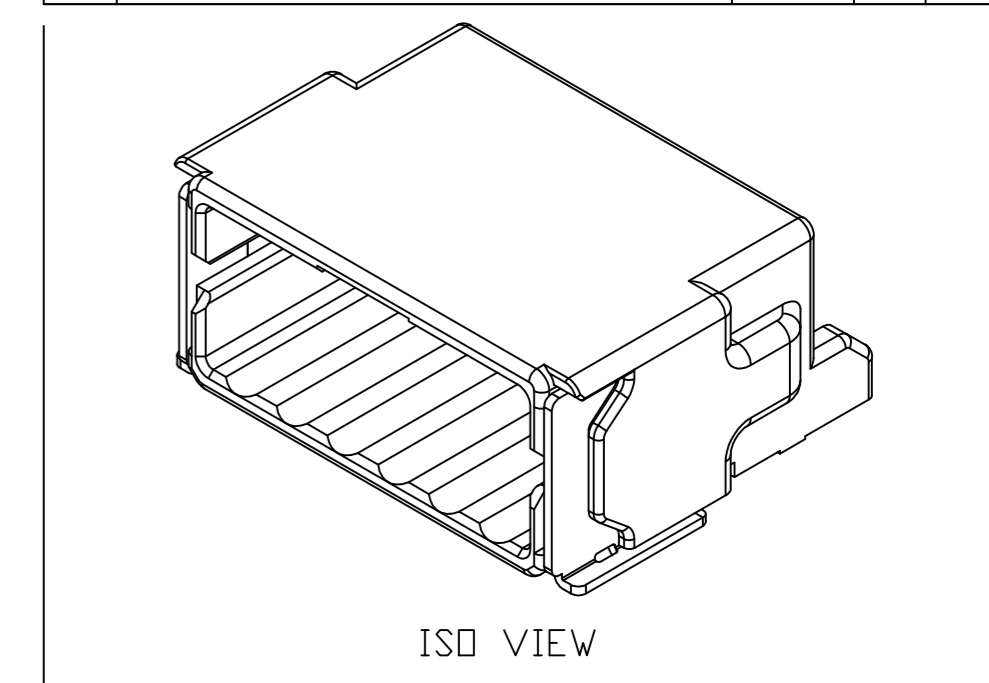


REV	REVISION RECORD	DATE	DRWN	APVD
A	RELEASED	06MAY'13	BW	SJ



NOTE  
 1. GENERAL TOLERANCE : ±0.3, ±3.0°  
 2. HSG DESCRIPTION : SEE TABLE-1  
 3. MATERIAL  
 - HDR HSG : LCP  
 - SOLDER PEG : COPPER ALLOY (POST-TIN)  
 - TAB TML : COPPER ALLOY (POST-TIN)

DESCRIPTION	P/N	Pos	MATERIAL/COLOR
020 6M SMT HDR ASSY(HZT)	KH1200019-20	6	LCP/BLACK
	KH1200019-10	6	LCP/NATURAL

TOLERANCES UNLESS OTHERWISE SPECIFIED	UNIT MM
0 ±	THIRD ANGLE PROJECTION
0.0 ±	
0.00 ±	
0.000 ±	
ANGLES ±	
PRODUCT SPEC	APPLICATION SPEC

DRWN BW.KANG	CHKD YD.LEE	APVD S.J.SONG	MATERIAL SEE TABLE-1	FINISH/COLOR SEE TABLE-1	WEIGHT
(주)우주 일렉트로닉스 UJU Electronics co.,Ltd.					
NAME 020 6M SMT HDR ASSY(HZT)			CUSTOMER		
DRAWING NO KH1200019			DRAWING		
LDC	RESTRICTED ID	SIZE A2	SCALE 5/1	SHEET 1 of 2	REV A