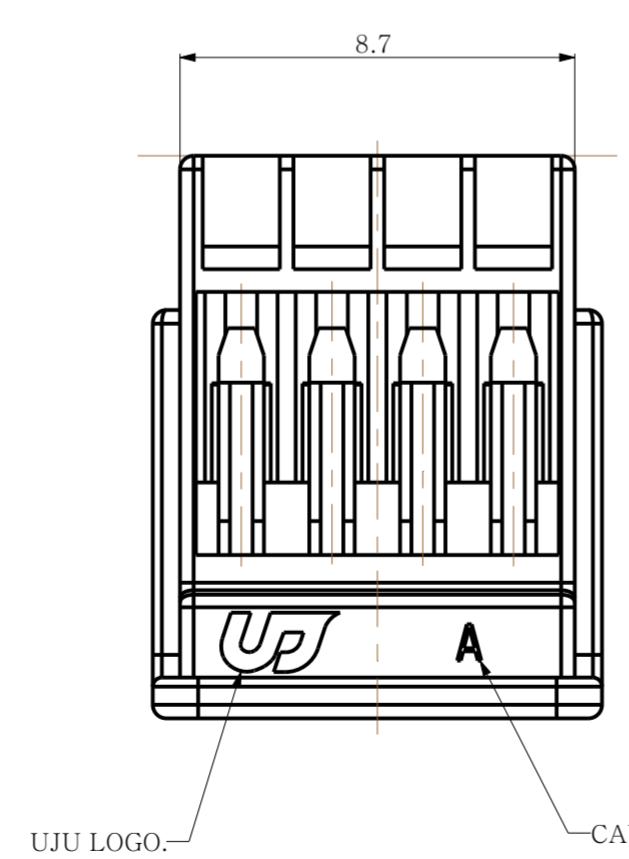
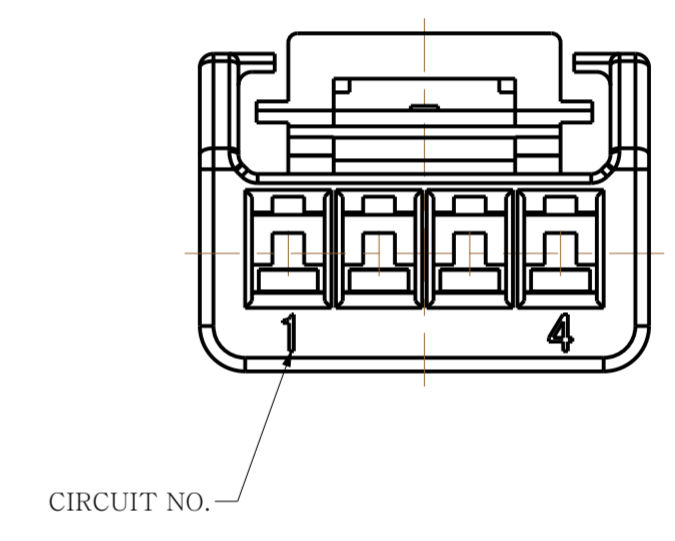
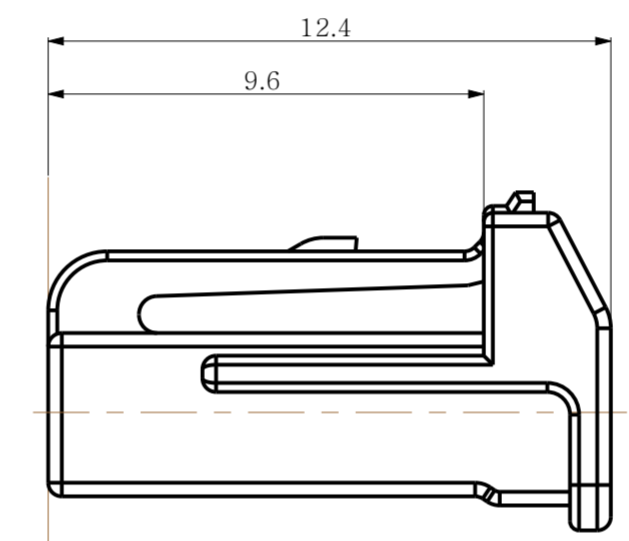
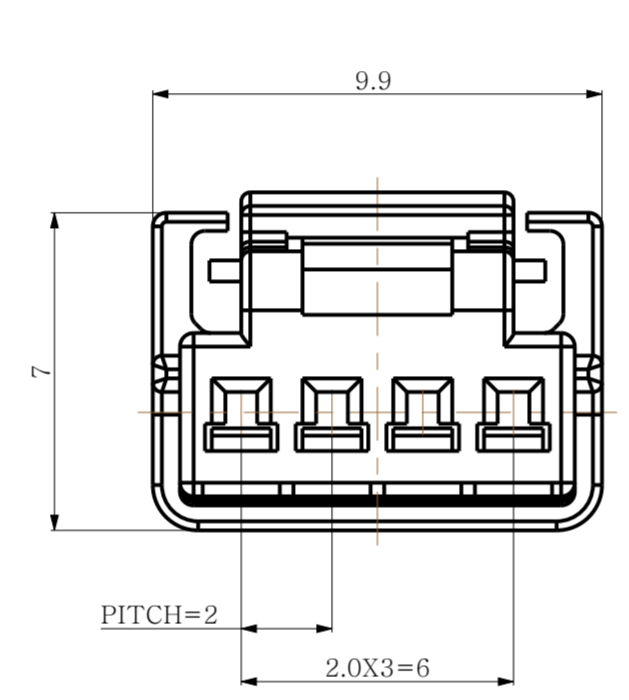
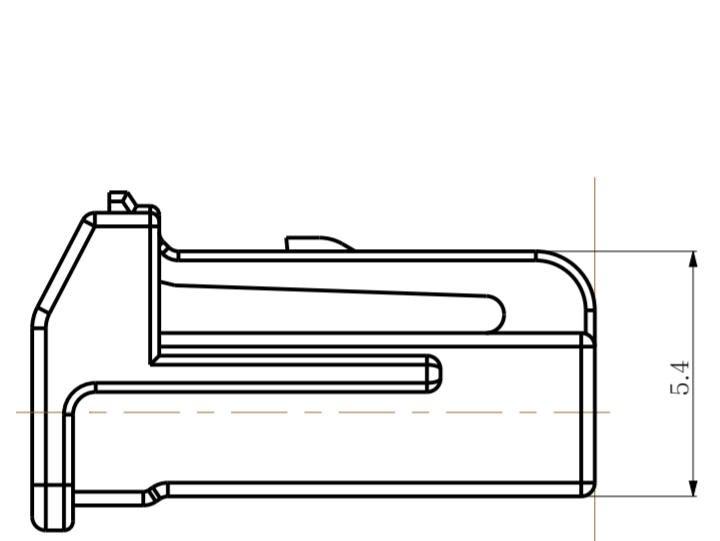
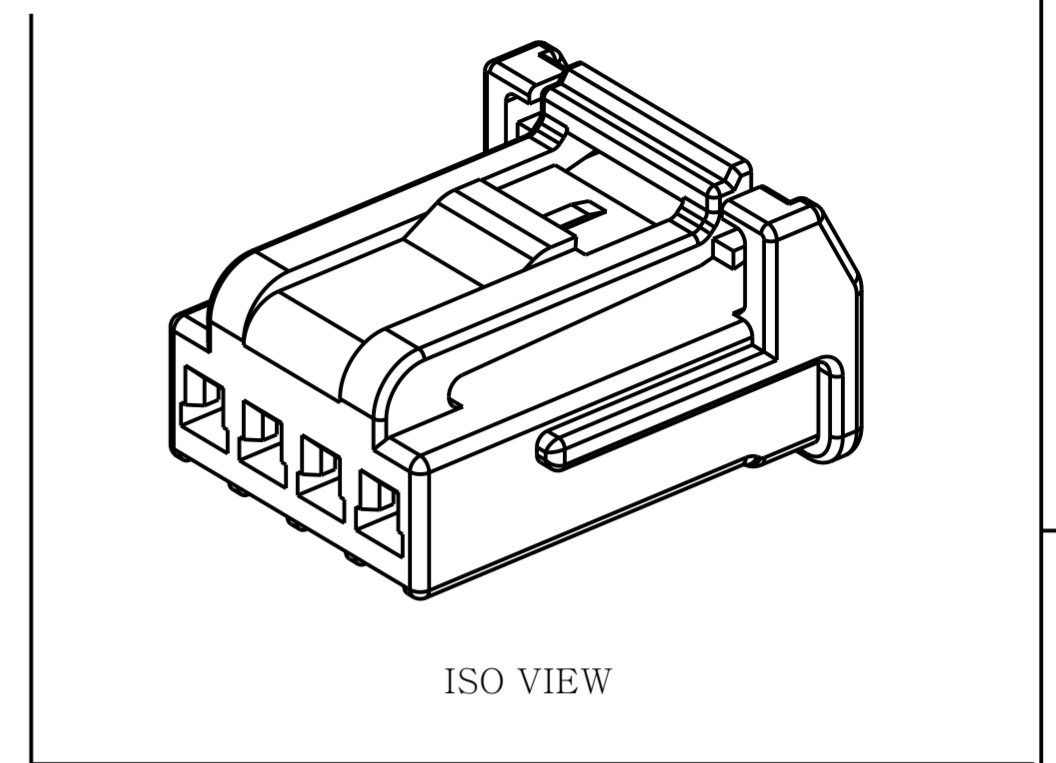


REV	REVISION RECORD	DATE	DRWN	APVD
A	RELEASED	22.APR'13	BW	SJ
A1	REVISED(RD-2015-003)	22.JAN'15	BW	SJ
B	REVISED(RD-2017-023)	14.APR'17	KH	SJ



NOTE  
 1.GENARAL TOLERANCE : ±0.3, ±3.0  
 2.HSG DESCRIPTION : SEE TABLE-1  
 3.APPLICABLE RECEPTACLE : SEE TABLE-2

DESCRIPTION	PART NO.	Pos.	MATERIAL	FINISH/COLOR
020 4F HSG	KH1200018-20	4	PBT-GF10	BLACK
	KH1200018-10	4	PBT-GF10	NATURAL

DESCRIPTION	PART NO.	MATERIAL	WIRE SIZE (mm2)
020 REV(L)	KH1200030-22	COPPER ALLOY	0.5
020 REC(M)	KH1200030-21	COPPER ALLOY	0.3~0.35

TOLERANCES UNLESS OTHERWISE SPECIFIED	UNIT MM
0 ±	THIRD ANGLE PROJECTION
0.0 ±	
0.00 ±	
0.000 ±	
0.0000 ±	
ANGLES ±	
PRODUCT SPEC	APPLICATION SPEC

DRWN	KH.PARK			
CHKD	YD.LEE			
APVD	SJ.SONG			
MATERIAL	SEE TABLE-1			
FINISH/COLOR	SEE TABLE-1			
WEIGHT	/			
LOC	RESTRICTED TO	SIZE	SCALE	SHEET
		A2	6:1	1 OF 1
NAME		DRAWING NO		
020 4F HSG		KH1200018		
REV	B			