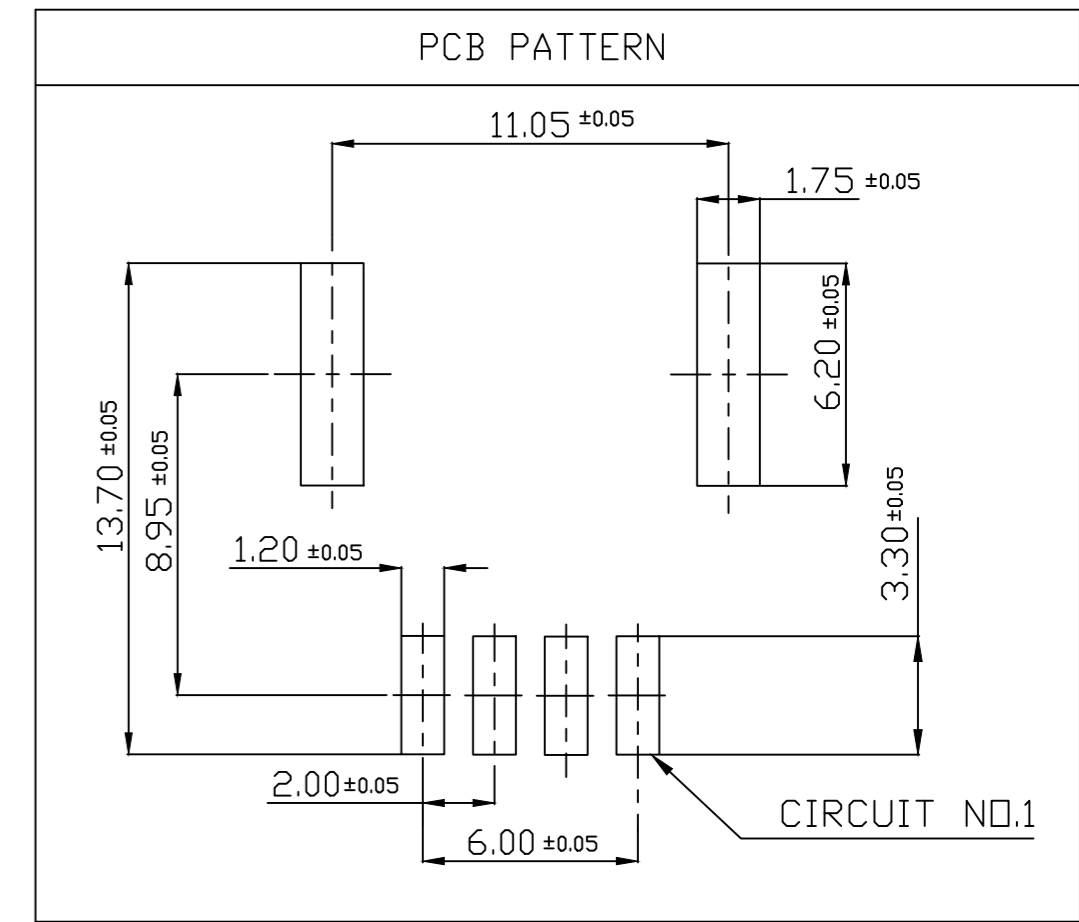
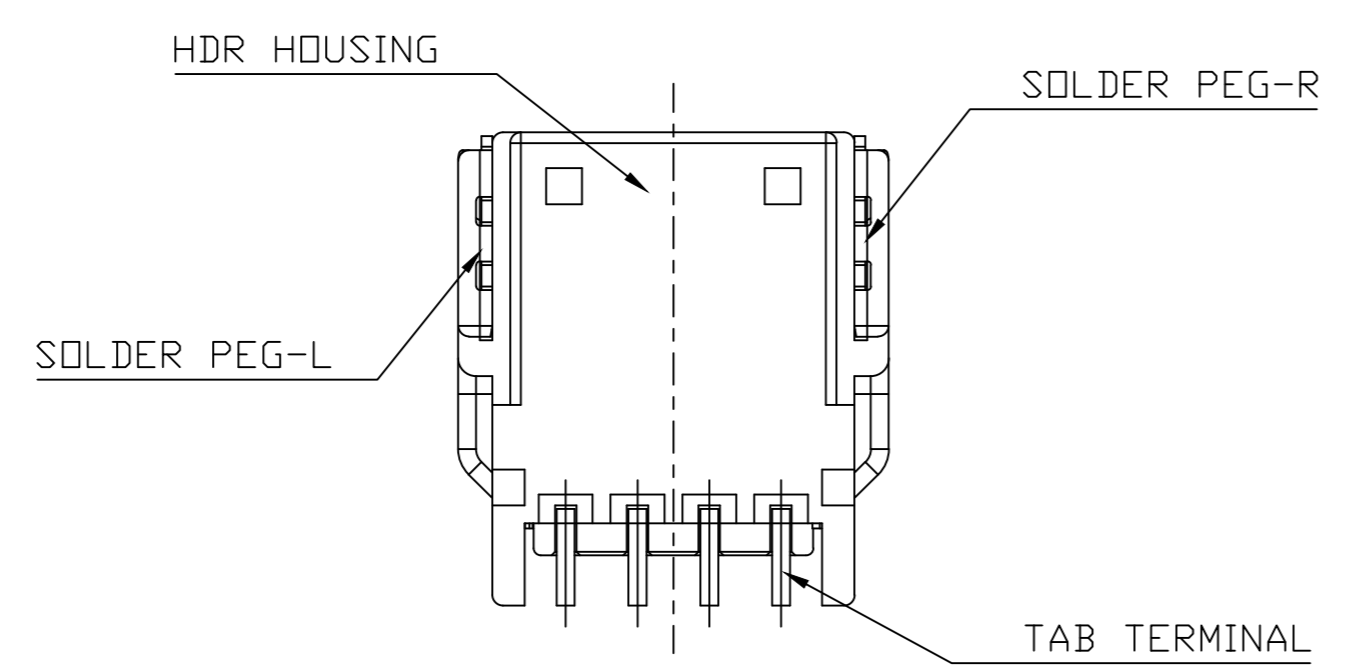
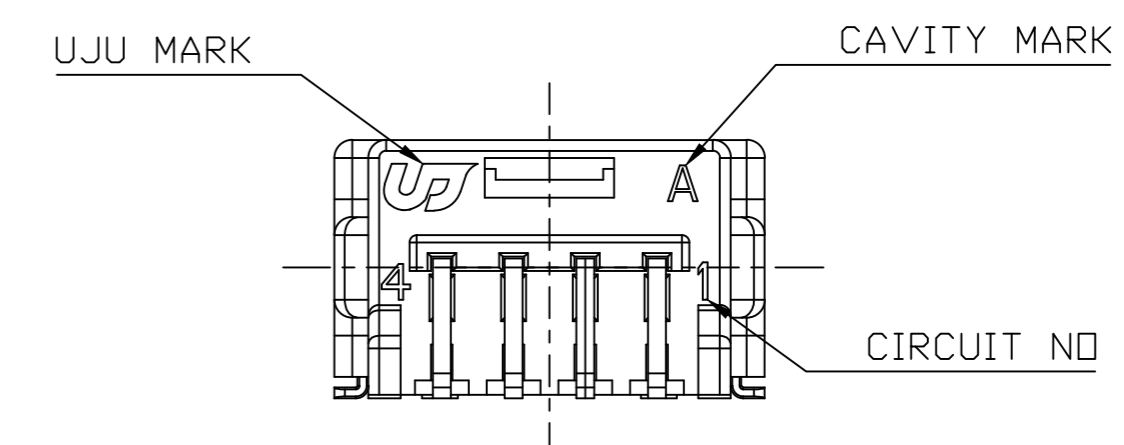
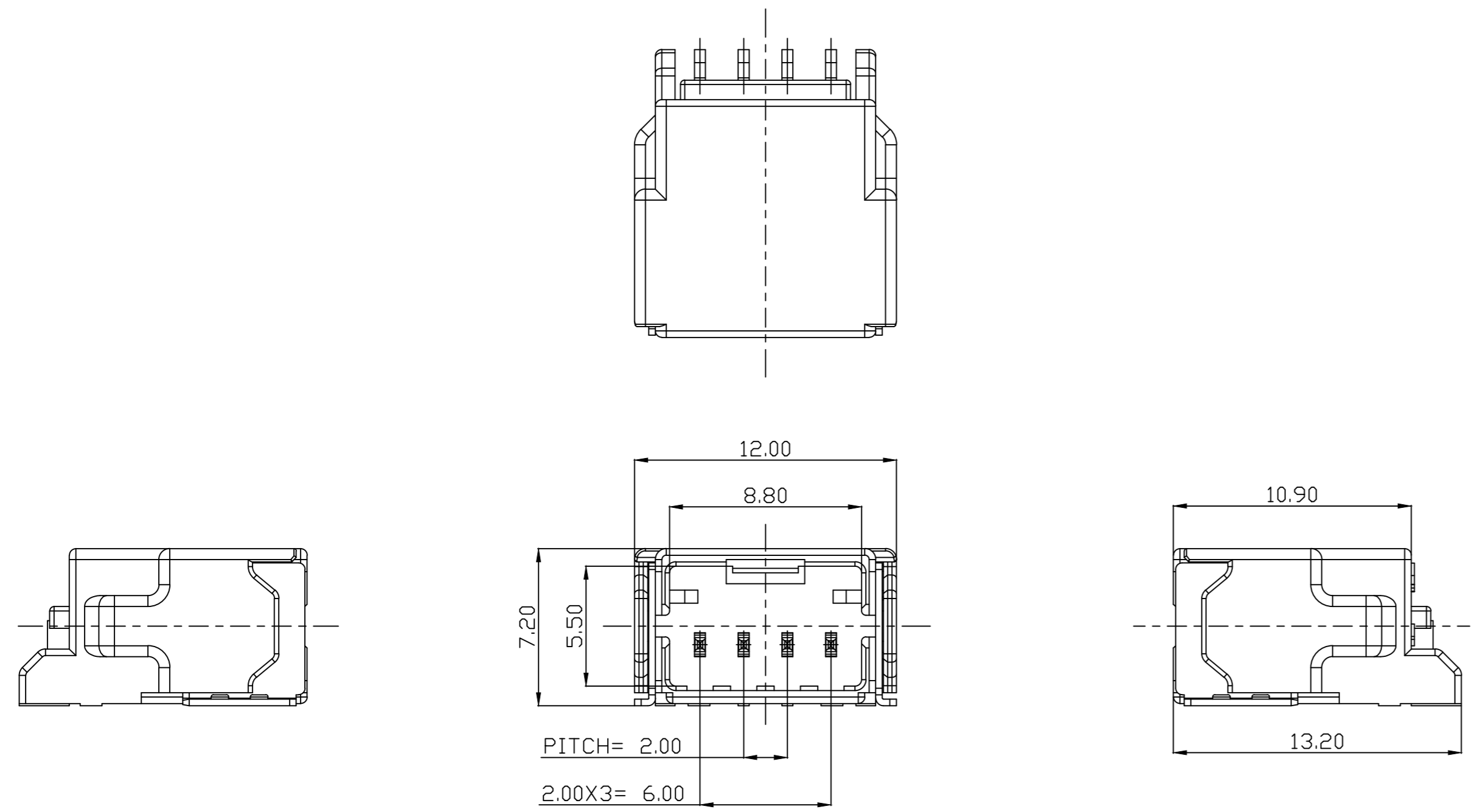
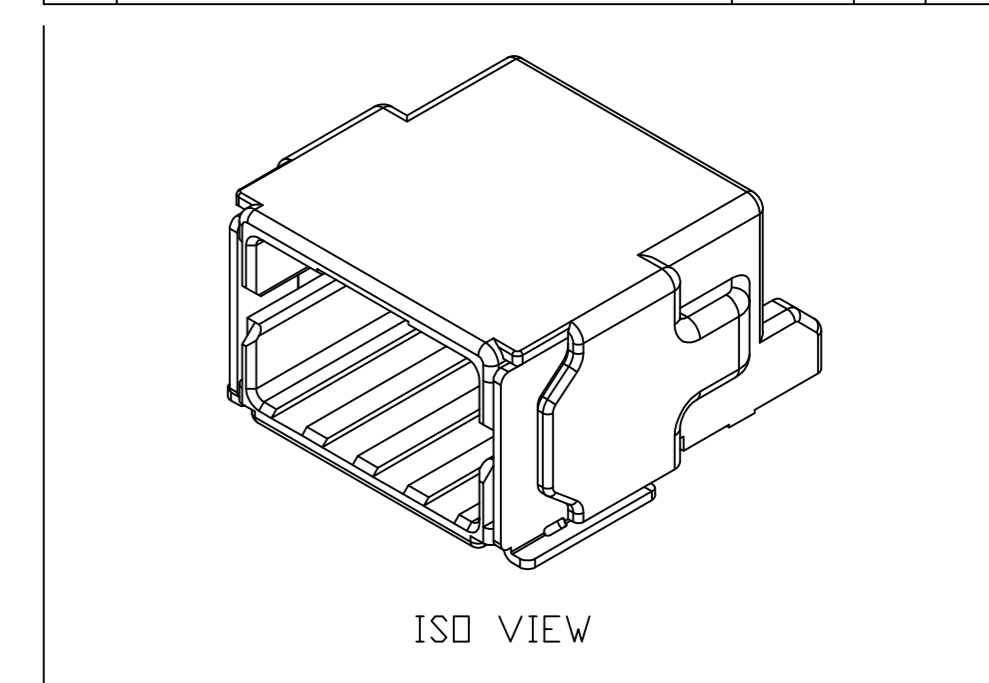


REV	REVISION RECORD	DATE	DRWN	APVD
A	RELEASED	03APR'13	BW	SJ



NOTE
 1. GENERAL TOLERANCE : ±0.3, ±3.0°
 2. HSG DESCRIPTION : SEE TABLE-1
 3. MATERIAL
 - HDR HSG : LCP
 - SOLDER PEG : COPPER ALLOY (POST-TIN)
 - TAB TML : COPPER ALLOY (POST-TIN)

DESCRIPTION	P/N	Pos	MATERIAL/COLOR
020 4M SMT HDR ASSY(HZT)	KH1200016-20	4	LCP/BLACK
	KH1200016-10	4	LCP/NATURAL

TOLERANCES UNLESS OTHERWISE SPECIFIED	UNIT MM
0 ± 0.0 ± 0.00 ± 0.000 ± ANGLES ±	THIRD ANGLE PROJECTION
PRODUCT SPEC	APPLICATION SPEC

DRWN BW.KANG	CHKD YD.LEE	APVD S.J.SONG	MATERIAL SEE TABLE-1	FINISH/COLOR SEE TABLE-1	WEIGHT
(주)우주 일렉트로닉스 UJU Electronics co.,Ltd.					
NAME 020 4M SMT HDR ASSY(HZT)			DRAWING NO KH1200016		
CUSTOMER		DRAWING			
LDC	RESTRICTED ID	SIZE A2	SCALE 5/1	SHEET 1 of 2	REV A