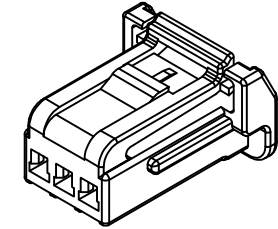


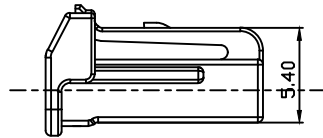
REV	REVISION RECORD	DATE	DRWN	APVD
A1	RELEASED(RD-2015-003)	22JAN'15	BW	SJ
B	RELEASED(RD-2016-017)	15JUN'16	CH	SJ
C	RELEASED(RD-2016-038)	25OCT'16	CH	SJ



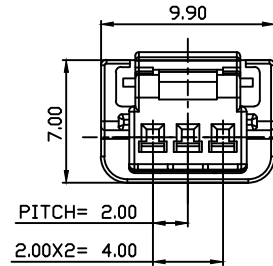
ISO VIEW



7.90



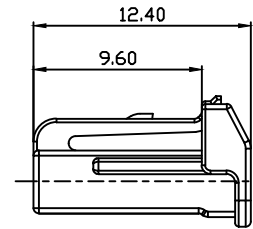
5.40



9.90

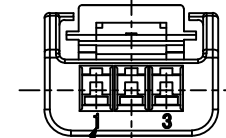
7.00

PITCH= 2.00
2.00X2= 4.00

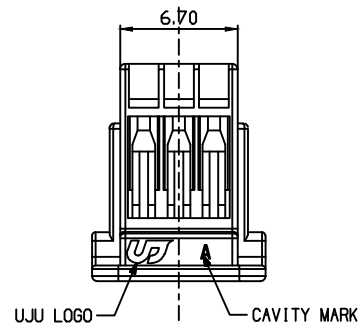


12.40

9.60



CIRCUIT NO.



6.70

UJU LOGO

CAVITY MARK

TABLE-1 ① ②

DESCRIPTION	P/N	Pos	MATERIAL/COLOR
020 3F HSG	KH1200015-70	3	PBT-GF10/GREEN
	KH1200015-40	3	PBT-GF10/BROWN
	KH1200015-20	3	PBT-GF10/BLACK
	KH1200015-10	3	PBT-GF10/NATURAL

TOLERANCES UNLESS OTHERWISE SPECIFIED	UNIT MM
0 ±0.1	THIRD ANGLE PROJECTION
0.05 ±0.05	
0.1 ±0.1	
0.2 ±0.2	
PRODUCT SPEC	APPLICATION SPEC

TABLE-2 ③ ④

DESCRIPTION	P/N	MATERIAL	WIRE SIZE (mm ²)
020 REC(L)	KH1200030-22	COPPER ALLOY	0.5
020 REC(M)	KH1200030-21	COPPER ALLOY	0.3 ~ 0.35

DRWN CH.PARK	(주)우주일렉트로닉스 UJU Electronics co.,Ltd.	020 3F HSG
CHKD CY.CHOI		
APVD S.J.SONG		
MATERIAL		
FINISH/COLOR	CUSTOMER DRAWING	DRAWING NO KH1200015
WEIGHT	LDC / RESTRICTED TO	SIZE SCALE SHEET REV
		A2 5/1 1 of 1 C

- NOTE
1. GENERAL TOLERANCE : ± 0.3, ± 3.0°
 2. HSG DESCRIPTION : SEE TABLE-1
 3. APPLICABLE RECEPTACLE : SEE TABLE-2