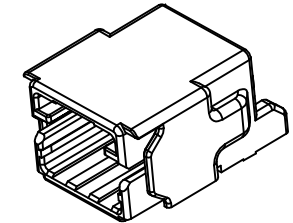
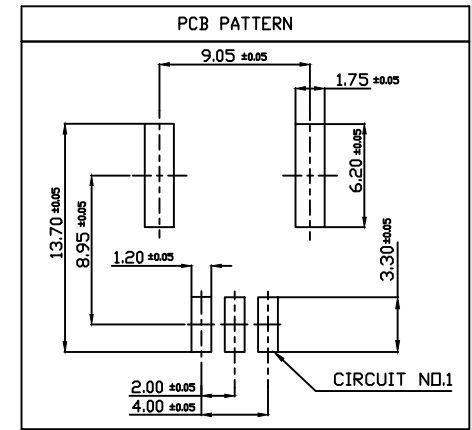
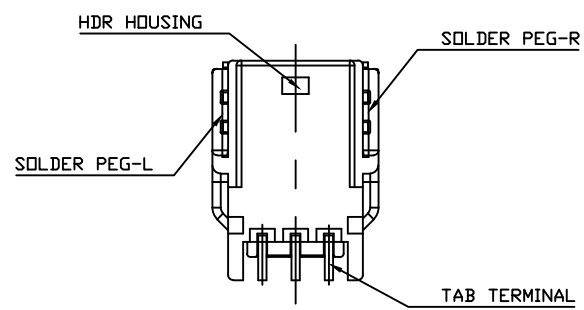
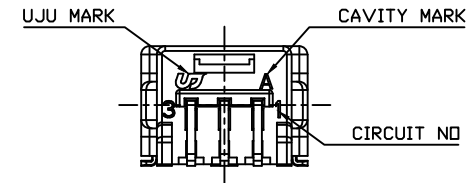
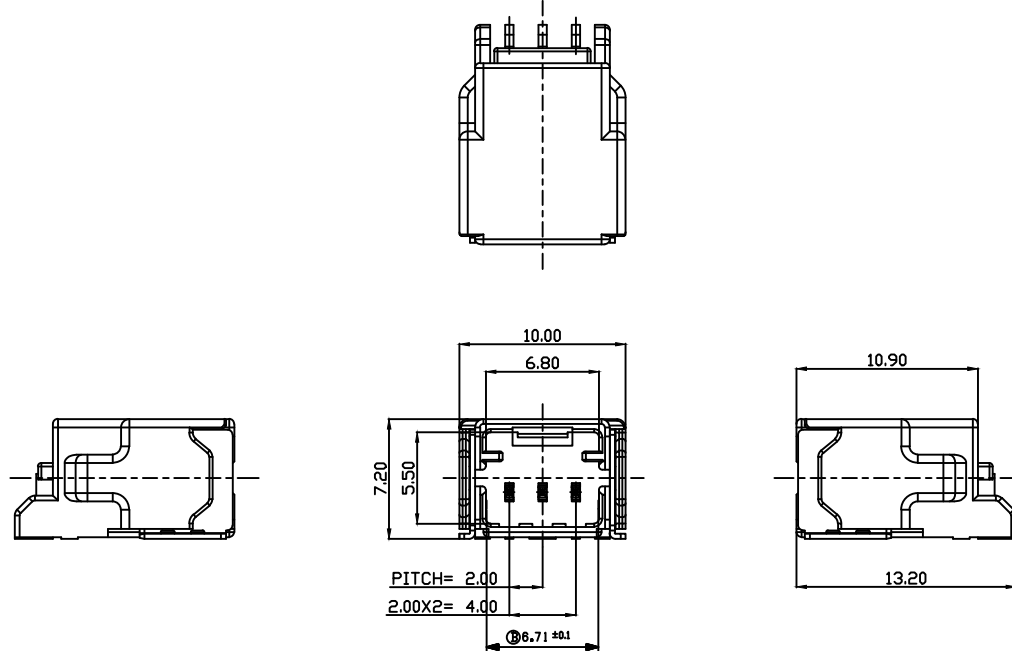


| REV | REVISION RECORD      | DATE      | DRWN | APVD |
|-----|----------------------|-----------|------|------|
| A   | RELEASED             | 22APR'13  | BW   | SJ   |
| B   | REVISED(KRD2015-022) | 08.JUN'15 | CH   | SJ   |



ISO VIEW



- NOTE
- GENERAL TOLERANCE : ±0.3, ±3.0°
  - HSG DESCRIPTION : SEE TABLE-1
  - MATERIAL
    - HDR HSG : LCP
    - SOLDER PEG : COPPER ALLOY (POST-TIN)
    - TAB TML : COPPER ALLOY (POST-TIN)

| DESCRIPTION              | P/N          | Pos | MATERIAL/COLOR |
|--------------------------|--------------|-----|----------------|
| 020 3M SMT HDR ASSY(HZT) | KH1200013-20 | 3   | LCP/BLACK      |
|                          | KH1200013-10 | 3   | LCP/NATURAL    |

|   |               |                                      |  |                                  |
|---|---------------|--------------------------------------|--|----------------------------------|
| TOLERANCES UNLESS OTHERWISE SPECIFIED<br>0.00 ±<br>0.00 ±<br>0.00 ±<br>ANGLES ± |               | UNIT<br>MM<br>THIRD ANGLE PROJECTION | DRWN<br>CH.PARK<br>CHK<br>YD.LEE<br>APVD<br>S.J.SUNG | NAME<br>020 3M SMT HDR ASSY(HZT) |
| PRODUCT SPEC  |               | APPLICATION SPEC                     | MATERIAL<br>SEE TABLE-1                              | CUSTOMER<br>SEE TABLE-1          |
| DRAWING<br>SEE TABLE-1  |               | WEIGHT                               | (주)우주 일렉트로닉스<br>UJU Electronics co.,Ltd.             |                                  |
| DATE<br>15.06.08  | RESTRICTED TO | SIZE<br>A2                           | SCALE<br>5/1   | SHEET<br>1 of 2                  |
|   |               |                                      | REV<br>B   |                                  |