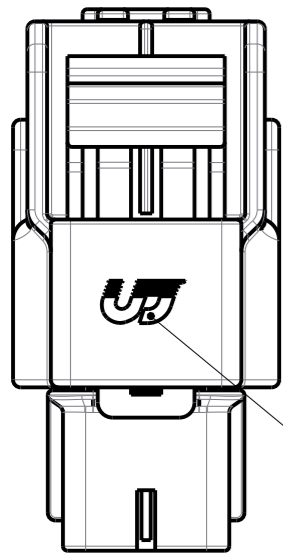
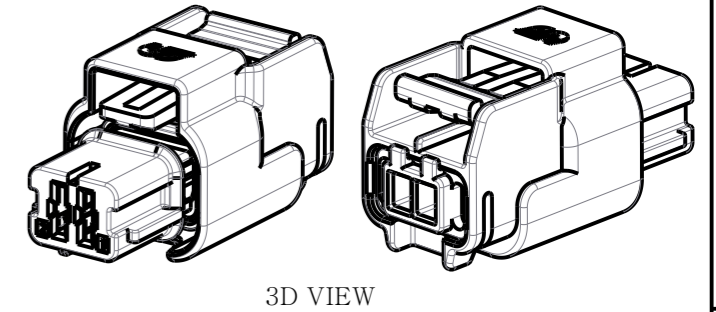
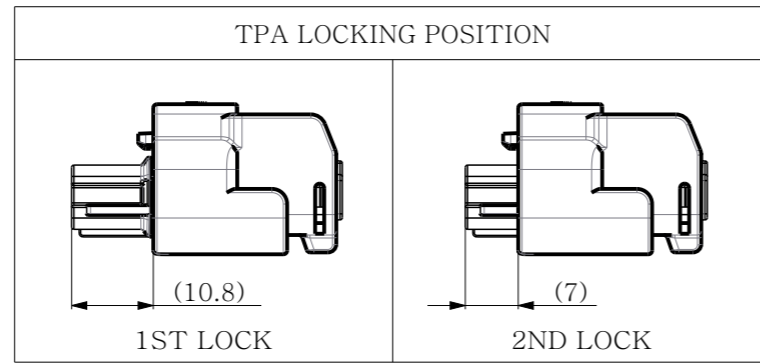


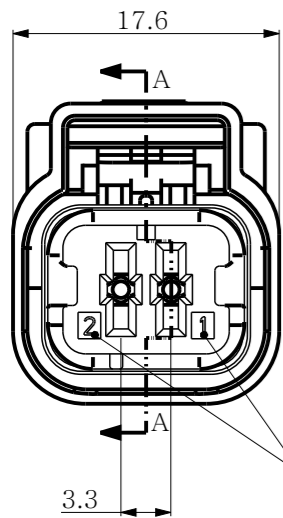
REV	REVISION RECORD	DATE	DRWN	APVD
A	RELEASED	03DEC'13	CH	SJ



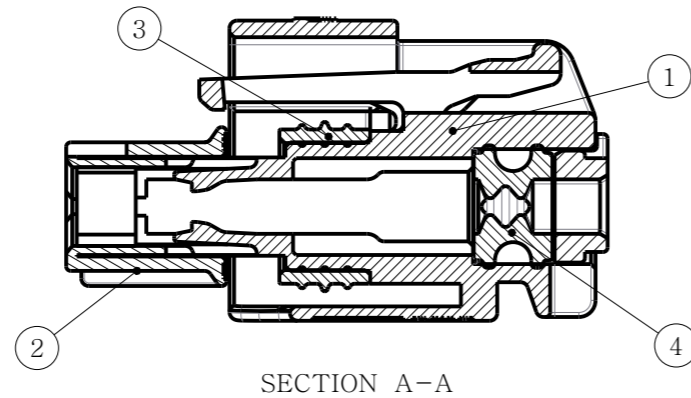
UJU LOGO



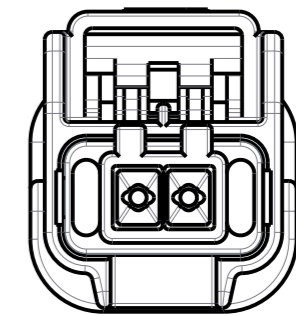
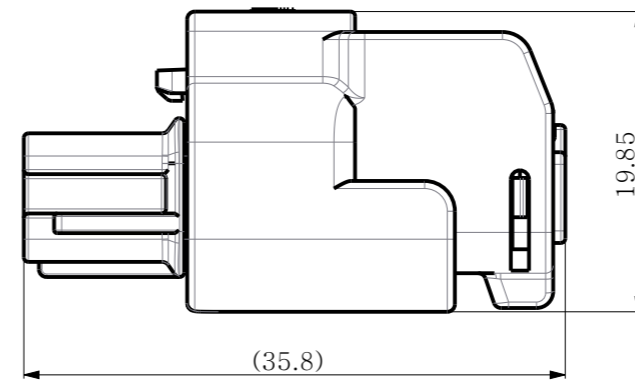
3D VIEW



CIRCUIT NO.

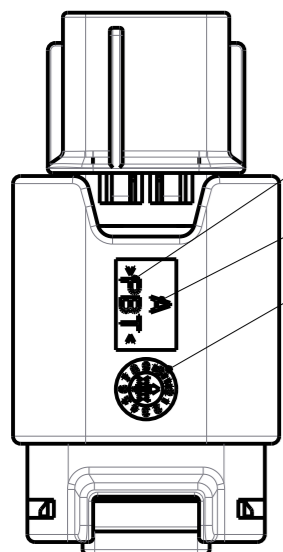


SECTION A-A



<TABLE 1>

CONTACT	FCI SICMA-2	TYCO PLAT 1.50mm	FCI SICMA-3
P/N	211CC2S1120	929027-1	211CC2S2160P
WIRE SIZE(mm ²)	0.35~0.75	0.5~1.0	1.0~2.0



RECYCLE MARK

CAVITY MARK

DATE CODE

CODE A	CODE B
2.4	3.8
KH1200001-70	KH1200001-40

- NOTE
- General Tolerance : $\pm 0.3, \pm 3^\circ$
 - Delivery Condition : TPA 1st Lock Position
 - Applicable Female Terminal : <TABLE 1>

NO	DESCRIPTION	MATERIAL	COLOR	Q'TY	ASSY P/N	DESCRIPTION	REV
4	060 SLD 2F Block Seal	SILICONE	RED	1	1	060 SLD 2F ASSY (GREEN)	A
3	060 SLD 2F Inner Seal	SILICONE	RED	1	1	060 SLD 2F ASSY (BROWN)	A
2	060 SLD 2F TPA HSG	PBT	GREEN	1	-		
			BROWN	-	1		
1	060 SLD 2F HSG	PBT	GREEN	1	-		
			BROWN	-	1		

DRWN CH.PARK	(주)우주일렉트로닉스 UJU Electronics co.,Ltd.		
CHKD YD.LEE			
APVD SJ.SONG	NAME		
MATERIAL	060 SLD 2F ASSY		
SEE TABLE	CUSTOMER	DRAWING NO	
FINISH/COLOR	KH1200001		
SEE TABLE	DRAWING	SIZE	SCALE
WEIGHT	RESTRICTED TO	A3	2/1
PRODUCT SPEC		LOC	SHEET
APPLICATION SPEC		1	REV
		A	