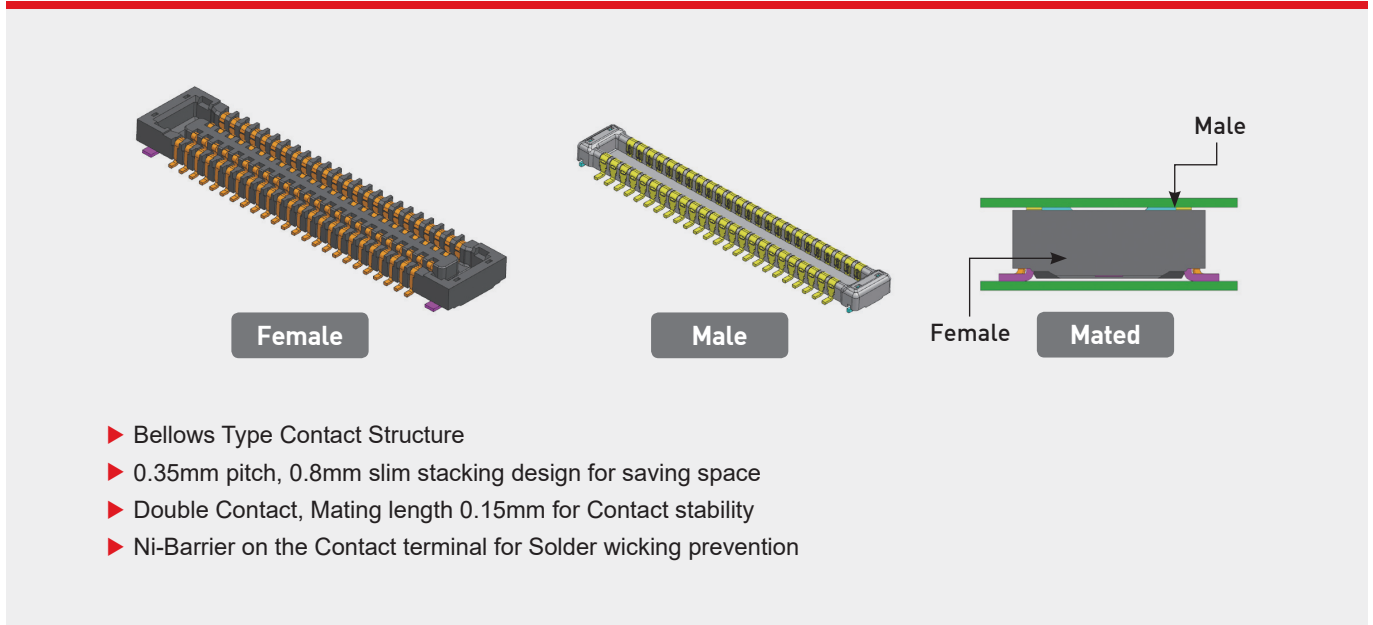


Board To Board Connector

BR1

Applications | Smart Phone, Smart Watch, Tablet PC, Mobile Devices, Wearable Devices



Code & Specification

Mating Size / Unit : (mm)

Product Code	Pitch (mm)	No. of Contacts	Width (mm)	Height (mm)	Length	Remark
BF035-V24B-C08	0.35	24	2.40	0.80	6.45	Receptacle
BM035-V24B-C08	0.35	24	2.40	0.80	6.45	Plug
BF035-V34B-C08	0.35	34	2.40	0.80	8.20	Receptacle
BM035-V34B-C08	0.35	34	2.40	0.80	8.20	Plug
BF035-V48B-C08	0.35	48	2.40	0.80	10.65	Receptacle
BM035-V48B-C08	0.35	48	2.40	0.80	10.65	Plug
BF035-V60B-C08	0.35	60	2.40	0.80	12.75	Receptacle
BM035-V60B-C08	0.35	60	2.40	0.80	12.75	Plug

Rated Current	Contact Resistance	Withstanding voltage	Temperature Range
0.3A	50mΩ [Max.]	250V AC (RMS)	-35°C ~ 85°C

Board To Board Connector

BR1
Applications | Smart Phone, Smart Watch, Tablet PC, Mobile Devices, Wearable Devices

Product Specification

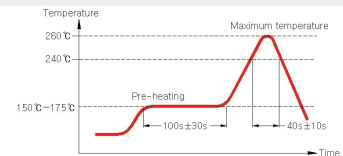
Ratings	Rated current	0.3A	Operating temperature range	-35°C to +85°C 1	Storage temperature range	+15°C to +35 °C
	Rated voltage	30V AC(RMS) / DC	Operating humidity range	70%RH Max.2	Storage humidity range	65%RH Max. 2

1) Including terminal temperature rise.

2) Storage area is to be free of corrosive gases and dew formation.

Items	Specifications	Conditions
1. Contact resistance	50mΩ [Max.]	- Open circuit voltage: 20mV (AC) - Test current: 1mA.
2. Insulation resistance	50mΩ [Min.]	250V DC
3. Withstanding voltage	No flashover or dielectric breakdown	250V AC(RMS) for 1minute
4. Insertion force / Separation force	1) Insertion force : 5.0kgf [Max.] 2) Separation force : 0.012kgf/Pin [Min]	Insert and withdraw connectors at the speed rate of 25mm per minute.
5. Durability	Contact resistance : 90mΩ [Max.]	When mated up to 30 cycles repeatedly by the rate of 10mm per minute
6. Vibration	1) Discontinuity : 1.0 microsec. [Max.] 2) Contact resistance : 90mΩ [Max.]	- Vibration frequency range : 10~55Hz - Total amplitude : 1.5mm - Sweep ration : 10-55-10Hz/Min - Duration : 2h each (6h in total)
7. Shock	1) Discontinuity : 1.0 microsec. [Max.] 2) Contact resistance : 90mΩ [Max.]	- Acceleration : 50G (490□) - Duration : 11ms - Number of shocks : 3 times per each direction - Test current : 100mA
8. Humidity	1) Contact resistance : 90mΩ [Max.] 2) Insulation resistance : 25mΩ [Min.]	- Temperature : 40°C±2°C - Relative humidity : 90% RH to 95% RH - Duration : 96hr

9. Solder heat resistance No loose contacts no deformation.

 Reflow condition.
(Refer to Reflow)


Materials / Finish

Part	Materials	Finish	UL Regulation
Female Base	LCP	Black	UL94V-0
Female Terminal	Copper Alloy	Au, Ni plated	-
Female Fitting Nail	Phosphor Bronze	Sn, Ni plated	-
Male Base	LCP	Black	UL94V-0
Male Terminal	Phosphor Bronze	Au, Ni plated	-
Male Fitting Nail	Phosphor Bronze	Sn, Ni plated	-

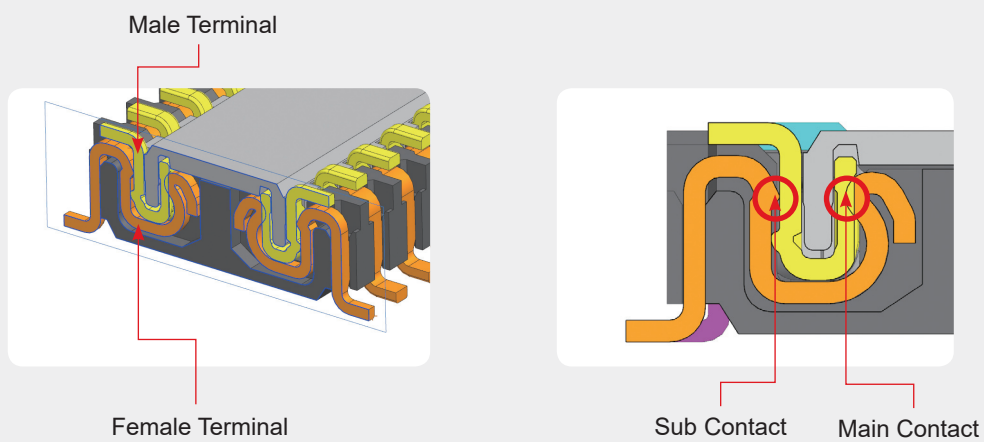
Board To Board Connector

BR1

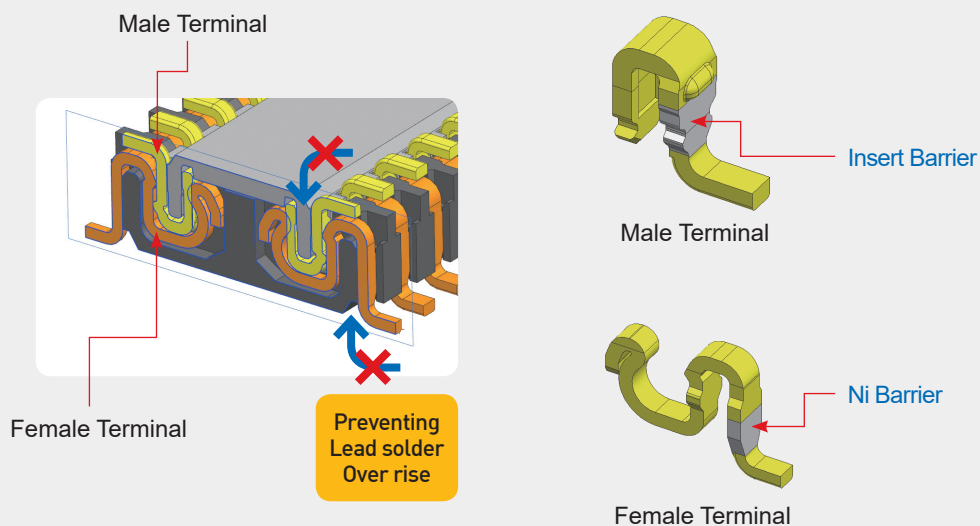
Applications | Smart Phone, Smart Watch, Tablet PC, Mobile Devices, Wearable Devices

FEATURES AND ADVANTAGES

- Double Contact point for stable contact preservation



- Ni Barrier for preventing Lead solder over rise

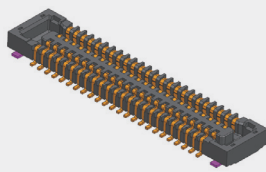
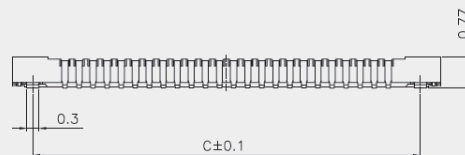
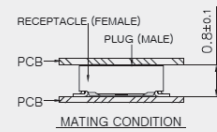
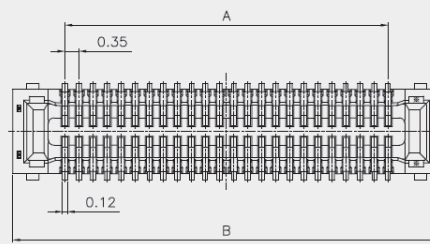


Board To Board Connector

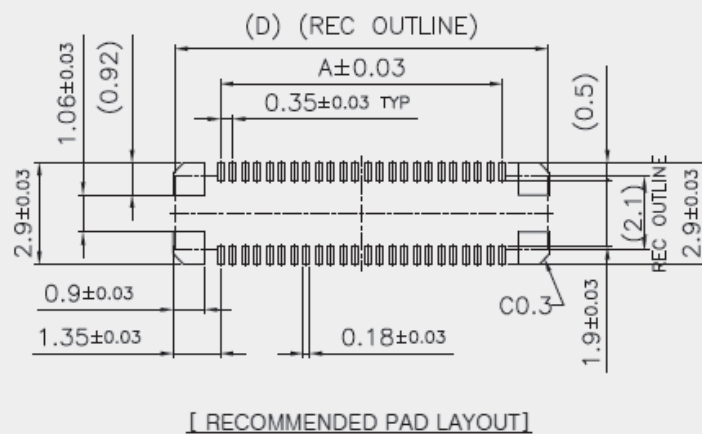
BR1
Applications | Smart Phone, Smart Watch, Tablet PC, Mobile Devices, Wearable Devices

TYPE : RECEPTACLE (FEMALE)

Product Drawing


Female (Receptacle)


Recommended PCB , Metal Mask Layout



Mating Size / Unit : (mm)

Product No.	No. of Contacts	A	B	C	D
BF035-V24B-C08	24	3.85	6.45	5.45	6.45
BF035-V34B-C08	34	5.60	8.20	7.20	8.20
BF035-V48B-C08	48	8.05	10.65	9.65	10.65
BF035-V60B-C08	60	10.15	12.75	11.75	12.75

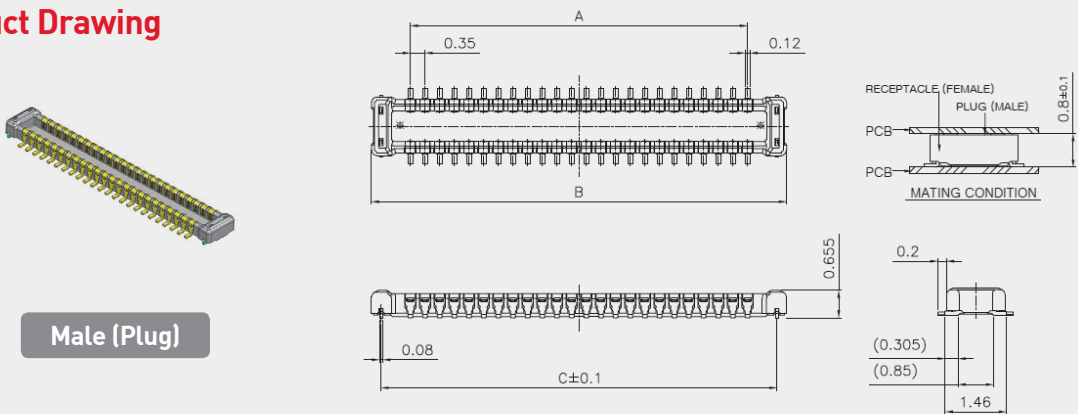
Board To Board Connector



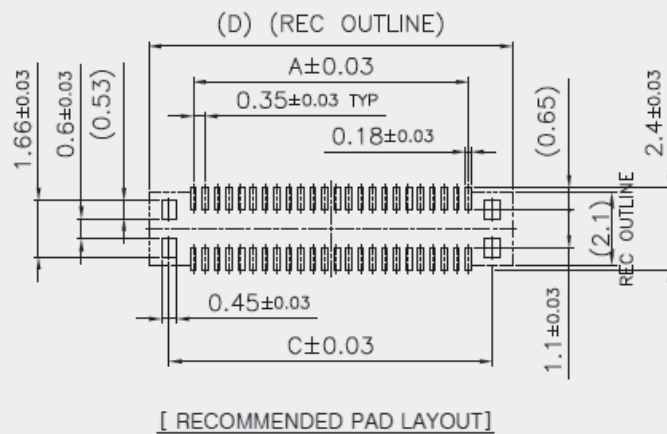
Applications | Smart Phone, Smart Watch, Tablet PC, Mobile Devices, Wearable Devices

TYPE : PLUG (MALE)

Product Drawing



Recommended PCB , Metal Mask Layout



Mating Size / Unit : (mm)

Product No.	No. of Contacts	A	B	C	D
BM035-V24B-C08	24	3.85	5.71	5.25	6.45
BM035-V34B-C08	34	5.60	7.46	7.00	8.20
BM035-V48B-C08	48	8.05	9.91	9.45	10.65
BM035-V60B-C08	60	10.15	12.01	11.55	12.75