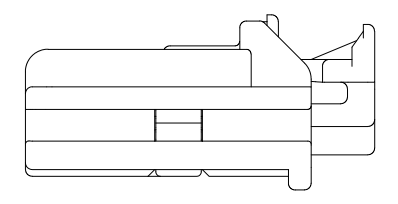
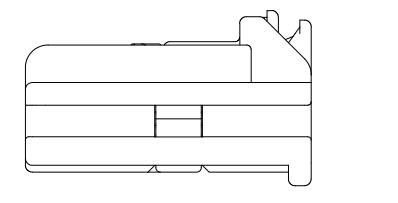


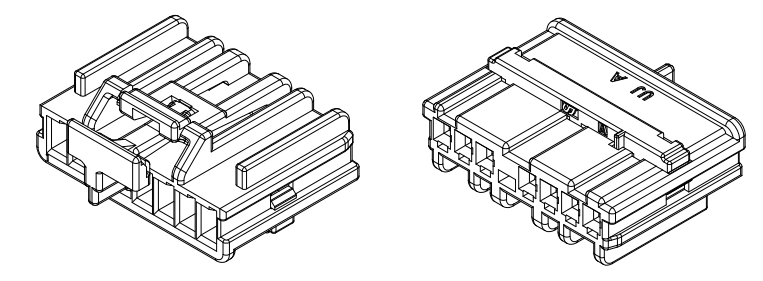
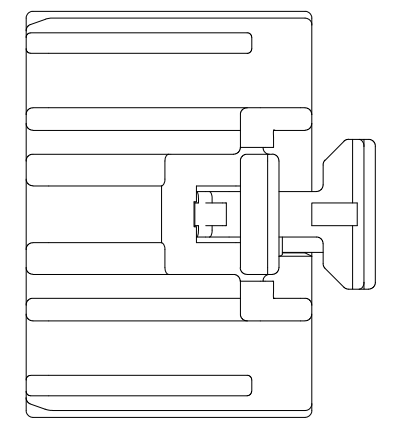
REV	REVISION RECORD	DATE	DRWN	CHKD	APVD
A	RELEASED (RD-2020-160)	03 DEC '20	JK	KH	CY



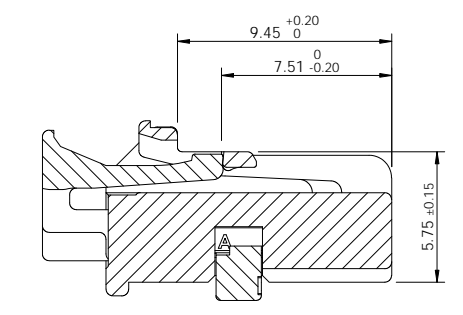
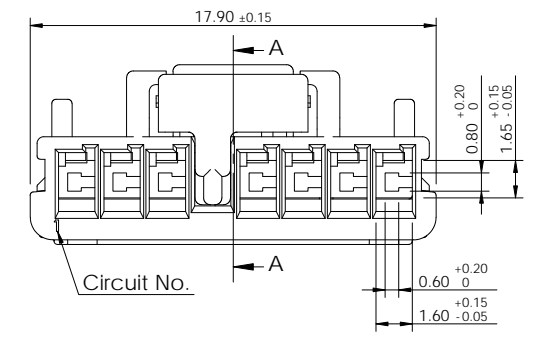
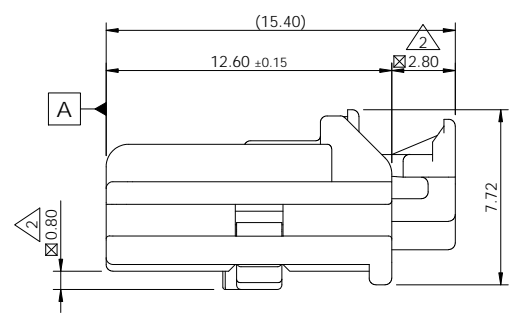
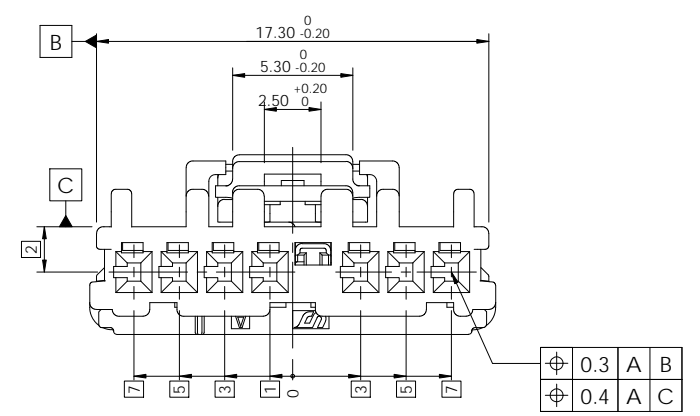
TPA 2nd. lock position



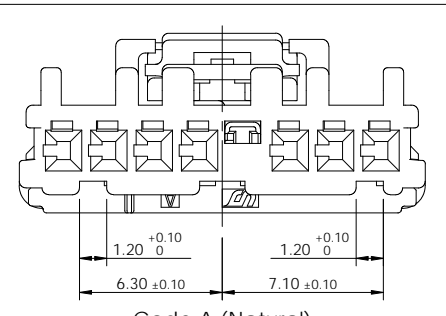
CPA 2nd. lock position



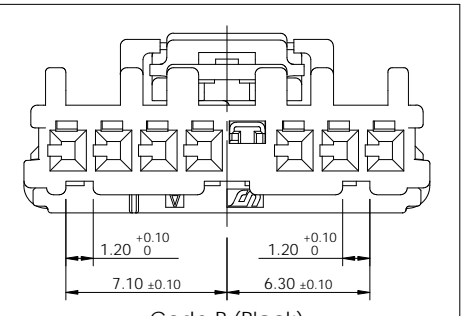
3D View



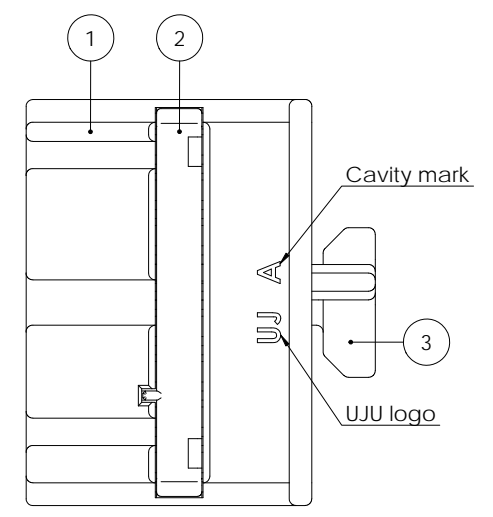
Section A-A



Code A (Natural)



Code B (Black)



-Note-

- General tolerance : Refer to DIN 16742 TG6 specification.
- Delivery condition : TPA/CPA 1st. lock position
- Burr Max.0.3
- No crack
- All letters shall be clear and legible.
- Packing : Tray
- Flammability : UL94-V0
- Applicable receptacle : KH1710007 (020_D_F_TML_G)
- Material : Copper alloy
- Wire size : 0.3mm² ~ 0.5mm²
- Matching part
- KH1910040 (020_D_C_SMT_7M_H_ASSY_G)
- KH1910061 (020_D_C_SMT_7M_V_ASSY_G)
- Avoid matching part
- KH1810101 (020_D_SMT_8M_H_ASSY_G)
- KH1810091 (020_D_SMT_8M_V_ASSY_G)

On request, development is scheduled.

Code C (Brown)

On request, development is scheduled.

Code D (Blue)

Code	Part No.	Description
D		020_D_C_7F_ASSY_BL_G
C		020_D_C_7F_ASSY_BR_G
B		020_D_C_7F_ASSY_BK_G
A		020_D_C_7F_ASSY_NR_G

No.	Description	Material	Finish / Color	Q'ty
3	020_D_C_3F_CPA_RE	PBT-GF30	Red	1 1 1 1
2	020_D_C_7F_TPA_GR	PBT-GF30	Gray	1 1 1 1
1	020_D_C_7F_HSG_BL	PBT-GF30	Blue	1 - - -
	020_D_C_7F_HSG_BR	PBT-GF30	Brown	- 1 - -
	020_D_C_7F_HSG_BK	PBT-GF30	Black	- - 1 -
	020_D_C_7F_HSG_NR	PBT-GF30	Natural	- - - 1

DRWN JK. HWANG	CHKD KH. PARK	APVD CY. CHOI	NAME 020_D_C_7F_ASSY_G			
MATERIAL SEE TABLE			CUSTOMER DRAWING KH1910021			
FINISH/COLOR SEE TABLE			LOC	RESTRICTED TO	SIZE A3	SCALE 3:1
WEIGHT			SHEET 1 of 1	REV A		

TOLERANCES UNLESS OTHERWISE SPECIFIED	UNIT MM	THIRD ANGLE PROJECTION
0 ±		
0.0 ±		
0.00 ±		
0.000 ±		
0.0000 ±		
ANGLES ±		
PRODUCT SPEC	APPLICATION SPEC	