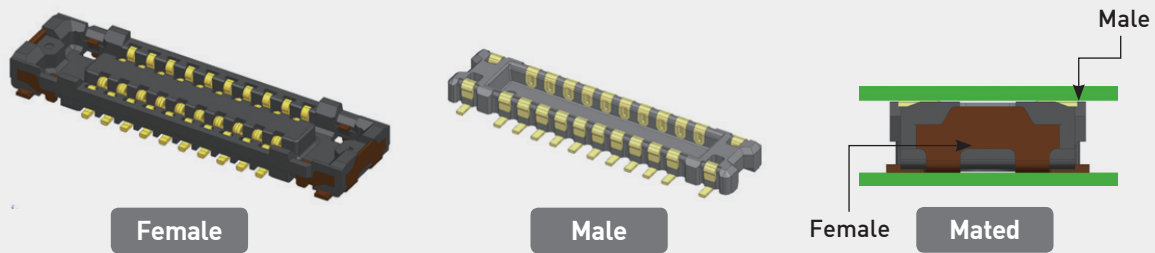


Board To Board Connector

BR5

Applications | Smart Phone, Smart Watch, Tablet PC, Mobile Devices, Wearable Devices



- ▶ For contact stability, Double Contact and Bellows Type Contact Structure.
- ▶ 0.35mm pitch, 0.6mm slim stacking design for saving space.
- ▶ Male Terminal / Female Fitting Nail Insert Structure.

Code & Specification

Mating Size / Unit : (mm)

Product Code	Pitch (mm)	No. of Contacts	Width (mm)	Height (mm)	Length	Remark
BF035-I06B-C06-B	0.35	6	1.70	0.60	3.55	Receptacle
BM035-I06B-C06-B	0.35	6	1.70	0.60	3.55	Plug
BF035-I10B-C06-B	0.35	10	1.70	0.60	4.25	Receptacle
BM035-I10B-C06-B	0.35	10	1.70	0.60	4.25	Plug
BF035-I20B-C06-B	0.35	20	1.70	0.60	6.00	Receptacle
BM035-I20B-C06-B	0.35	20	1.70	0.60	6.00	Plug

Rated Current	Contact Resistance	Withstanding voltage	Temperature Range
0.3A	90mΩ [Max.]	150V AC(RMS)	-35°C ~ 85°C

Board To Board Connector

BR5
Applications | Smart Phone, Smart Watch, Tablet PC, Mobile Devices, Wearable Devices

Product Specification

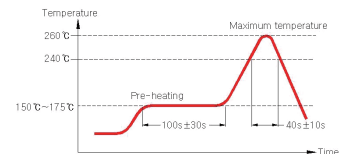
Ratings	Rated current	0.30A	Operating temperature range	-35°C to +85°C 1	Storage temperature range	+15°C to +35 °C
	Rated voltage	30V AC(RMS) / DC	Operating humidity range	70%RH Max.2	Storage humidity range	65%RH Max. 2

- 1) Including terminal temperature rise.
- 2) Storage area is to be free of corrosive gases and dew formation.

Items	Specifications	Conditions
1. Contact resistance	90mΩ [Max.]	- Open circuit voltage: 20mV (AC) - Test current: 1mA.
2. Insulation resistance	50mΩ [Min.]	250V DC
3. Withstanding voltage	No flashover or dielectric breakdown	250V AC(RMS) for 1minute
4. Insertion force / Separation force	1) Insertion force : 5.0kgf [Max.] 2) Separation force : 0.012kgf/Pin [Min]	Insert and withdraw connectors at the speed rate of 25mm per minute.
5. Durability	1) Contact resistance : 90mΩ [Max.]	When mated up to 30 cycles repeatedly by the rate of 10mm per minute
6. Vibration	1) Contact resistance : 90mΩ [Max.]	- Vibration frequency range : 10~55Hz - Total amplitude : 1.5mm - Sweep ration : 10-55-10Hz/Min - Duration : 2h each (6h in total)
7. Salt spray	1) Contact resistance : 90mΩ [Max.] 2) Insulation resistance : 25MΩ [Min.] 3) No flashover or dielectric breakdown	- Temperature : 35°C±2°C - Duration : 48hr - Salt-solution concentration : 5 ±1%
8. Humidity	1) Contact resistance - Signal : 90mΩ [Max.] - Power : 50mΩ [Max.] 2) Insulation resistance : 25MΩ [Min.]	- Temperature : 40°C±2°C - Relative humidity : 90% RH to 95% RH - Duration : 96hr

9. Solder heat resistance No loose contacts no deformation.

Reflow condition.
(Refer to Reflow)



Materials / Finish

Part	Materials	Finish	UL Regulation
Female Base	LCP	Black	UL94V-0
Female Terminal	Phosphor Bronze	Au, Ni plated	-
Female Fitting Nail	Phosphor Bronze	Au, Ni plated	-
Male Base	LCP	Black	UL94V-0
Male Terminal	Phosphor Bronze	Au, Ni plated	-
Male Fitting Nail	Phosphor Bronze	Au, Ni plated	-

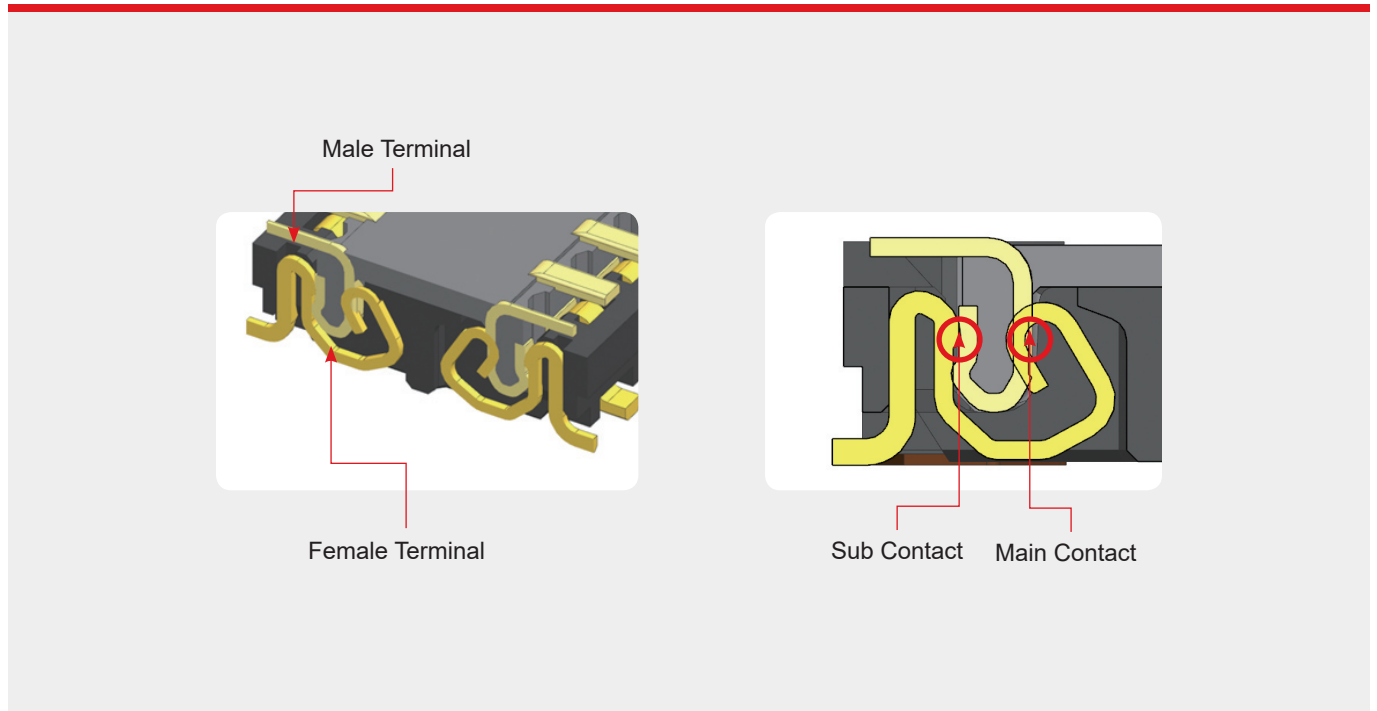
Board To Board Connector

BR5

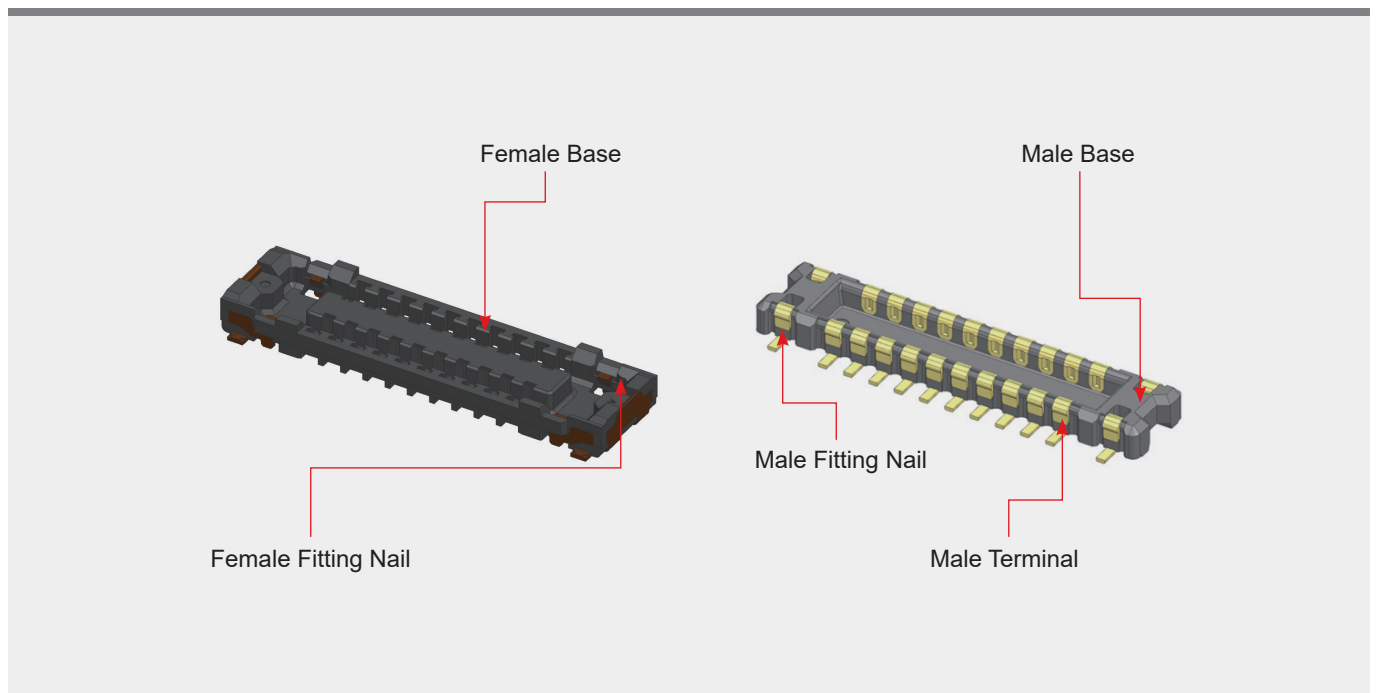
Applications | Smart Phone, Smart Watch, Tablet PC, Mobile Devices, Wearable Devices

FEATURES AND ADVANTAGES

- ▶ Double Contact point for stable contact preservation



- ▶ Insert mold Structure

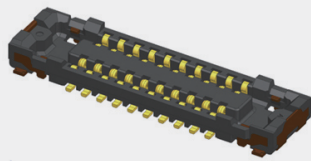
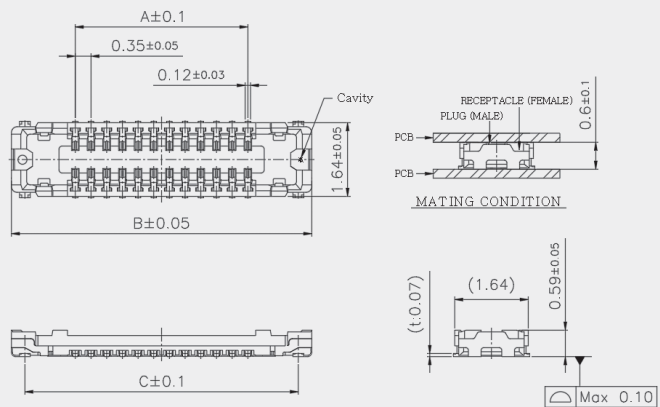


Board To Board Connector

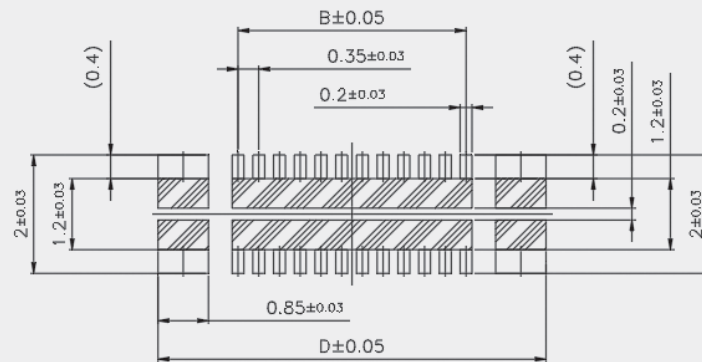
BR5
Applications | Smart Phone, Smart Watch, Tablet PC, Mobile Devices, Wearable Devices

TYPE : RECEPTACLE (FEMALE)

Product Drawing


Female (Receptacle)


Recommended PCB , Metal Mask Layout



: INSULATION AREA

【 APPLICABLE P.C.B DIMENSION 】

Mating Size / Unit : (mm)

Product No.	No. of Contacts	A	B	C	D
BF035-I06B-C06-B	6	0.70	3.55	2.95	3.40
BF035-I10B-C06-B	10	1.40	4.25	3.65	4.10
BF035-I20B-C06-B	20	3.15	6.00	5.40	5.85

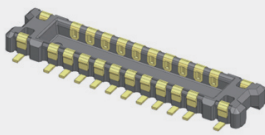
Board To Board Connector

BR5

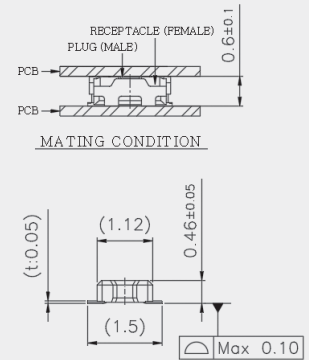
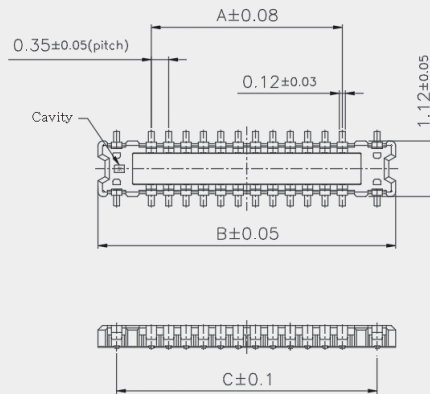
Applications | Smart Phone, Smart Watch, Tablet PC, Mobile Devices, Wearable Devices

TYPE : PLUG (MALE)

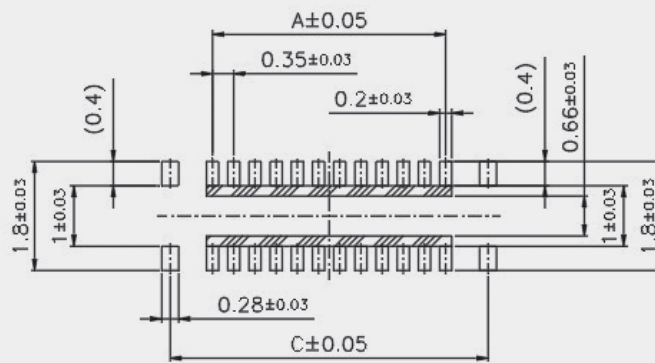
Product Drawing



Male (Plug)



Recommended PCB , Metal Mask Layout



▨ : INSULATION AREA

【 APPLICABLE P.C.B DIMENSION 】

Mating Size / Unit : (mm)

Product No.	No. of Contacts	A	B	C
BM035-I06B-C06-B	6	0.70	2.85	2.10
BM035-I10B-C06-B	10	1.40	3.55	2.80
BM035-I20B-C06-B	20	3.15	5.30	4.55