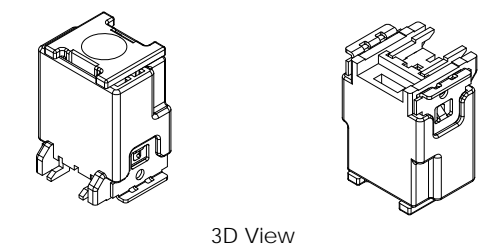
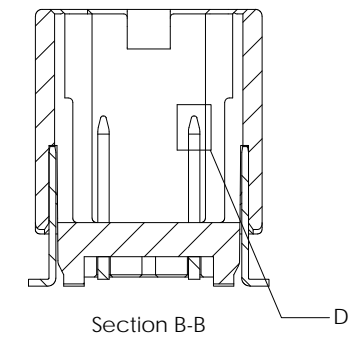
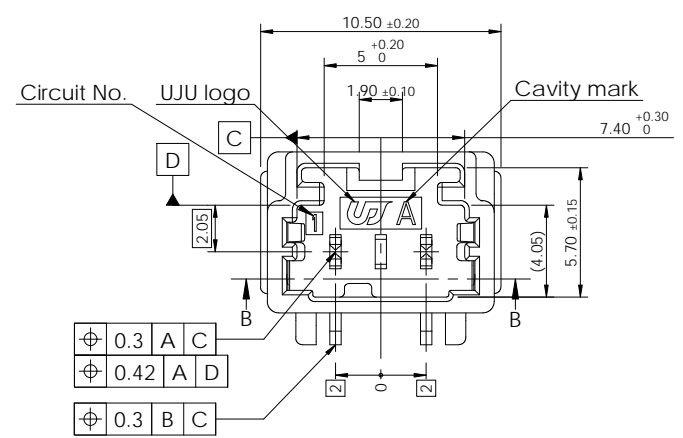
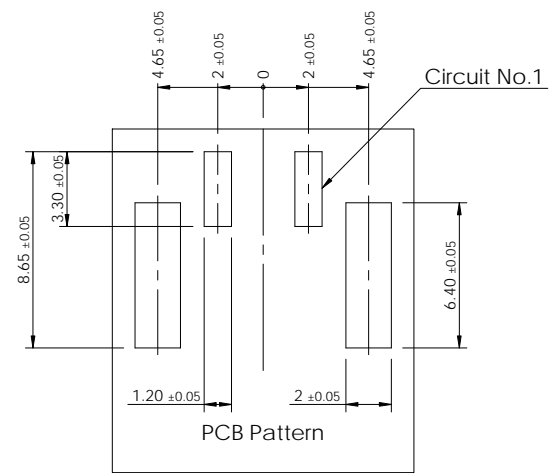
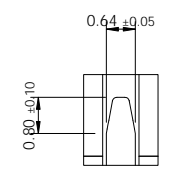


| REV | REVISION RECORD        | DATE       | DRWN | CHKD | APVD |
|-----|------------------------|------------|------|------|------|
| A   | RELEASED (RD-2022-113) | 05 SEP '22 | JK   | SJ   | CY   |

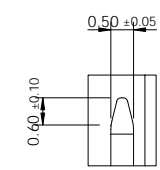


3D View

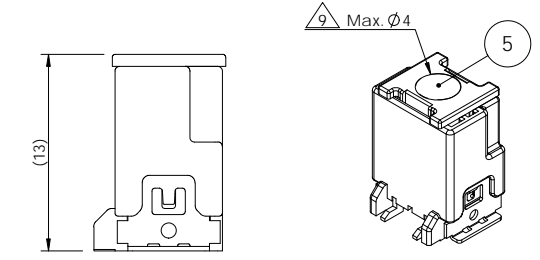
|        |   |   |
|--------|---|---|
| ∅ 0.3  | A | C |
| ∅ 0.42 | A | D |
| ∅ 0.3  | B | C |



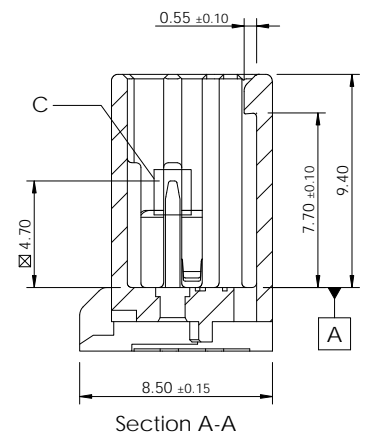
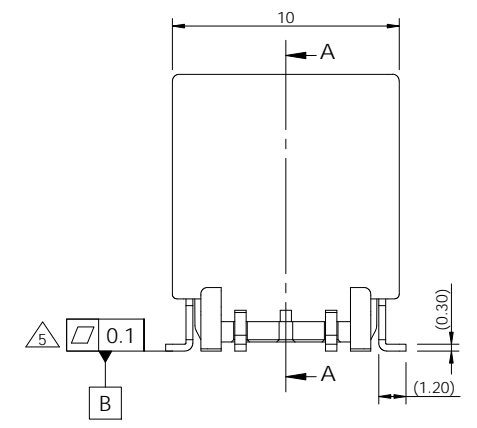
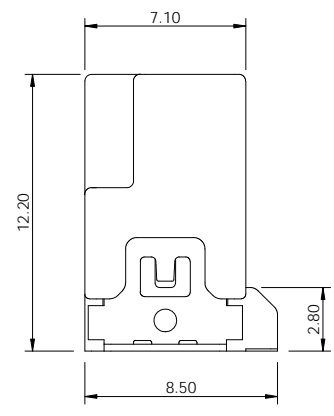
Detail C  
Scale 6 : 1



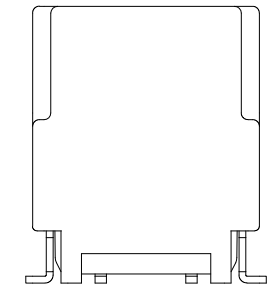
Detail D  
Scale 6 : 1



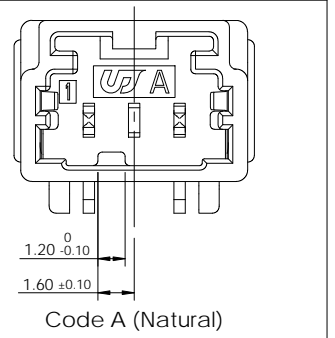
Delivery condition (Cover assembly)



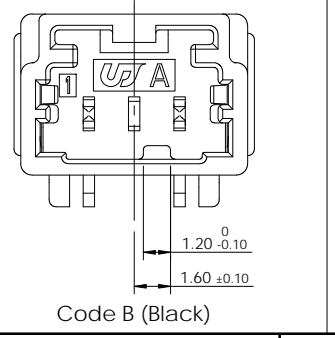
Section A-A



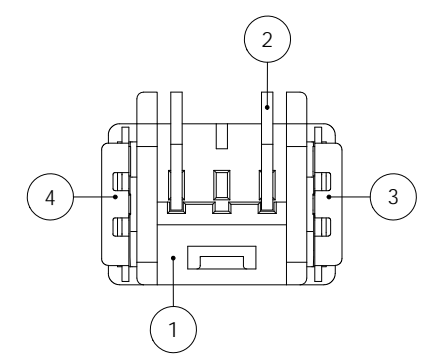
| Description                   | Part No.     | Code |
|-------------------------------|--------------|------|
| 020_D_C_SMT_2M_V_ASSY_BK_Au_G | KH2110132-21 | B    |
| 020_D_C_SMT_2M_V_ASSY_NR_Au_G | KH2110132-10 | A    |



Code A (Natural)



Code B (Black)



-Note-

- General tolerance : Refer to DIN 16742 TG5 specification.
- Burr Max.0.3
- No crack
- All letters shall be clear and legible.
- Measuring the demensions of Tab TML and Solder Peg.
- Finish Tab TML and Solder Peg
  - Sn plating 2.5~4.0 $\mu$ m (matte) over Ni 1.0~2.0 $\mu$ m
  - Au plating Min. 0.38 $\mu$ m
- Packing : Emboss tape
- Flammability : UL94-HB
- Vacum grip area free of burr and fector pins, Max.∅4.0
- Matching part
  - KH1910009 (020\_D\_C\_2F\_ASSY\_G)

| No. | Description              | Material     | Finish / Color | Q'ty |
|-----|--------------------------|--------------|----------------|------|
| 5   | 020_D_SMT_Cover_BK       | LCP (E471i)  | Black          | 1 1  |
| 4   | 020 SMT Solder Peg VTC-L | Copper alloy | Post-Sn        | 1 1  |
| 3   | 020 SMT Solder Peg VTC-R | Copper alloy | Post-Sn        | 1 1  |
| 2   | 020 SMT Tab TML VTC      | Copper alloy | Post-Au/Sn     | 2 2  |
| 1   | 020_D_SMT_3M_V_HSG_BK    | PA9T-GF30    | Black          | 1 -  |
|     | 020_D_SMT_3M_V_HSG_NR    | PA9T-GF30    | Natural        | - 1  |

|                                       |                      |
|---------------------------------------|----------------------|
| TOLERANCES UNLESS OTHERWISE SPECIFIED | UNIT<br>MM           |
| 0 ±                                   | THD ANGLE PROJECTION |
| 0.0 ±                                 |                      |
| 0.00 ±                                |                      |
| 0.000 ±                               |                      |
| 0.0000 ±                              |                      |
| ANGLES ±                              |                      |
| PRODUCT SPEC                          | APPLICATION SPEC     |

|                        |  |                  |
|------------------------|--|------------------|
| DRWN JK. HWANG         | <br>(주)우주 일렉트로닉스<br>UJU Electronics co.,Ltd. |                  |
| CHKD SJ. LEE           |  |                  |
| APVD CY. CHOI          | NAME<br>020_D_C_SMT_2M_V_ASSY_Au_G           |                  |
| MATERIAL SEE TABLE     | CUSTOMER DRAWING<br>KH2110132                |                  |
| FINISH/COLOR SEE TABLE | LOC RESTRICTED TO                            | SIZE SCALE SHEET |
| WEIGHT                 | A3   | 3:1 1 of 1       |
|                        |  | REV<br>A         |