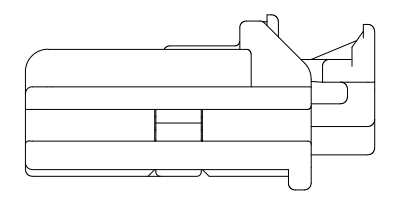
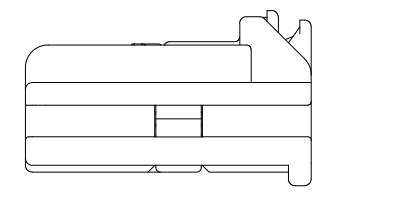


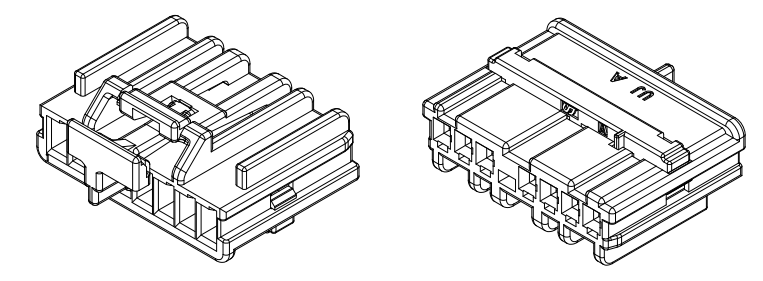
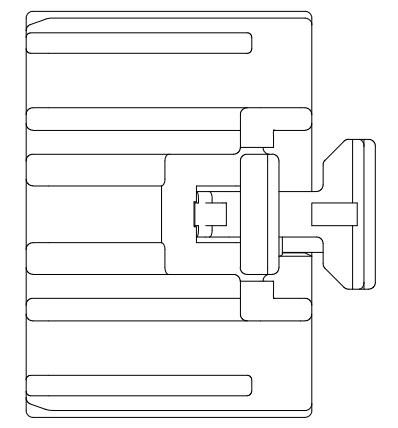
REV	REVISION RECORD	DATE	DRWN	CHKD	APVD
A	RELEASED (RD-2020-160)	03 DEC '20	JK	KH	CY



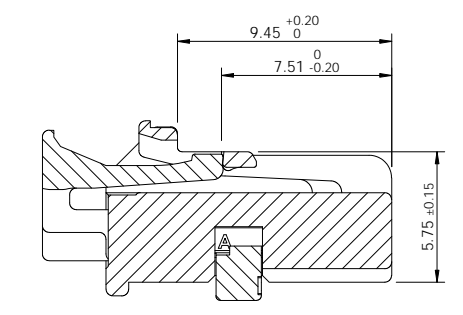
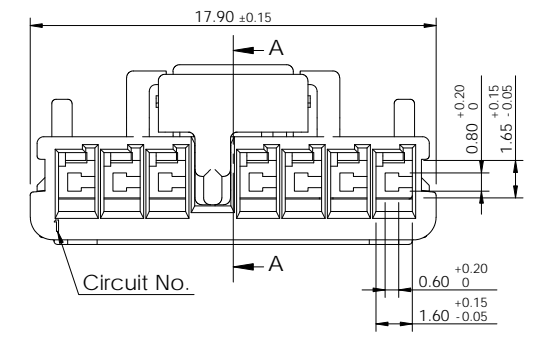
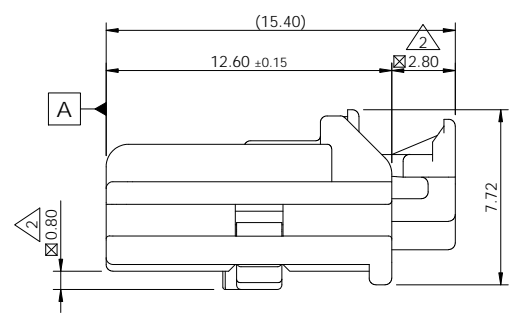
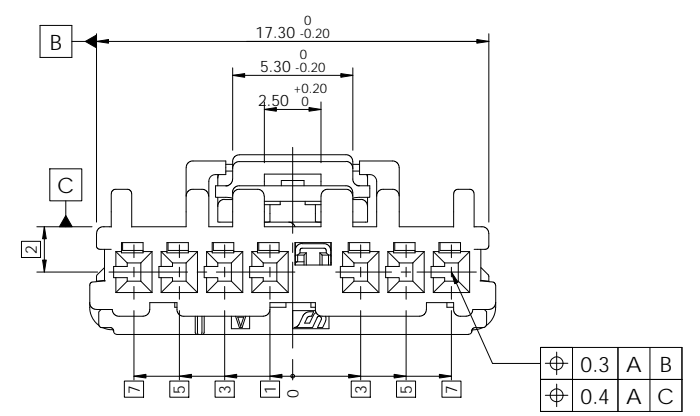
TPA 2nd. lock position



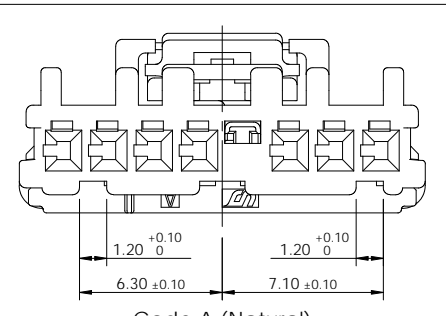
CPA 2nd. lock position



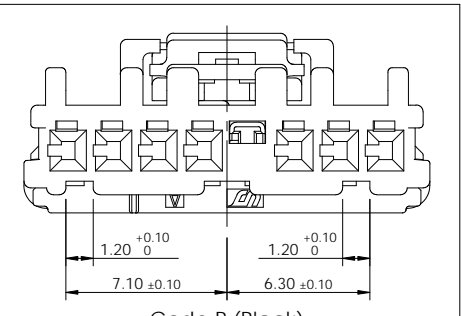
3D View



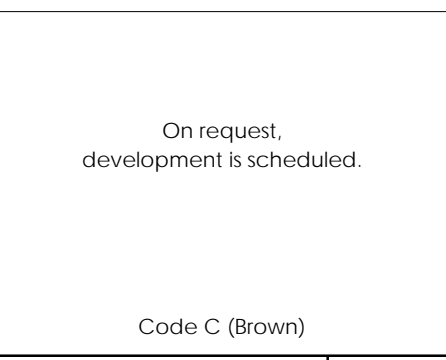
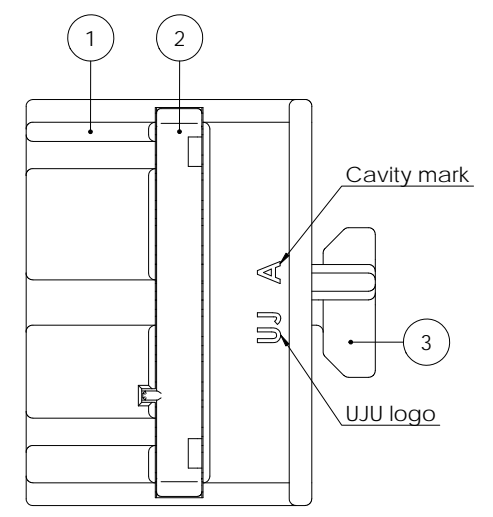
Section A-A



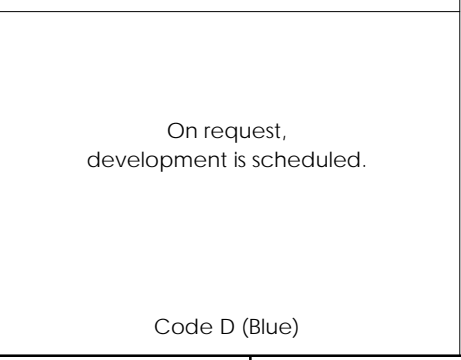
Code A (Natural)



Code B (Black)



Code C (Brown)



Code D (Blue)

On request, development is scheduled.

On request, development is scheduled.

-Note-

- General tolerance : Refer to DIN 16742 TG6 specification.
- Delivery condition : TPA/CPA 1st. lock position
- Burr Max.0.3
- No crack
- All letters shall be clear and legible.
- Packing : Tray
- Flammability : UL94-V0
- Applicable receptacle : KH1700007 (020_D_F_TML)
 - Material : Copper alloy
 - Wire size : 0.3mm² ~ 0.5mm²
- Matching part
 - KH1900040 (020_D_C_SMT_7M_H_ASSY)
 - KH1900061 (020_D_C_SMT_7M_V_ASSY)
- Avoid matching part
 - KH1800101 (020_D_SMT_8M_H_ASSY)
 - KH1800091 (020_D_SMT_8M_V_ASSY)

Code	Part No.	Description
D		020_D_C_7F_ASSY_BL
C		020_D_C_7F_ASSY_BR
B		020_D_C_7F_ASSY_BK
A		020_D_C_7F_ASSY_NR

No.	Description	Material	Finish / Color	Q'ty
3	020_D_C_3F_CPA_RE	PBT-GF30	Red	1 1 1 1
2	020_D_C_7F_TPA_GR	PBT-GF30	Gray	1 1 1 1
1	020_D_C_7F_HSG_BL	PBT-GF30	Blue	1 - - -
	020_D_C_7F_HSG_BR	PBT-GF30	Brown	- 1 - -
	020_D_C_7F_HSG_BK	PBT-GF30	Black	- - 1 -
	020_D_C_7F_HSG_NR	PBT-GF30	Natural	- - - 1

DRWN JK. HWANG	CHKD KH. PARK	APVD CY. CHOI	NAME 020_D_C_7F_ASSY			
MATERIAL SEE TABLE			CUSTOMER DRAWING KH1900021			
FINISH/COLOR SEE TABLE			DRAWING NO. KH1900021		SHEET 1 of 1	
PRODUCT SPEC		APPLICATION SPEC		LOC	RESTRICTED TO	REV A
TOLERANCES UNLESS OTHERWISE SPECIFIED		UNIT MM		SIZE A3	SCALE 3:1	