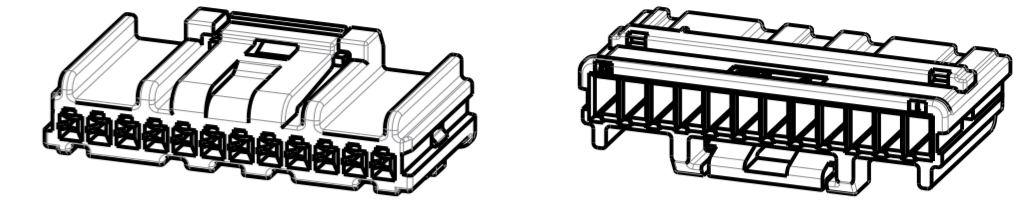
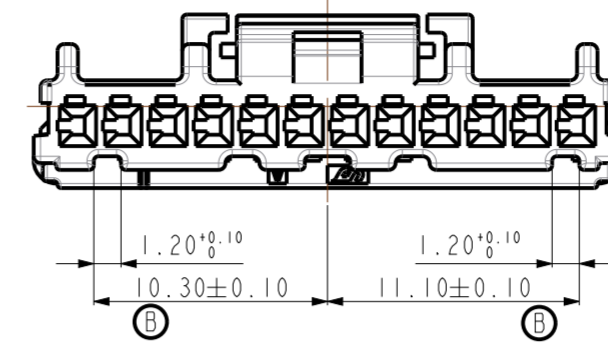
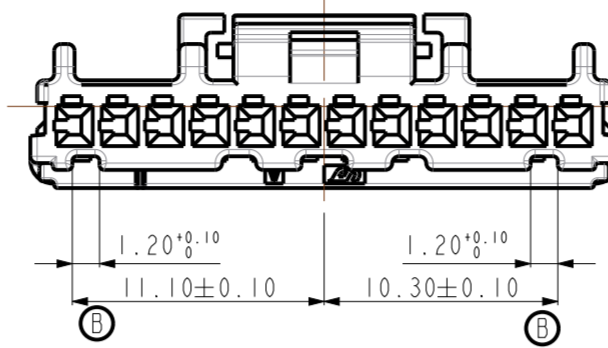
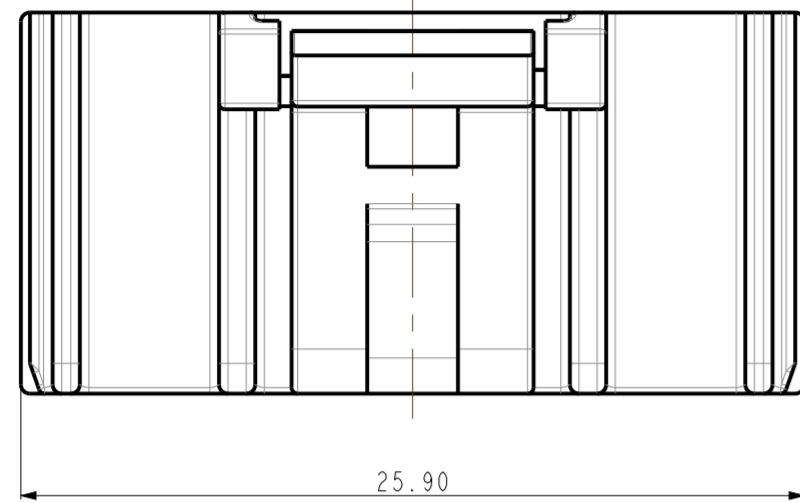


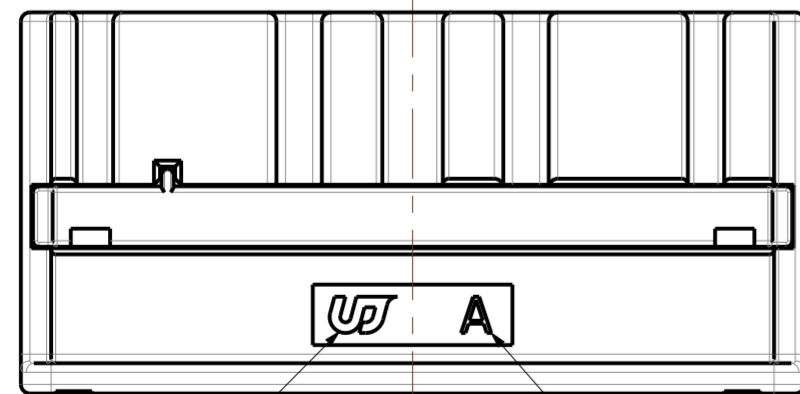
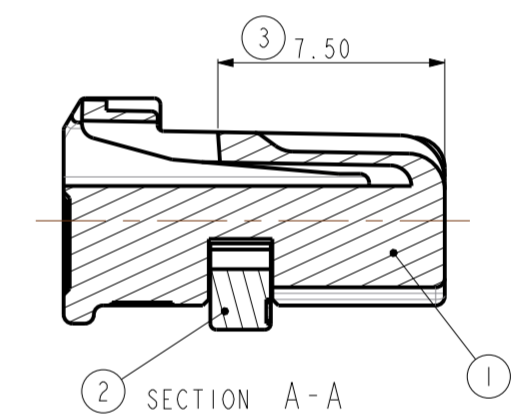
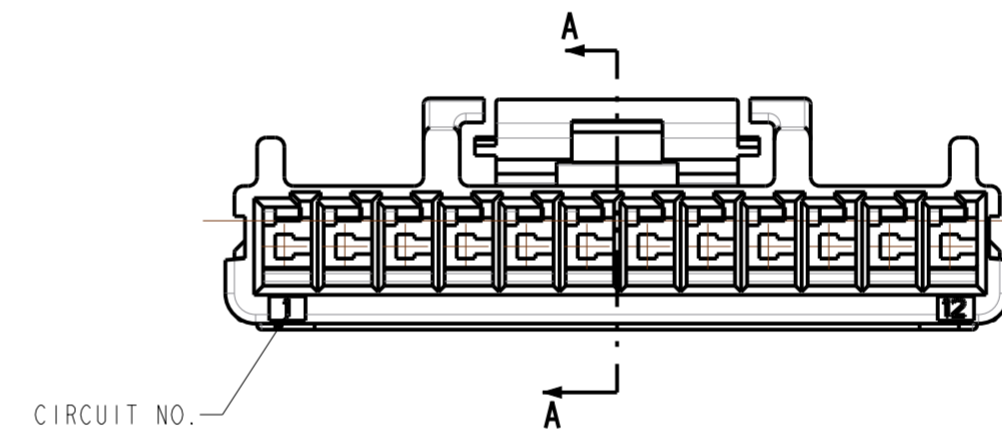
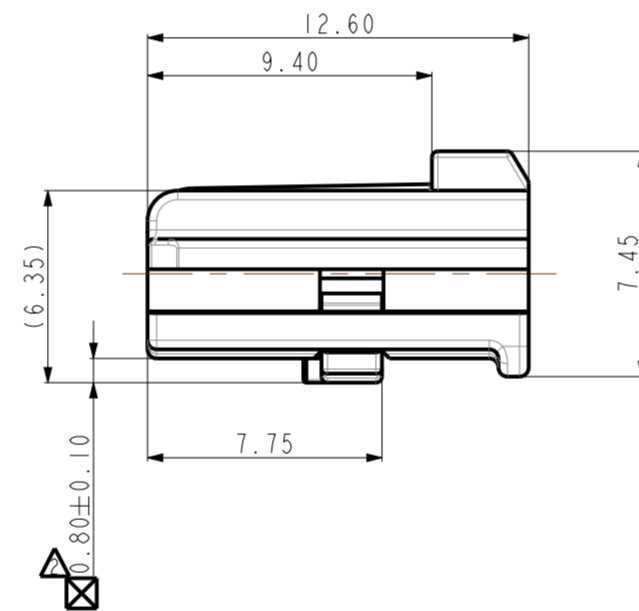
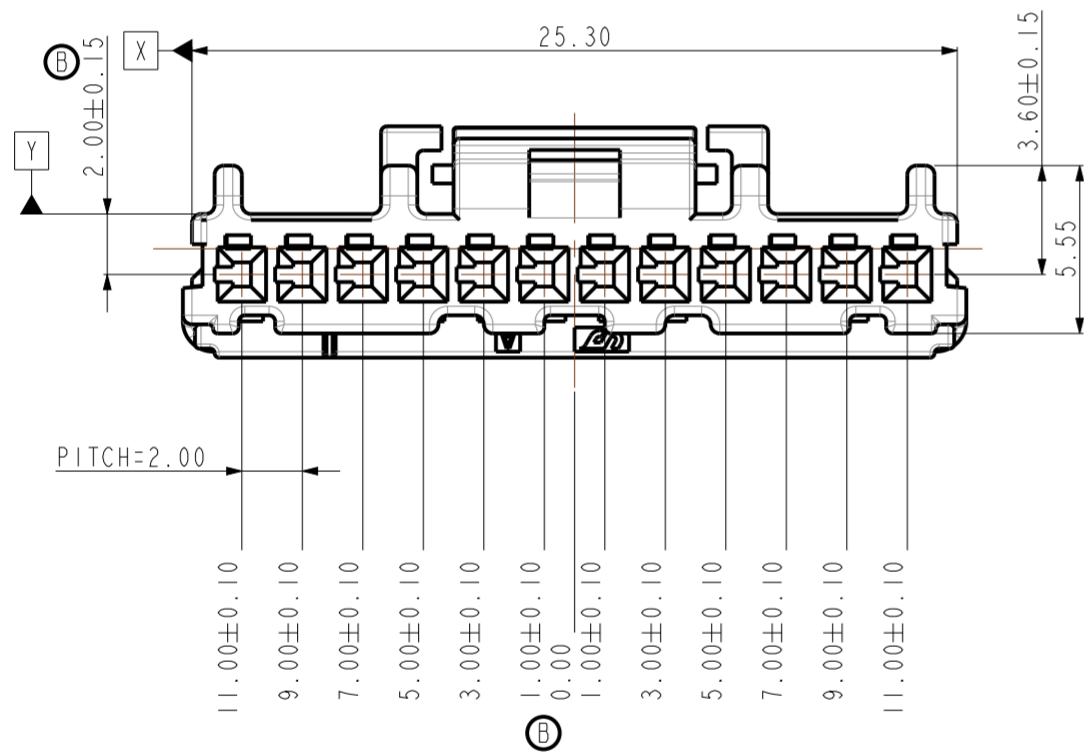
CODE A (NATURAL)

CODE B (BLACK)

REV	REVISION RECORD	DATE	DRWN	CHKD	APVD
A	RELEASED	21.JUN'19	DR	KH	CY
B	REVISED (RD-2020-029)	09.MAR'20	DR	KH	CY



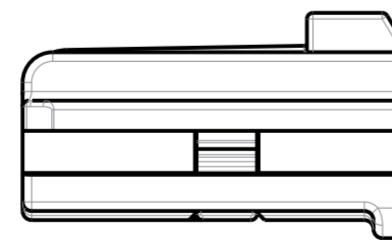
ISO VIEW



UJU LOGO.

CAVITY NO.

TPA SECONDARY LOCK POSITION



- NOTE.
- GENERAL TOLERANCE : REFER TO DIN I6742 TG6 SPECIFICATION.
 - DELIVERY CONDITION : TPA FIRST LOCK POSITION
 - BURR 0.3 MAX.
 - NO CRACK.
 - ALL LETTERS SHALL BE CLEAR AND LEGIBLE
 - PACKING : TRAY
 - APPLICABLE RECEPTACLE TERMINAL :
 - FEMALE CONTACT : 020_D_F_TML_G
 - PART NO. : KH1710007-22
 - WIRE SIZE RANGE : 0.3 ~ 0.5mm²
 - MATERIAL : C64750-H(CuNiSi-H)
 - FINISH : 0.8um Min. TIN PLATED (REFLOW) OVER 0.5um Min COPPER (MATTE)
 - FLAMMABILITY : UL94 - HB

NO	DESCRIPTION	MATERIAL	FINISH/COLOR	Q'TY
2	020_D_12P_TPA_HSG_GN	PBT GF10	GREEN	1
1	020_D_12F_HSG_BK	PBT GF10	BLACK	1
	020_D_12F_HSG_NR	PBT GF10	NATURAL	1

DRWN	DR KOO	(주)우주 일렉트로닉스 UJU Electronics co.,Ltd.
CHKD	KH PARK	
APVD	CY CHOI	
MATERIAL	SEE TABLE	NAME
FINISH/COLOR	SEE TABLE	CUSTOMER
WEIGHT	-	DRAWING NO
LOC	-	SIZE
RESTRICTED TO	-	SCALE
SIZE	A2	SHEET
SCALE	5:1	REV
SHEET	1 OF 1	
REV	B	

TOLERANCES UNLESS OTHERWISE SPECIFIED	UNIT MM
0	THIRD ANGLE PROJECTION
0.0	
0.00	
0.000	
0.0000	
ANGLES	
PRODUCT SPEC	APPLICATION SPEC
-	-

DESCRIPTION	CODE	ASS'Y P/N	REV.
020_D_12F_ASSY_BK_G	B	KH1810075-21	B
020_D_12F_ASSY_NR_G	A	KH1810075-10	B

D

C

B

A