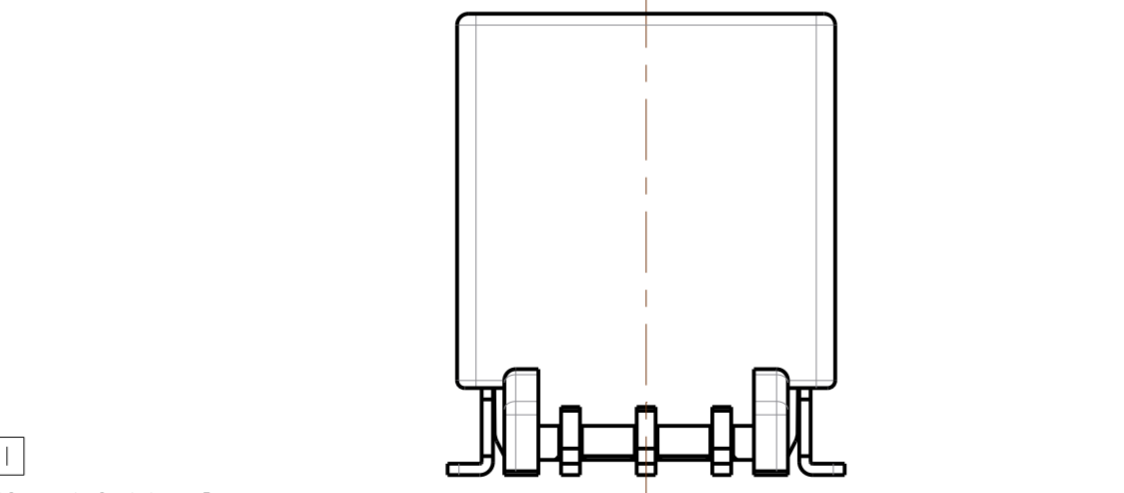
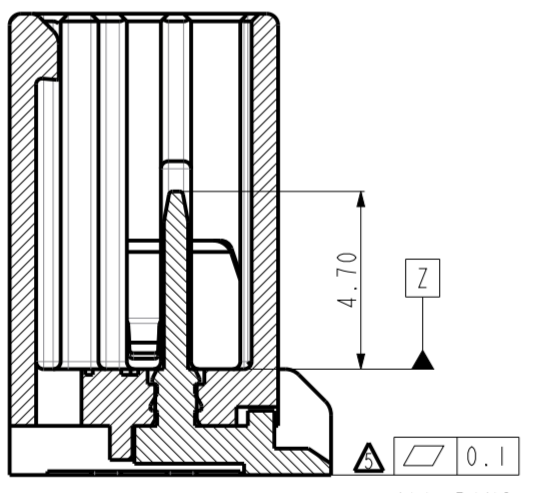
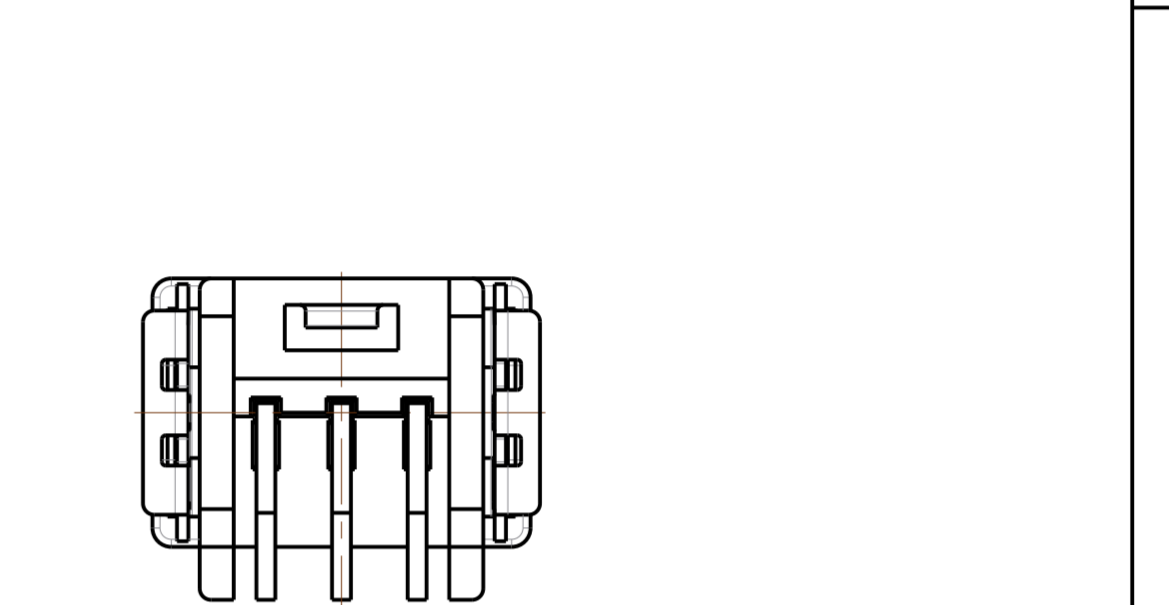
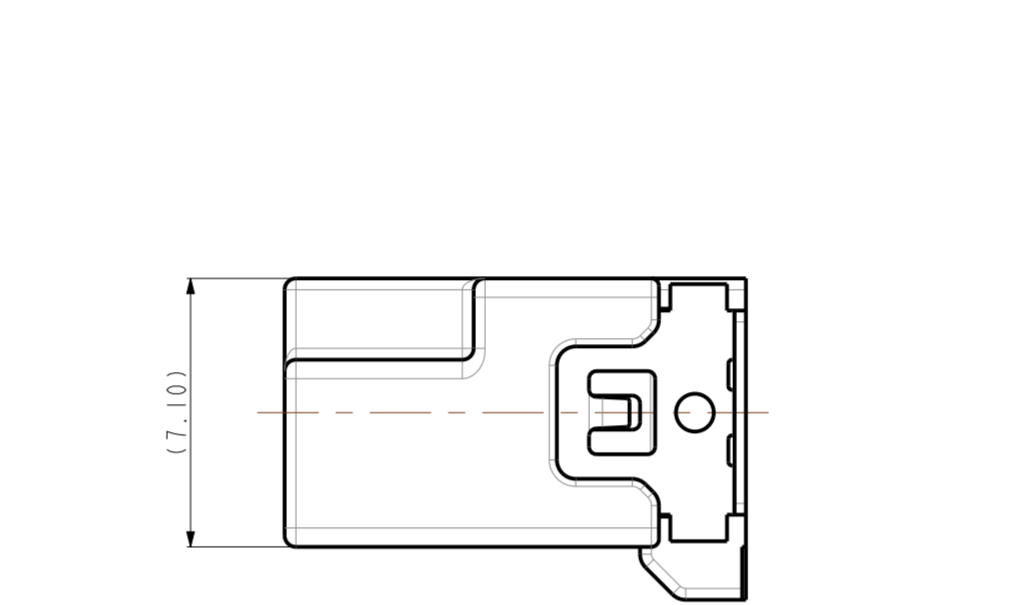
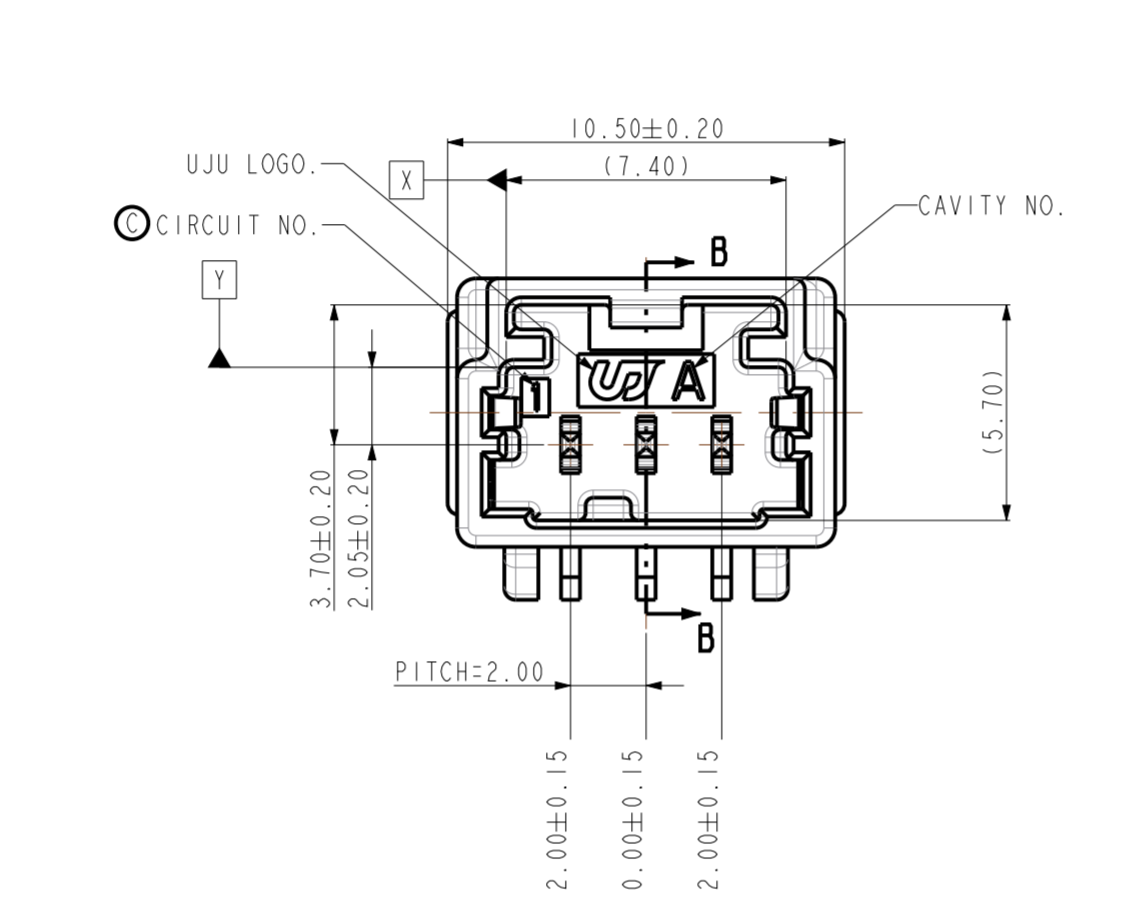
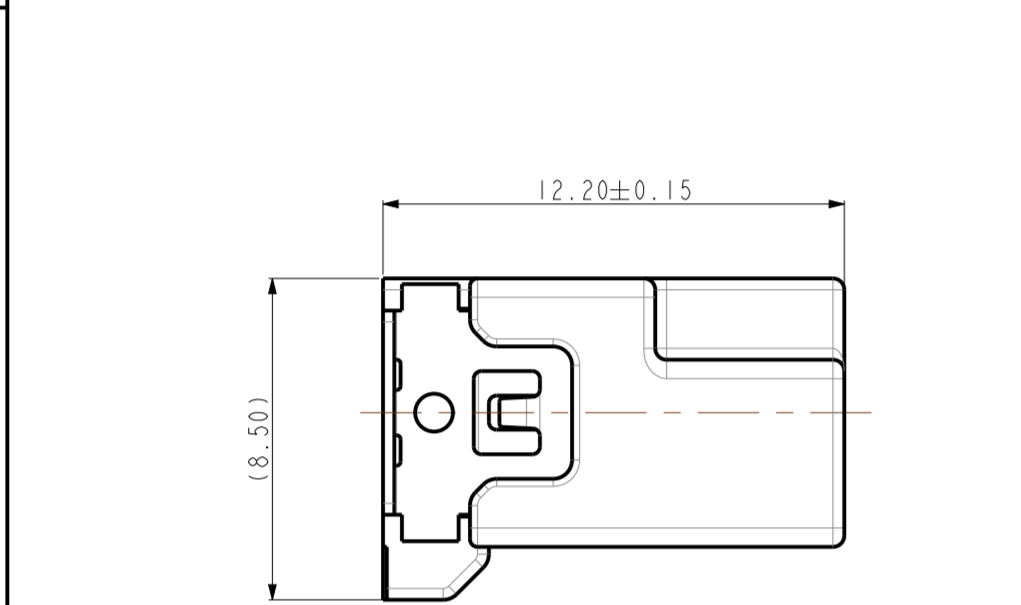
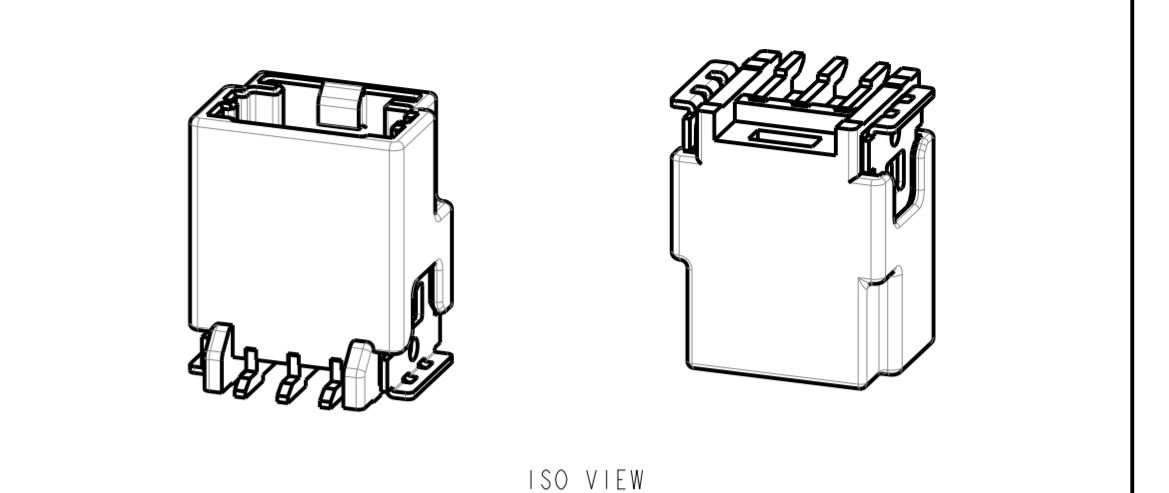
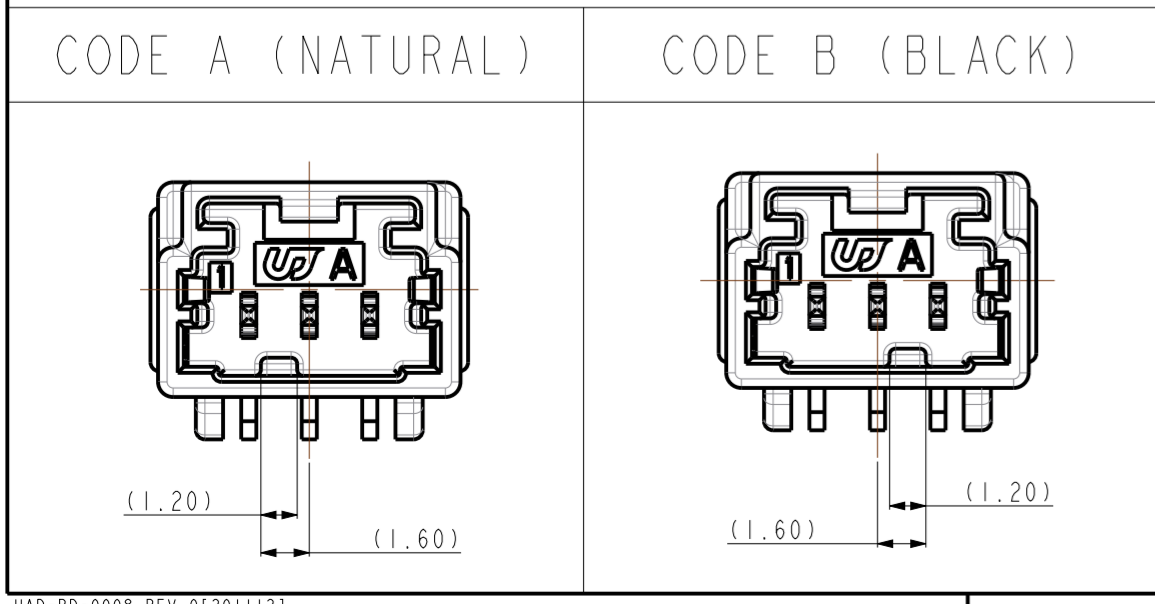


REV	REVISION RECORD	DATE	DRWN	CHKD	APVD
A	RELEASED	22.NOV.19	DR	KH	CY
B	REVISED (RD-2020-024)	25.FEB'20	DR	KH	CY
C	REVISED (RD-2020-140)	23.OCT'20	DR	KH	CY



- NOTE.
1. GENERAL TOLERANCE : ± 0.3 , $\pm 3.0^\circ$
 2. BURR SIDE IS NOT PERMITTED.
 3. NO CRACK
 4. ALL LETTERS SHALL BE CLEAR AND LEGIBLE
 5. Δ MEASURING THE DIMENSIONS OF TAB TML AND SOLDER PEG.
 6. VACUM GRIP AREA FREE OR BURR AND FECTOR PINS. MAX $\varnothing 4.0$ mm



NO	DESCRIPTION	MATERIAL	FINISH/COLOR	Q'TY
5	020_D_COVER_HSG_BK	LCP	BLACK	1
4	020 SMT SOLDER PEG-L (VTC)	BRASS	POST-TIN	1
3	020 SMT SOLDER PEG-R (VTC)	BRASS	POST-TIN	1
2	020 SMT TAB TML (VTC)	BRASS	POST-TIN	3
1	020_D_SMT_3M_V_HSG_BK	PA9T GF30	BLACK	1
1	020_D_SMT_3M_V_HSG_NR	PA9T GF30	NATURAL	1

DRWN	DR KOO	(주)우주 일렉트로닉스 UJU Electronics co.,Ltd.	NAME						
CHKD	KH PARK		020_D_SMT_3M_V_ASSY						
APVD	CY CHOI		CUSTOMER	DRAWING NO					
TOLERANCES UNLESS OTHERWISE SPECIFIED 0 ± 0.0 ± 0.00 ± 0.000 ± 0.0000 ± ANGLES ± PRODUCT SPEC -	UNIT	MATERIAL	WEIGHT	LOC	RESTRICTED TO	SIZE	SCALE	SHEET	REV
	MM	SEE TABLE	-	-	-	A2	5:1	1 OF 1	C
THIRD ANGLE PROJECTION									
APPLICATION SPEC									