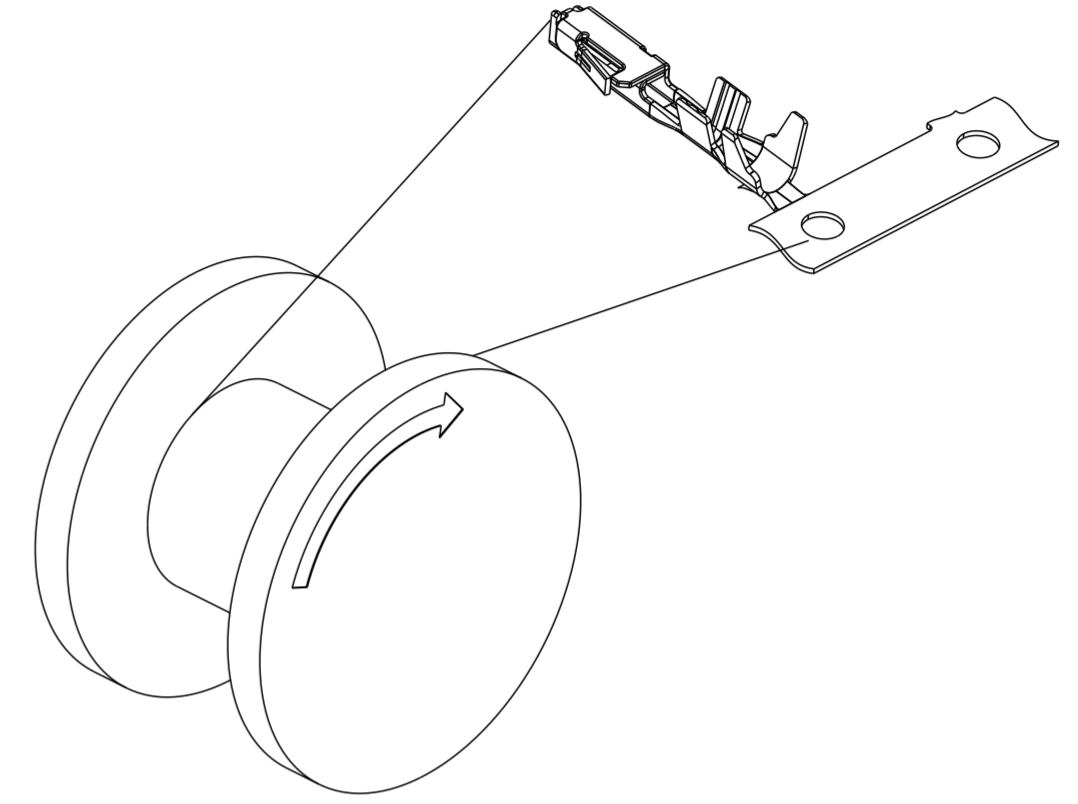
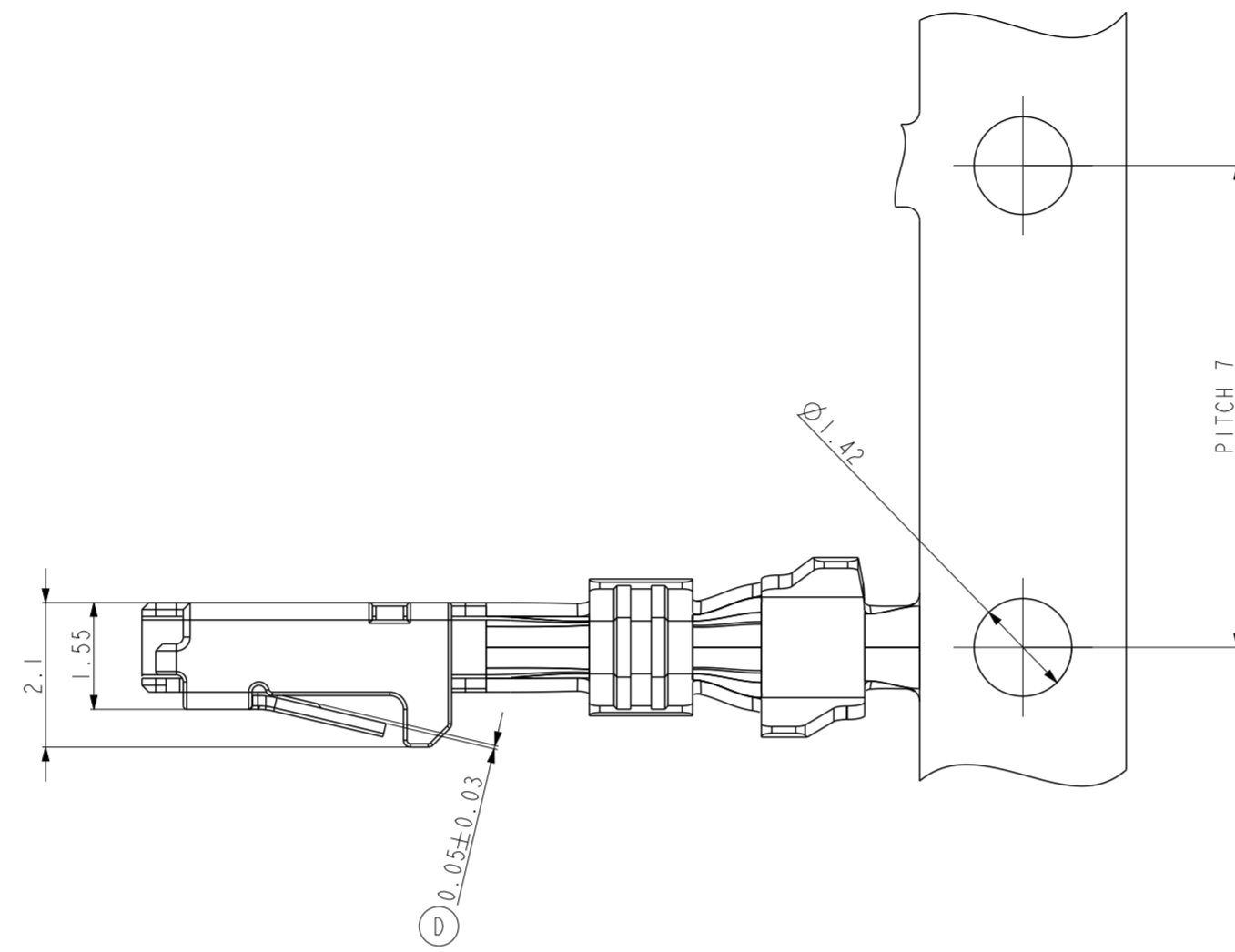
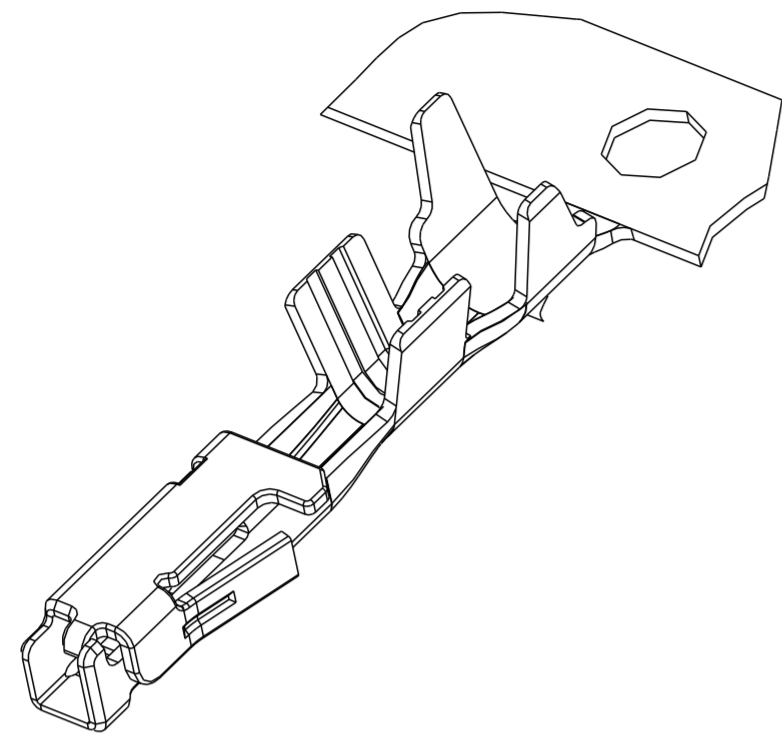
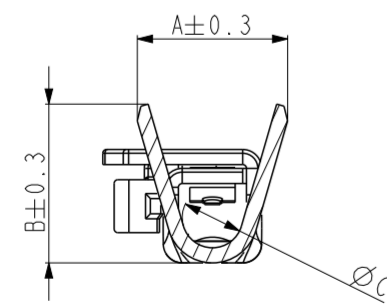
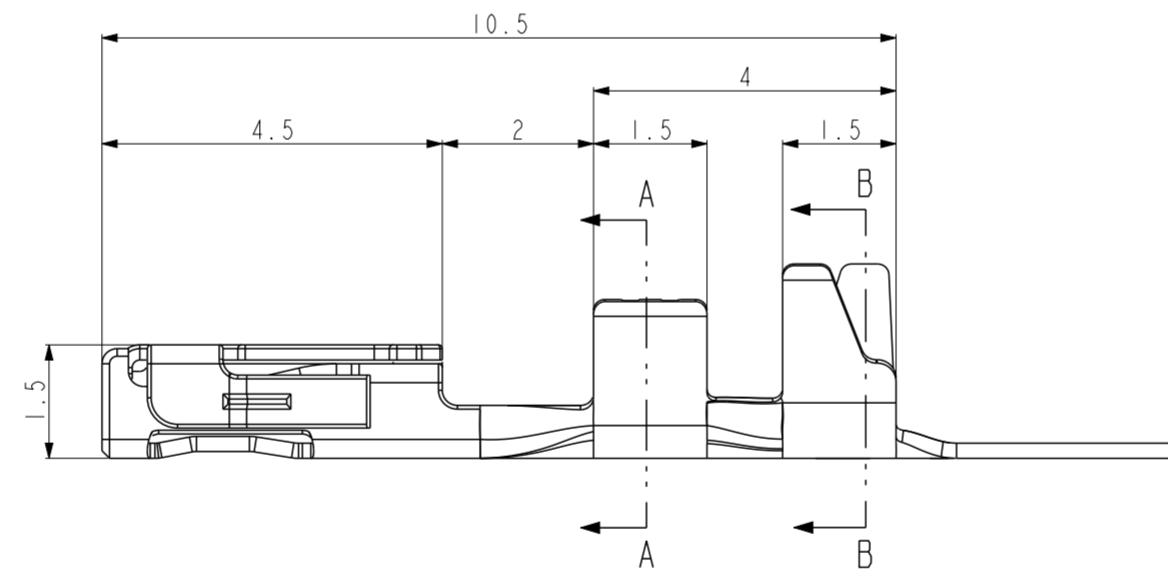
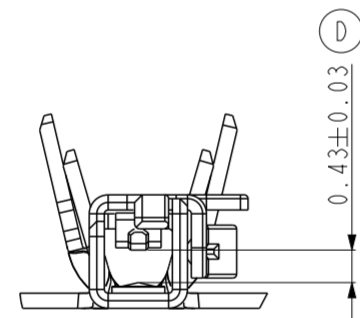


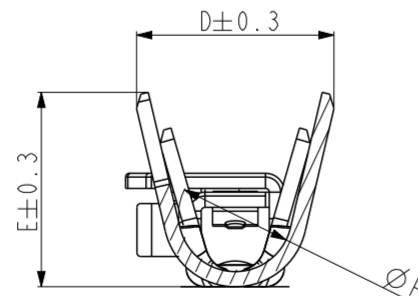
REV	REVISION RECORD	DATE	DRWN	CHKD	APVD
A	RELEASED	27. JUN '18	SH	KH	MJ
B	REVISED(RD-2018-074)	12. SEP '18	DR	SH	MJ
C	REVISED(RD-2018-107)	07. FEB '19	SH	KH	CY
D	REVISED(RD-2019-069)	09. MAY '19	SH	KH	CY
E	REVISED(RD-2021-136)	09. SEP '21	DR	KH	CY
F	REVISED(RD-2021-225)	03. DEC '21	KC	KH	CY
G	REVISED(RD-2022-019)	11. FEB '22	KC	KH	CY



UNWINDING DIRECTION ON THE TOP OF REEL



SECTION A-A



SECTION B-B

NOTES:

1. GENERAL TOLERANCE: ± 0.2 , ANGLE $\pm 3^\circ$
2. NO CABLE SEAL APPLICATIONS
3. MATING TAB THICKNESS: 0.5MM

PART NO.	FINISH	DISCRIPTION	WIRE RANGE	A	B	C	D	E	F	STRIP LENGTH	CCW ± 0.05	CCH ± 0.03	ICW ± 0.1	ICH												
KHI700007-30	Pre-Au/Sn	020_D_F_TML	0.22	1.6	1.6	0.6	2.15	2.1	1.5	2.6 ± 0.1	1.15	0.71	1.6	1.4 MAX												
KHI700007-20	Pre_Sn																									
KHI700007-32	Pre-Au/Sn														0.5	2.1	2.1	0.9	2.6	2.6	1.6	2.6 ± 0.1	1.4	0.83	2.1	1.4 MAX
KHI700007-22	Pre-Sn														0.35							2.6 ± 0.1	1.4	0.83	2.2	1.4 MAX
			0.3																							

TOLERANCES UNLESS OTHERWISE SPECIFIED	UNIT MM
0	THIRD ANGLE PROJECTION
0.0	
0.00	
0.000	
0.0000	
ANGLES	
PRODUCT SPEC	APPLICATION SPEC

DRWN	KC.HAN
CHKD	KH.PARK
APVD	CY.CHOI
MATERIAL	COPPER ALLOY
FINISH/COLOR	SEE TABLE
WEIGHT	0.11

(주)우주 일렉트로닉스 UJU Electronics co.,Ltd.		NAME		DRAWING NO	
		020(0.5MM) D FEMALE TERMINAL		KHI700007	
LOC	RESTRICTED TO	SIZE	SCALE	SHEET	REV
		A2	10:1	1 OF 1	G