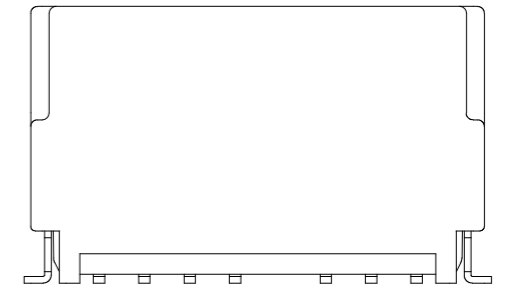
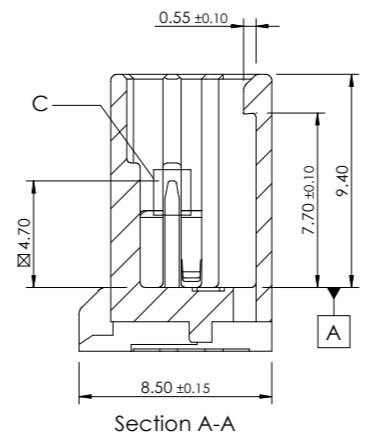
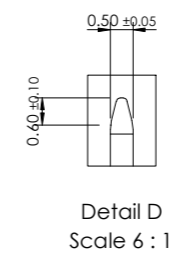
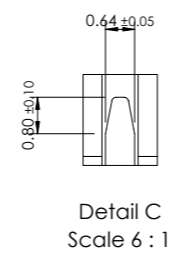
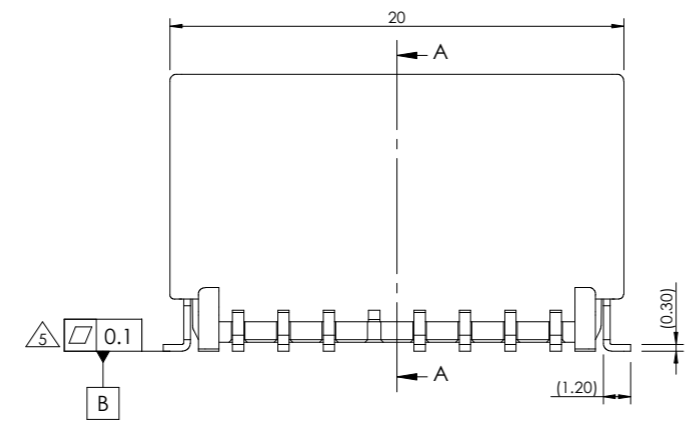
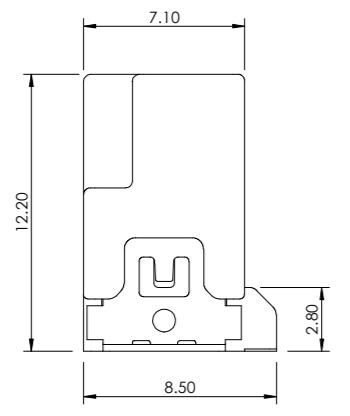
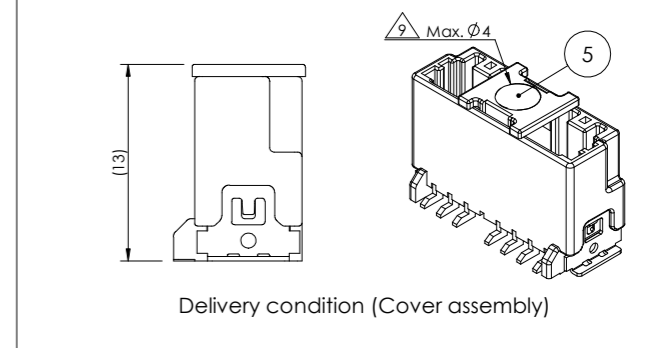
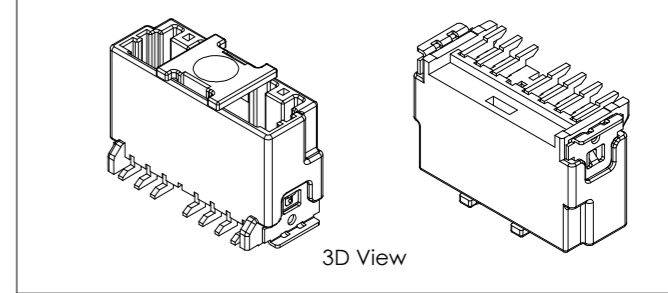
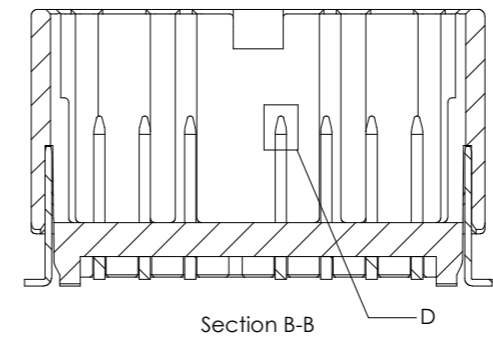
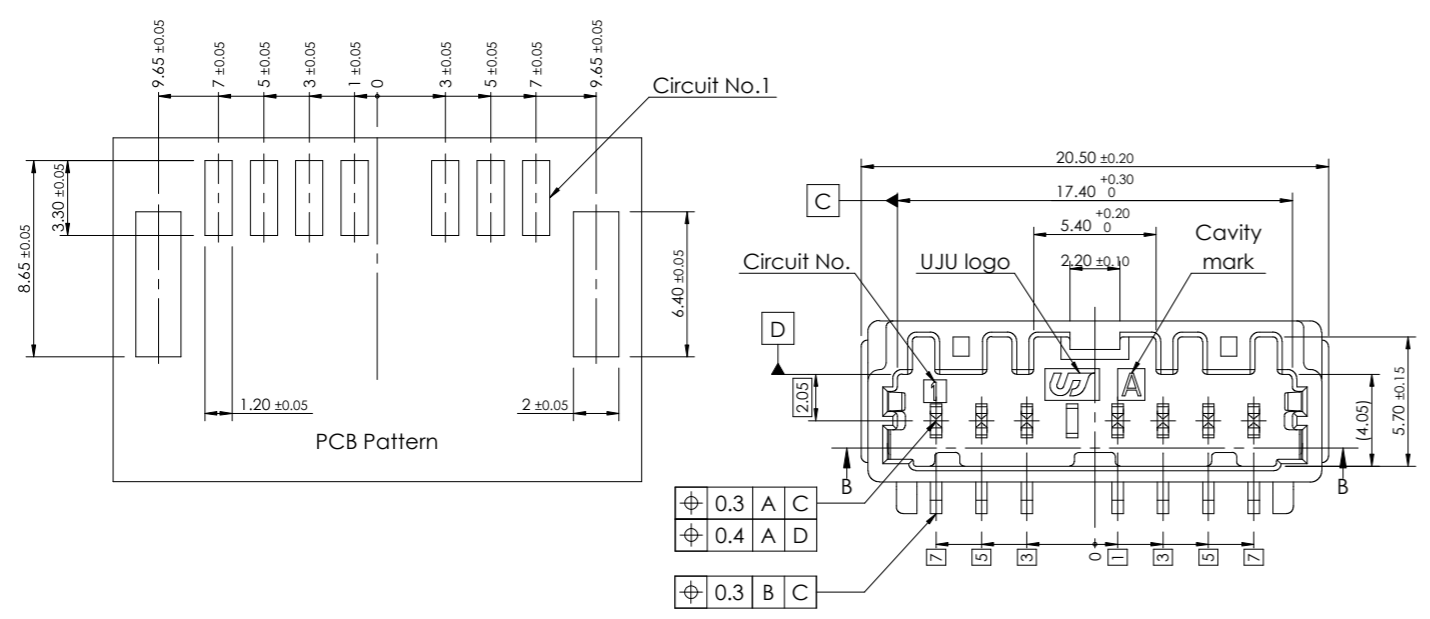
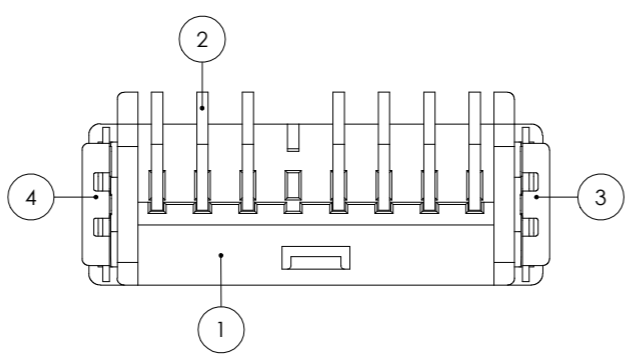
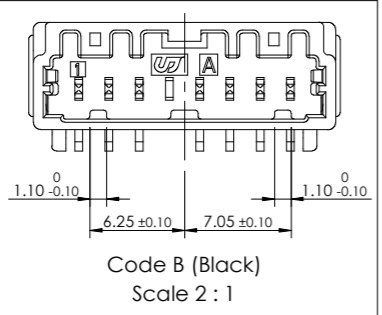
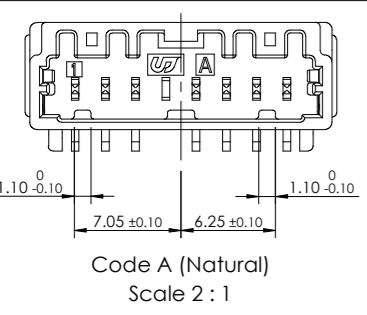


REV	REVISION RECORD	DATE	DRWN	CHKD	APVD
A	RELEASED (RD-2020-100)	08 JUL '20	JK	KH	CY
B	RELEASED (RD-2020-137)	20 OCT '20	JK	KH	CY



Description	Part No.	Code
020_D_C_SMT_7M_V_ASSY_BL_G	-	D
020_D_C_SMT_7M_V_ASSY_BR_G	-	C
020_D_C_SMT_7M_V_ASSY_BK_G	KH1910061-21	B
020_D_C_SMT_7M_V_ASSY_NR_G	KH1910061-10	A



-Note-

- General tolerance : Refer to DIN 16742 TG5 specification.
- Burr Max.0.3
- No crack
- All letters shall be clear and legible.
- Measuring the dimensions of Tab TML and Solder Peg.
- Finish Tab TML and Solder Peg  
- Sn plating 2.5~4.0 $\mu$ m (matte) over Ni 1.0~2.0 $\mu$ m
- Packing : Emboss tape
- Flammability : UL94-HB
- Vacuum grip area free of burr and factor pins, Max. $\varnothing 4.0$
- Matching part  
- KH1910021 (020\_D\_C\_7F\_ASSY\_G)

No.	Description	Material	Finish / Color	Q'ty
5	020_D_SMT_Cover_BK	LCP (E471i)	Black	1 1 1 1
4	020 SMT Solder Peg VTC-L	Copper alloy	Post-Sn	1 1 1 1
3	020 SMT Solder Peg VTC-R	Copper alloy	Post-Sn	1 1 1 1
2	020 SMT Tab TML VTC	Copper alloy	Post-Sn	7 7 7 7
1	020_D_SMT_8M_V_HSG_BL	PA9T-GF30	Blue	1 - - -
	020_D_SMT_8M_V_HSG_BR	PA9T-GF30	Brown	- 1 - -
	020_D_SMT_8M_V_HSG_BK	PA9T-GF30	Black	- - 1 -
	020_D_SMT_8M_V_HSG_NR	PA9T-GF30	Natural	- - - 1

On request, development is scheduled.

Code C (Brown) Scale 2 : 1

On request, development is scheduled.

Code D (Blue) Scale 2 : 1

TOLERANCES UNLESS OTHERWISE SPECIFIED	UNIT MM
0 ±	THIRD ANGLE PROJECTION
0.0 ±	
0.00 ±	
0.000 ±	
0.0000 ±	
ANGLES ±	
PRODUCT SPEC	APPLICATION SPEC

DRWN JK. HWANG	CHKD KH. PARK	APVD CY. CHOI	NAME <b>020_D_C_SMT_7M_V_ASSY_G</b>			
MATERIAL SEE TABLE			CUSTOMER DRAWING KH1910061			
FINISH/COLOR SEE TABLE			LOC	RESTRICTED TO	SIZE A3	SCALE 3:1
WEIGHT			SHEET 1 of 1	REV B		