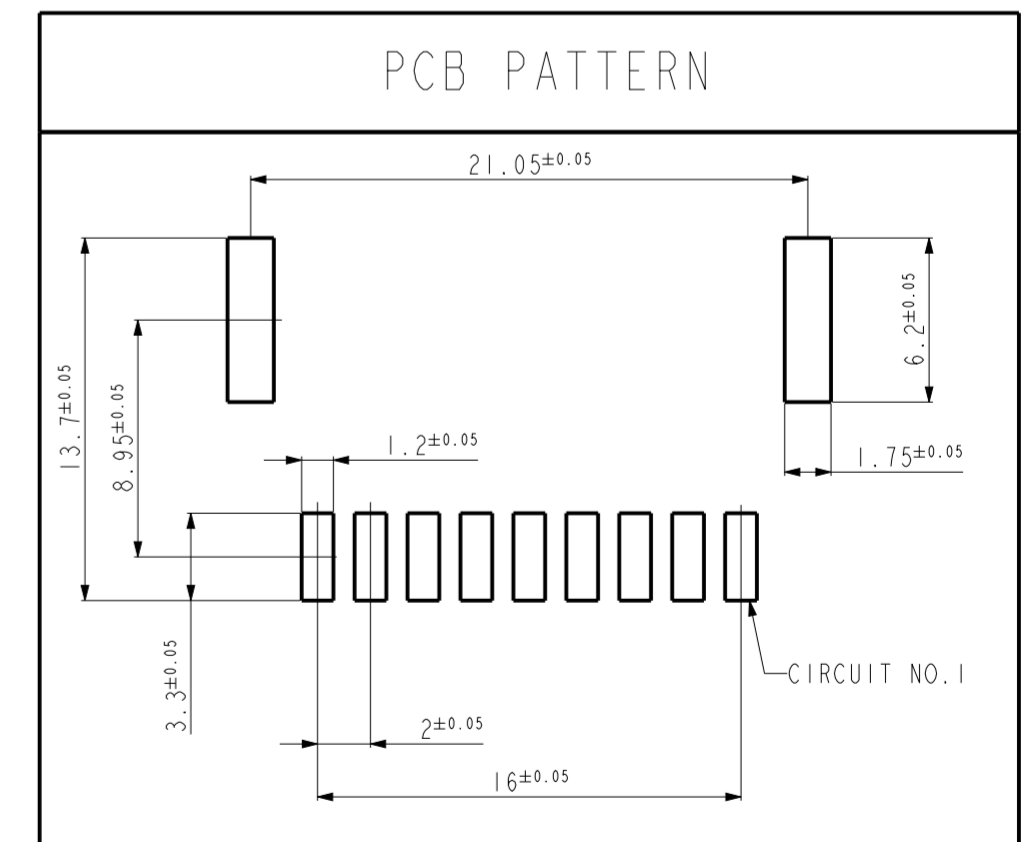
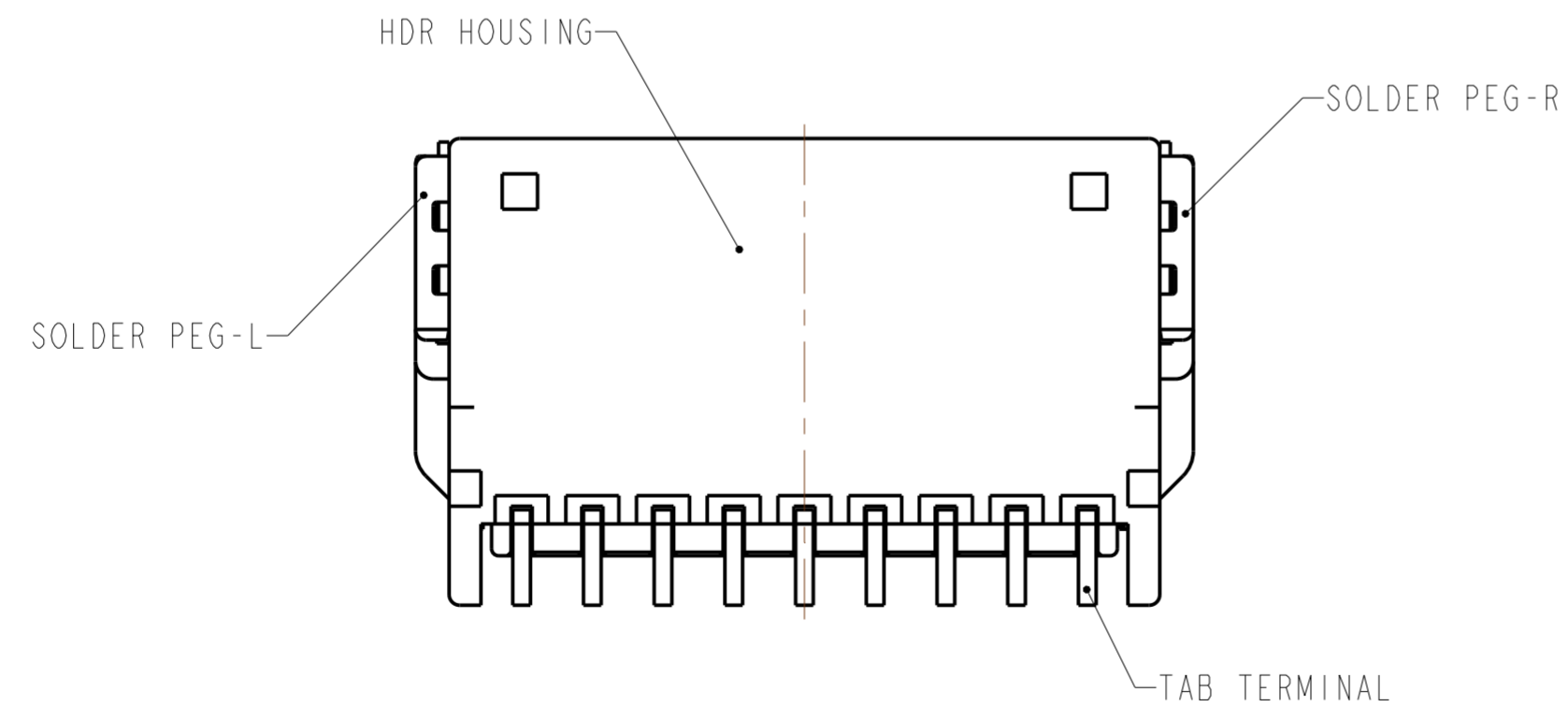
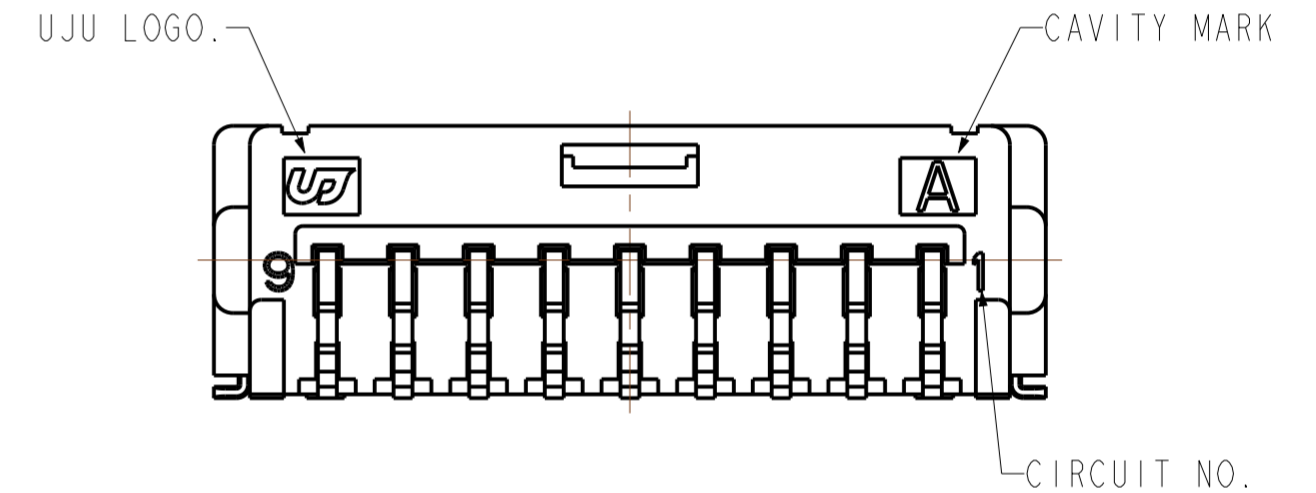
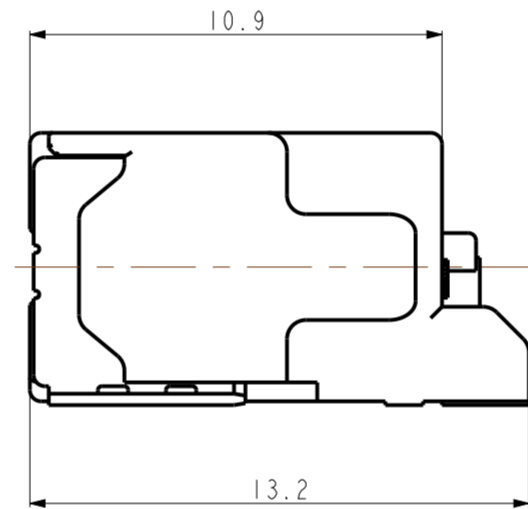
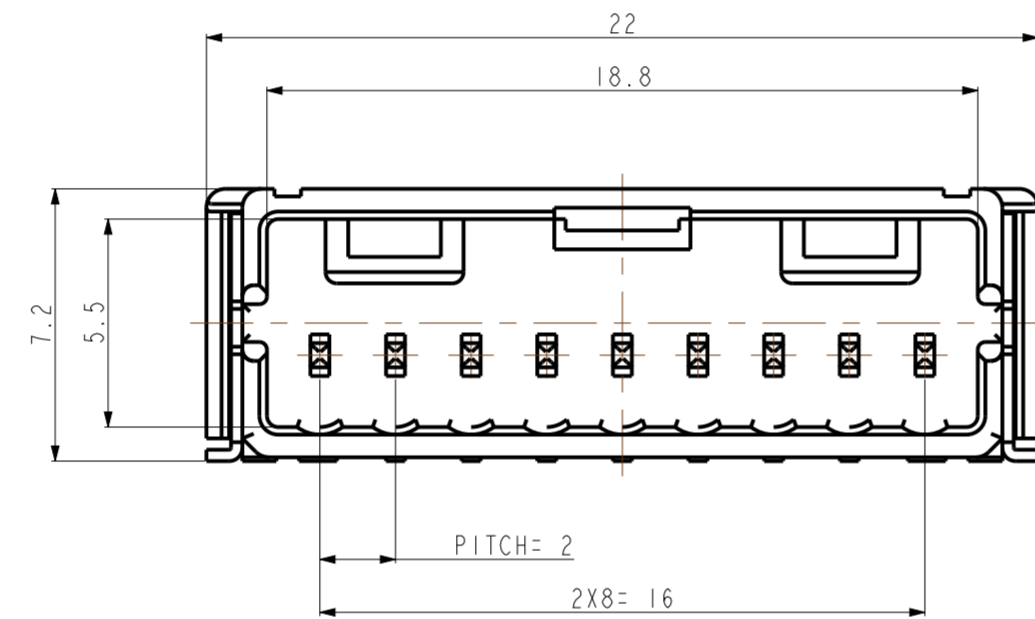
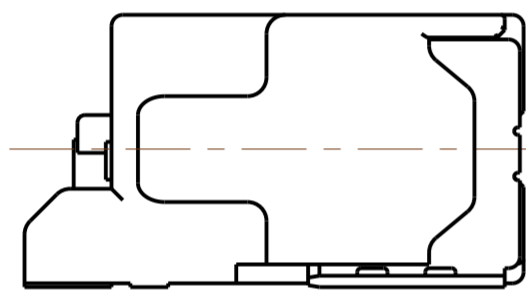
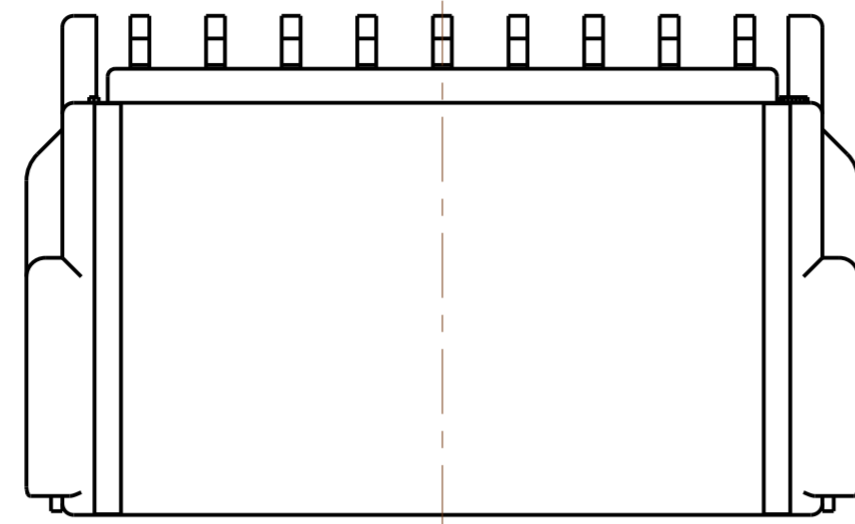
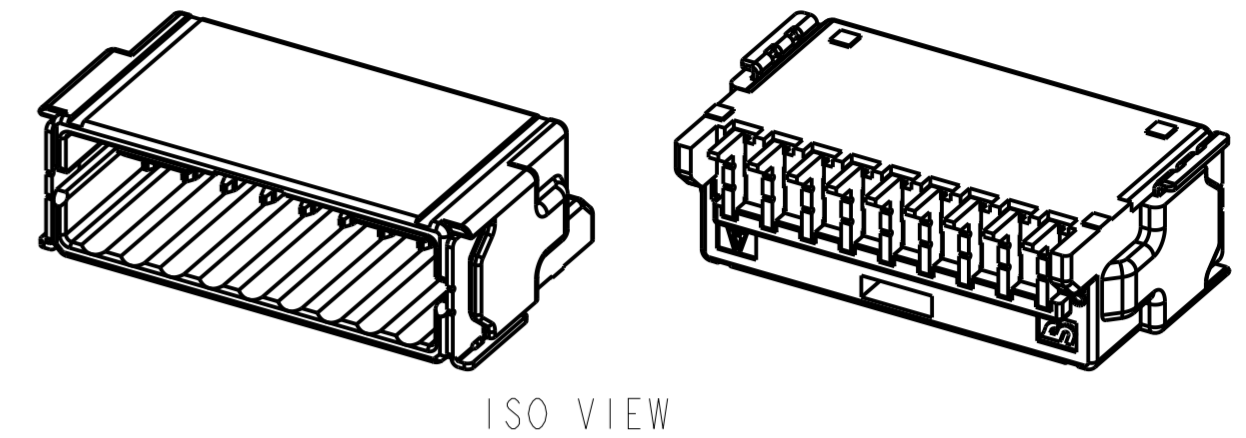


REV	REVISION RECORD	DATE	DRWN	CHKD	APVD
A	RELEASED	20.FEB'14	BW	-	SJ
B	REVISED (RD-2020-116)	04.SEP'20	DR	KH	CY



NOTE
 1. GENERAL TOLERANCE : $\pm 0.3, \pm 3^\circ$
 2. HSG DESCRIPTION : SEE TABLE-1
 3. MATERIAL
 - HDR HSG : LCP
 - SOLDER PEG : BRASS, POST-TIN
 - TAB TML : BRASS, POST-TIN

TABLE - 1

DESCRIPTION	PART NO.	POS	COLOR
020 9M SMT HDR ASSY(HZT)	KHI400001-60	9	RED
020 9M SMT HDR ASSY(HZT)	KHI400001-20	9	BLACK
020 9M SMT HDR ASSY(HZT)	KHI400001-10	9	NATURAL

TOLERANCES UNLESS OTHERWISE SPECIFIED	UNIT MM
0.0	THIRD ANGLE PROJECTION
0.00	
0.000	
0.0000	
ANGLES	
PRODUCT SPEC	APPLICATION SPEC

DRWN	DR KOO	(주)우주 일렉트로닉스 UJU Electronics co.,Ltd.	NAME			
CHKD	KH PARK		020 9M SMT HDR ASSY (HZT)_Au			
APVD	CY CHOI		CUSTOMER DRAWING	DRAWING NO		
MATERIAL		SEE TABLE-1		KHI700020		
FINISH/COLOR		SEE TABLE-1		LOC	RESTRICTED TO	
WEIGHT		SIZE	SCALE	SHEET	REV	
		A2	5:1	1 OF 1	B	