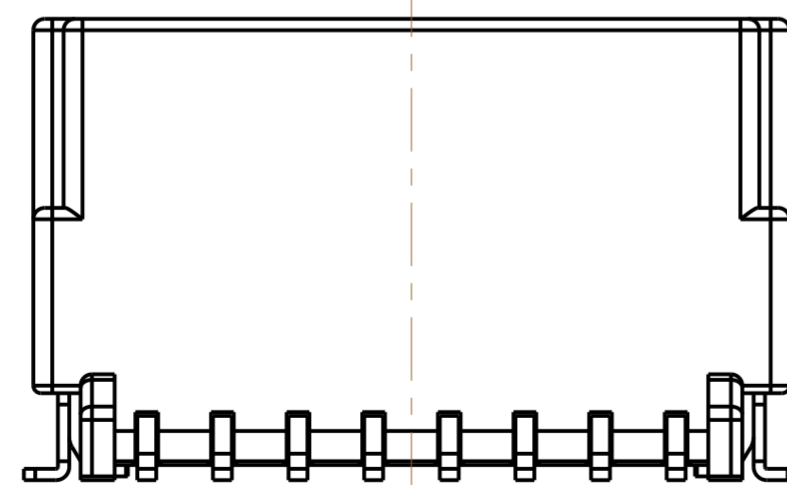
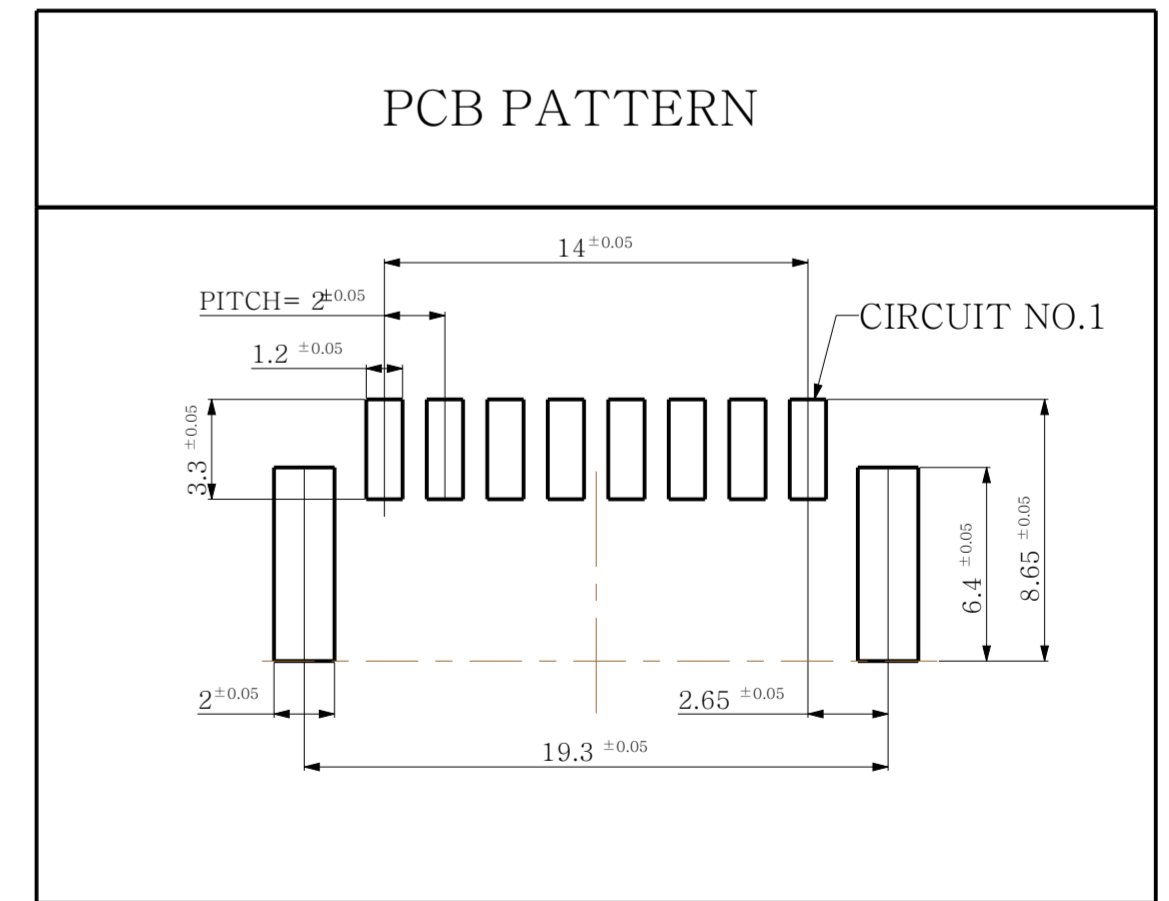
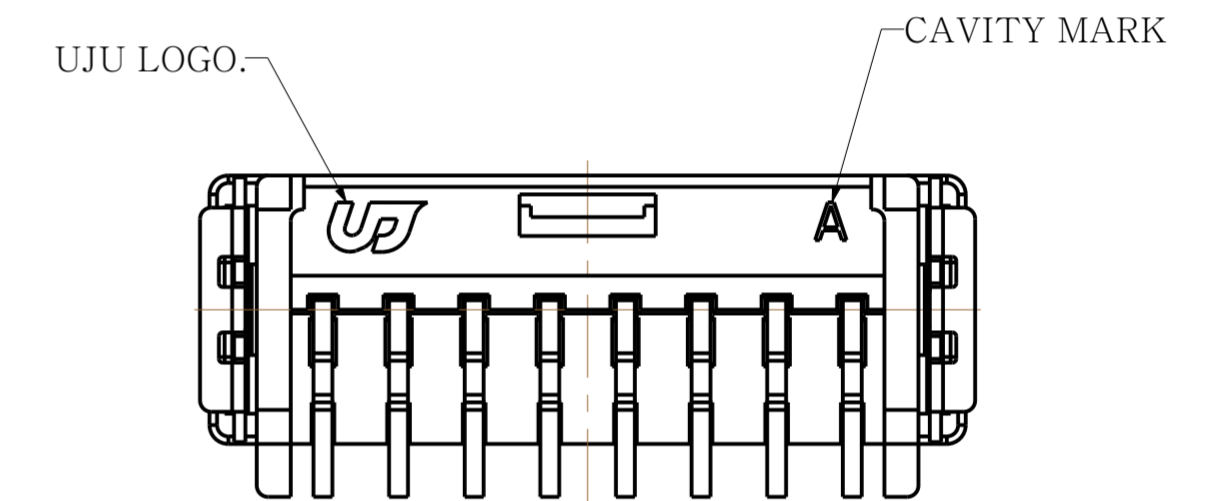
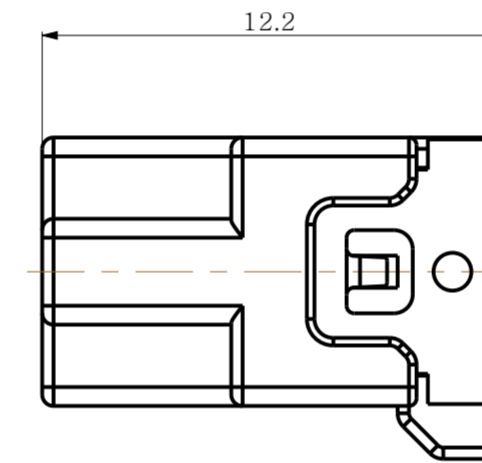
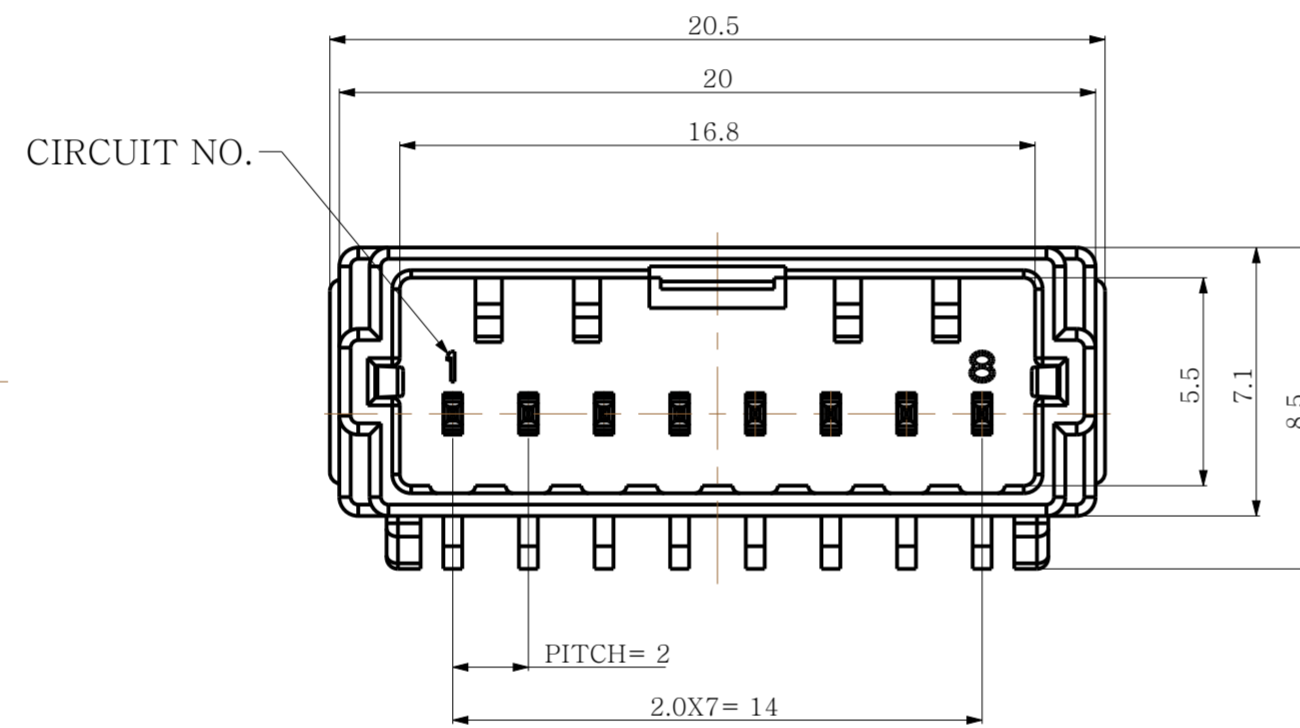
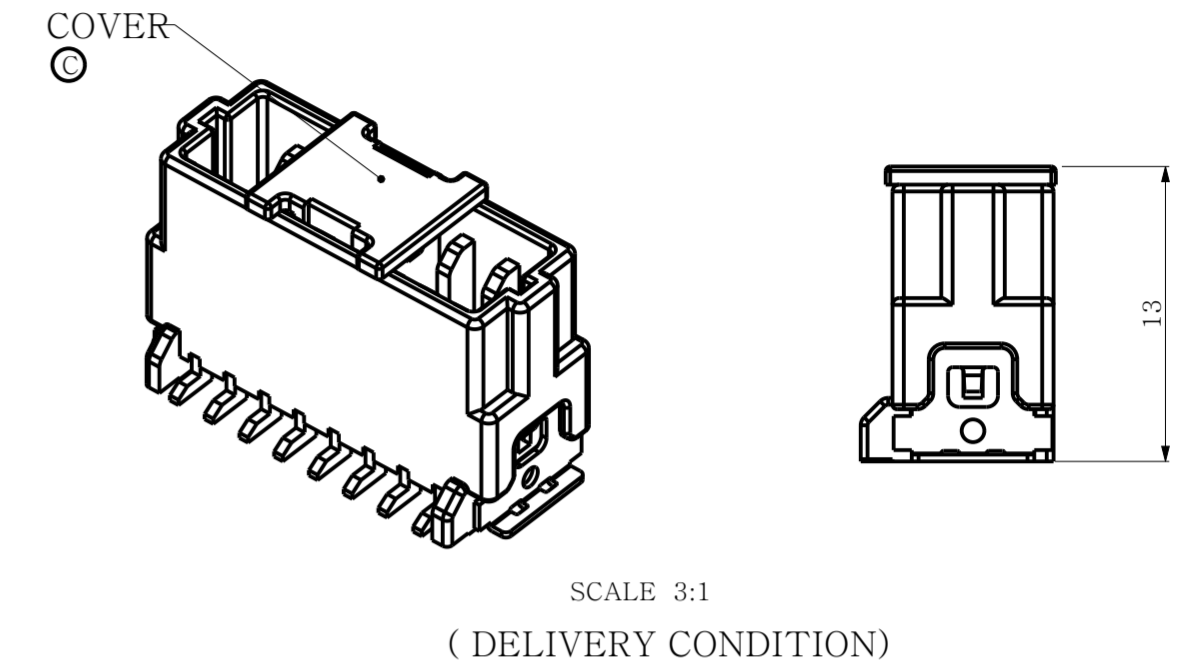
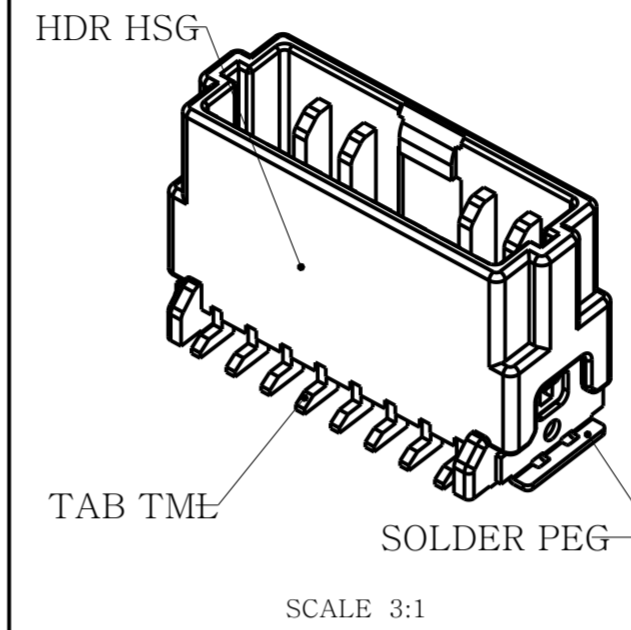
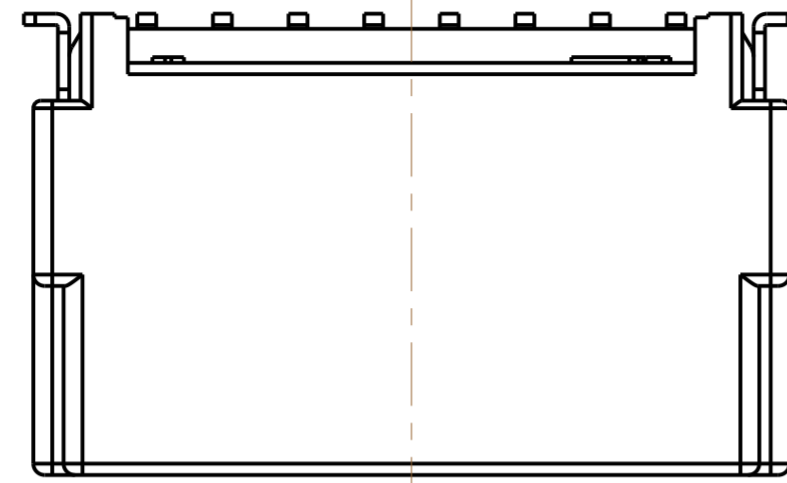


REV	REVISION RECORD	DATE	DRWN	CHKD	APVD
A	RELEASED	23.JUL'13	GR		SJ
B	REVISED(RD-2018-068)	22.AUG'18	KH	SH	MJ
C	REVISED(RD-2019-049)	2019.03.29	KH	SH	CY

ASSEMBLY WITHOUT COVER

ASSEMBLY WITH COVER



- NOTE.
- GENERAL TOLERANCE : $\pm 0.3, \pm 3.0^\circ$
 - HSG DESCRIPTION : SEE TABLE-1
 - MATERIAL
 - HDR HSG : LCP
 - SOLDER PEG : COPPER ALLOY, POST-TIN
 - TAB TML : COPPER ALLOY, POST-TIN
 - ⊕ COVER : LCP(BLACK)

TABLE-1

DESCRIPTION	PART NO.	POS	MATERIAL/COLOR
020 8M SMT HDR ASSY (VTC)	KH1300008-20	8	LCP/BLACK
	KH1300008-10	8	LCP/NATURAL

TOLERANCES UNLESS OTHERWISE SPECIFIED 0 ± 0.0 ± 0.00 ± 0.000 ± 0.0000 ± ANGLES ±	UNIT MM
	THIRD ANGLE PROJECTION
	APPLICATION SPEC
	PRODUCT SPEC

DRWN KH.PARK	(주)우주일렉트로닉스 UJU Electronics co.,Ltd.
CHKD SH.LEE	
APVD MJ.BANG	
MATERIAL SEE TABLE-1	NAME 020 8M SMT HDR ASSY (VTC)
FINISH/COLOR SEE TABLE-1	CUSTOMER DRAWING
WEIGHT	DRAWING NO. KH1300008
LOC	RESTRICTED TO
SIZE A2	SCALE 5:1
SHEET 1 OF 1	REV C